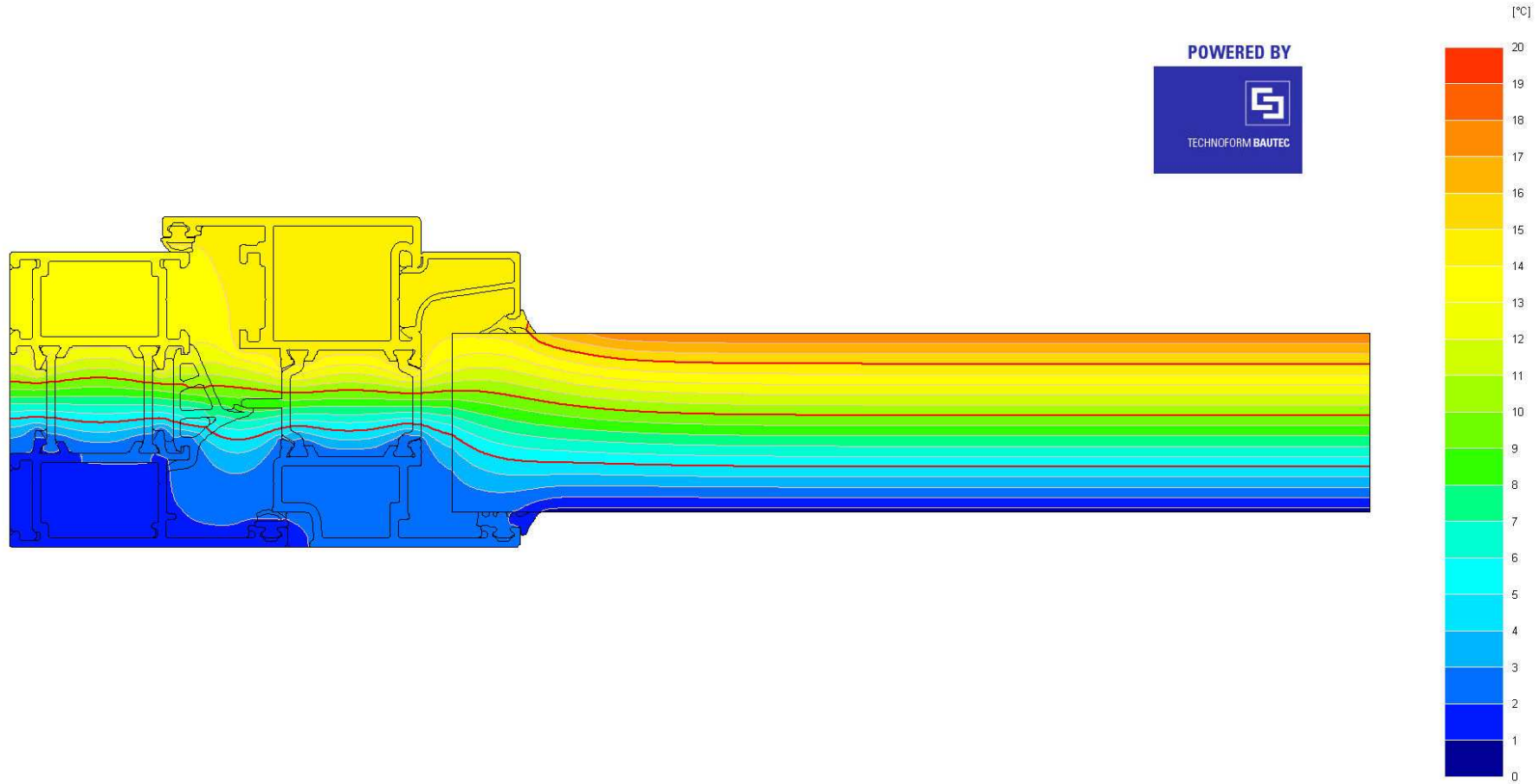




Thermal performance

■ Castle19'66 W+



$$U_f = 2,63 \text{ W/m}^2\text{K}$$