

PERFORMANCE TEST REPORT

Air Permeability, Water Tightness, Under Static Pressure and
Resistance to Wind Load

Test Report No: 010.002.1 / 2010



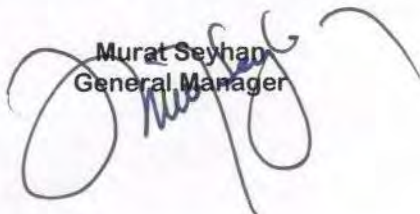
Rendered to	: Kurtoğlu Alüminyum Bakır K.San.Tic	Norms Applied	: EN 1026
			: EN 1027
			: EN 12211
Product	: WINDOW 54T		:
		Classification Norms	: EN 12207
			: EN 12208
			: EN 12210
Sample Size	: 800 mm x 1200 mm		:
Sample Description	: Tilt & Turn spandrel (800x1200 mm)		:
	: 4/16/4 Double Glass		:
	:	Test Comp. Date	: 17/04/2010
Test Performed	: Air Permeability - Static	Report Date	: 18/04/2010
	: Water Tightness - Static	Record Retention Date	: 18/04/2013
	: Wind Resistance - Static	Number of Pages	: 10
		Number of Annex Pages	: 5+3

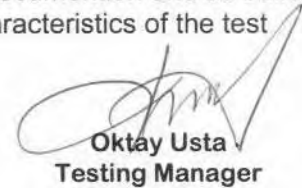
Test Results : The Test sample performed in accordance of to following classifications

Air Penetration	: EN 12207 Class 4
Water Tightness	: EN 12208 7A (300Pa)
Wind Resistance	: EN 12210

* Calibration of the test equipments certified by CEBTP / France referenced to report
BEB1-9-2024-1/2

**This Test Report includes spesific test data, results, photographic documentation and as build
drawings of the sample submitted for testing and at tests only the characteristics of the test
sample and does not prejudice the characteristic products

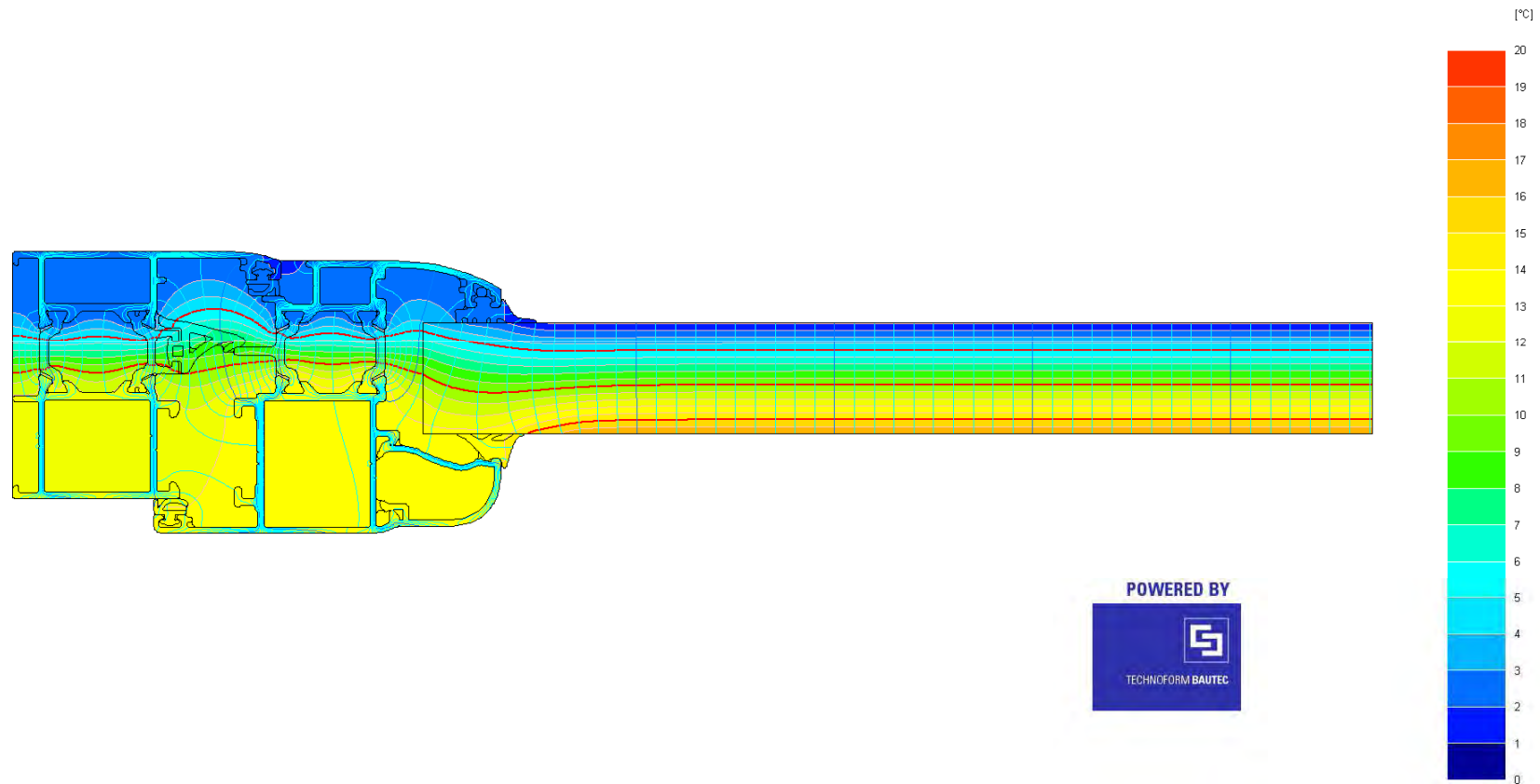

Murat Seyhan
General Manager


Oktay Usta
Testing Manager



Thermal performance

■ 54T



$$U_f = 2.89 \text{ W/m}^2\text{K}$$