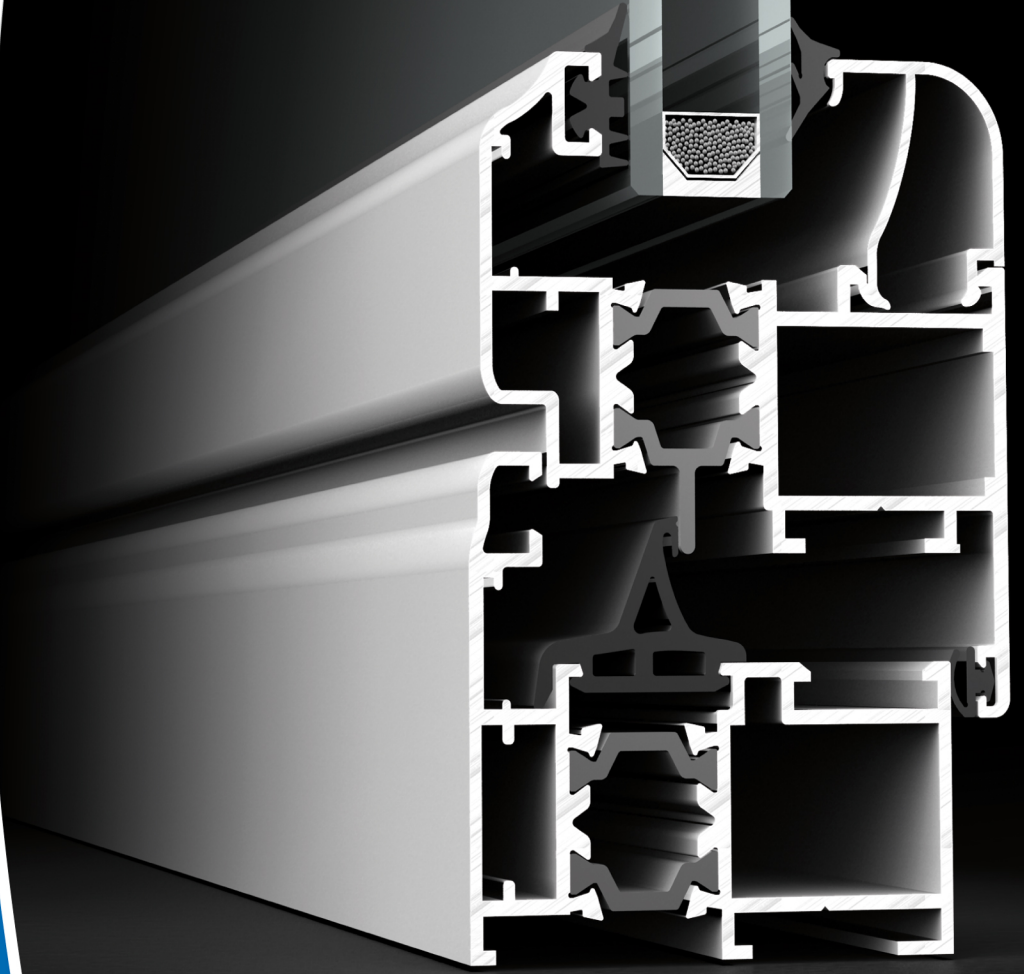


EDITION / VERSİYON  
09/2011

WINDOW AND DOOR  
PENCERE VE KAPI

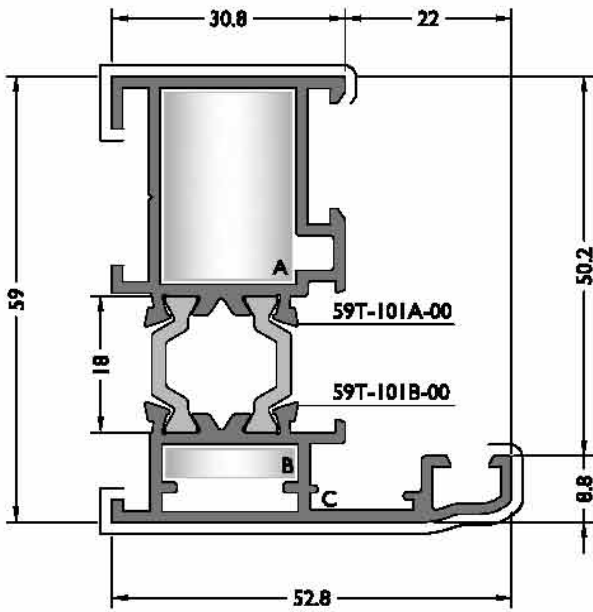
**SYSTEM 59T**  
SİSTEM 59T



 **Lorenzoline**<sup>®</sup>  
aluminium profile system

# ALUMINIUM

## b - PROFILES



CODE  
**59T-101-00**

THEORETICAL WEIGHT kg/m  
**1.311**

EXTRUDED CORNER JOINT

DIE - CAST CORNER JOINT

A **CC-122-25.5**



**LC-1826**



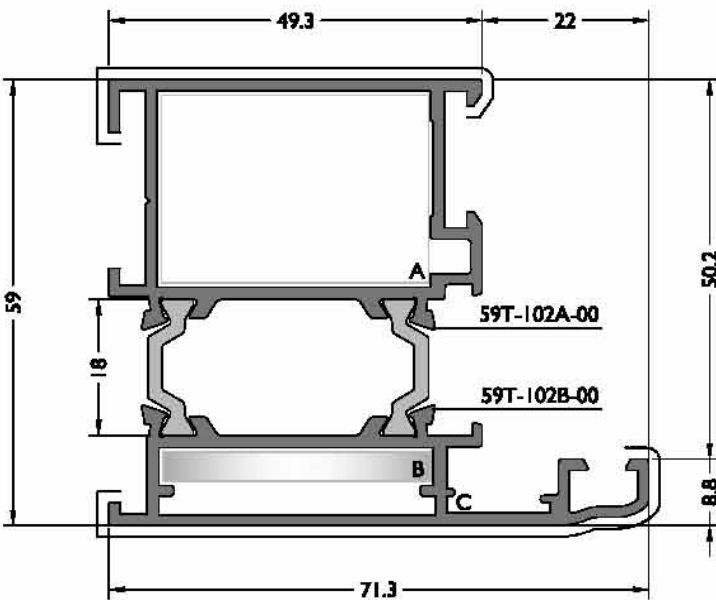
B **CC-122-04.5**



**LC-1828**



C **FUJI 2013**



CODE  
**59T-102-00**

THEORETICAL WEIGHT kg/m  
**1.627**

EXTRUDED CORNER JOINT

DIE - CAST CORNER JOINT

A **CC-125-25.5**



**LC-3626**

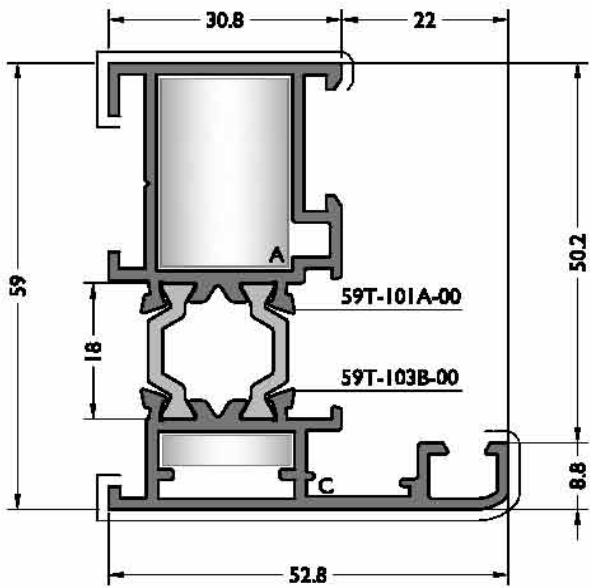


B **CC-125-04.5**








C **FUJI 2013**

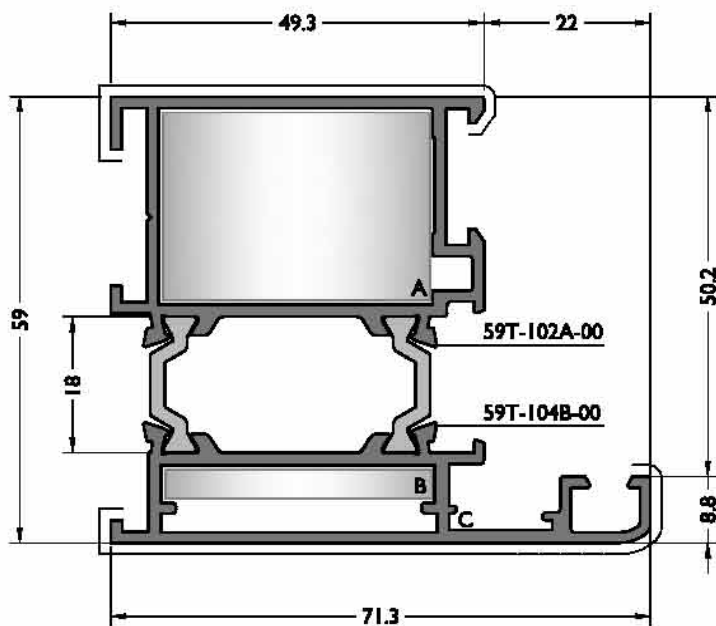




CODE  
**59T-103-00**





THEORETICAL WEIGHT kg/m  
**1.315**

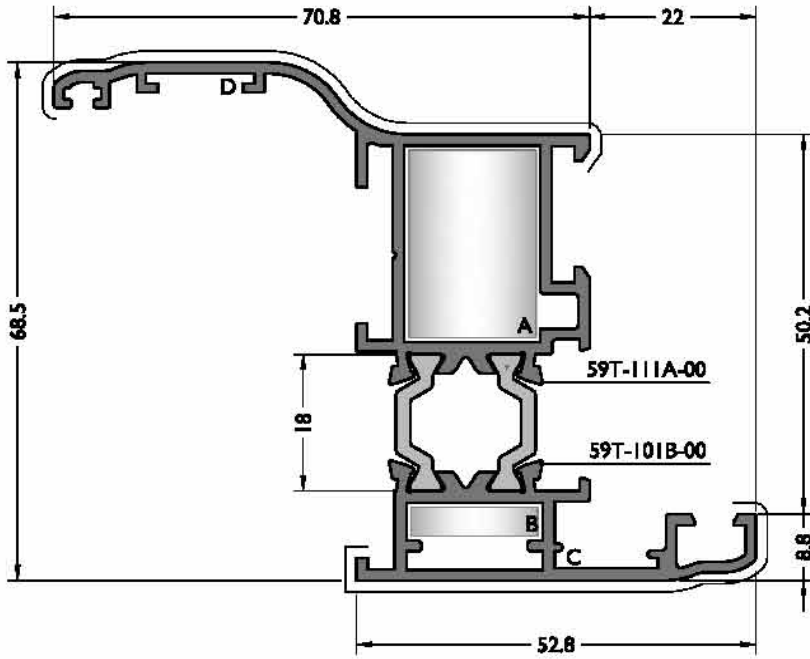
- |   | EXTRUDED CORNER JOINT   | DIE - CAST CORNER JOINT   |
|---|---|---|
| A | CC-122-25.5  | LC-1826  |
|   |   | LC-1828  |
| B | CC-122-04.5  |   |
| C | FUJI 2013    |   |



CODE  
**59T-104-00**

THEORETICAL WEIGHT kg/m  
**1.631**

- |   | EXTRUDED CORNER JOINT   | DIE - CAST CORNER JOINT   |
|---|---|---|
| A | CC-125-25.5  | LC-3626  |
| B | CC-125-04.5  |   |
| C | FUJI 2013    |   |



CODE  
**59T-111-00**

THEORETICAL WEIGHT kg/m  
**1.550**

EXTRUDED CORNER JOINT

DIE - CAST CORNER JOINT

A **CC-122-25.5**

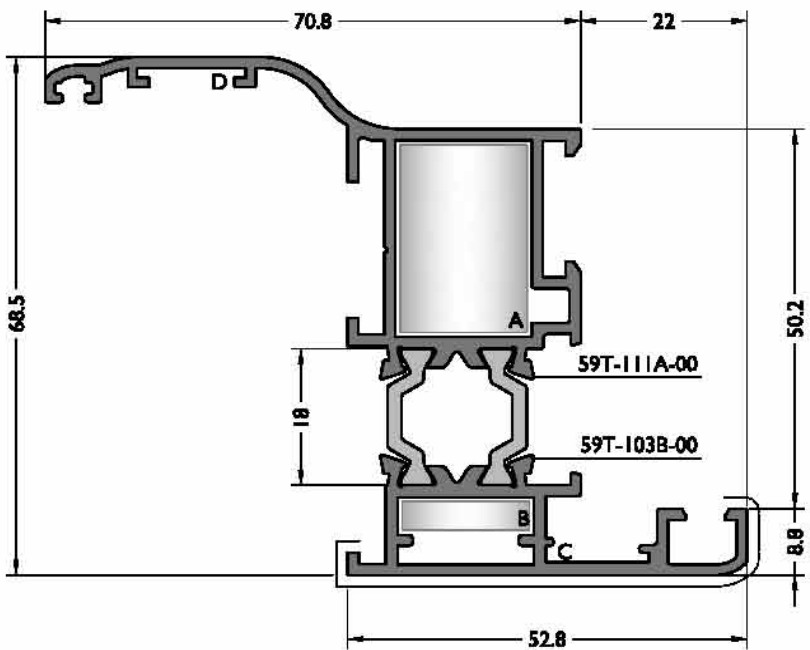
**LC-1826**

B **CC-122-04.5**

**LC-1828**

C **FUJI 2013**

D **MO 20.1**



CODE  
**59T-113-00**

THEORETICAL WEIGHT kg/m  
**1.554**

EXTRUDED CORNER JOINT

DIE - CAST CORNER JOINT

A **CC-122-25.5**

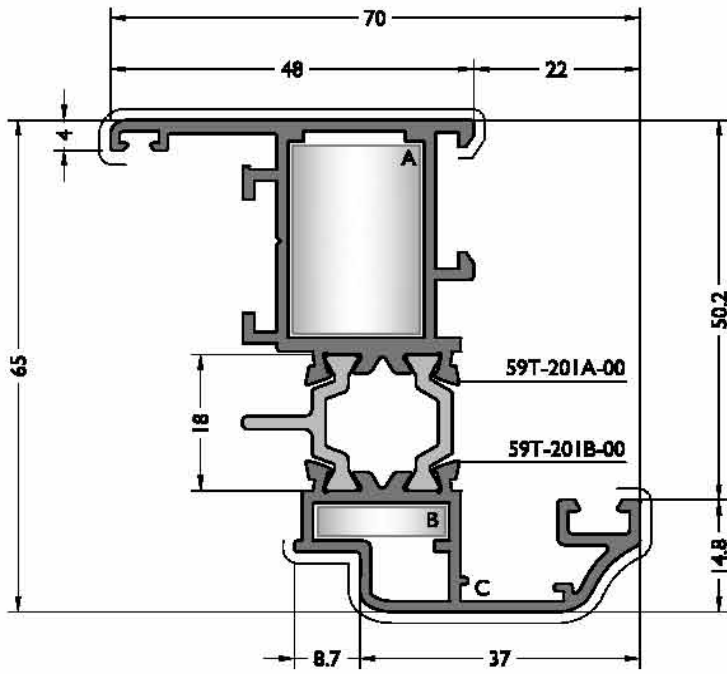
**LC-1826**

B **CC-122-04.5**






**LC-1828**

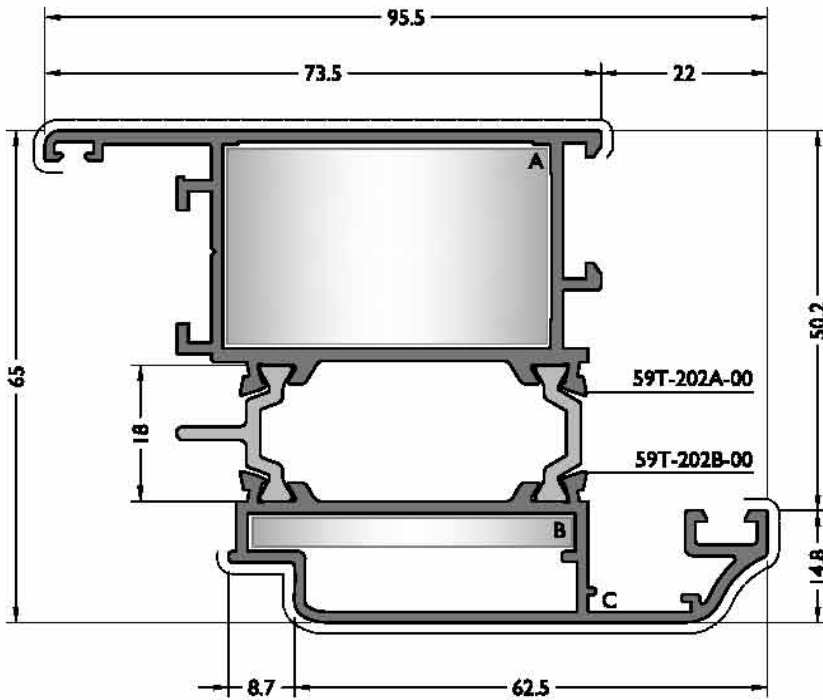
C **FUJI 2013**

D **MO 20.1**







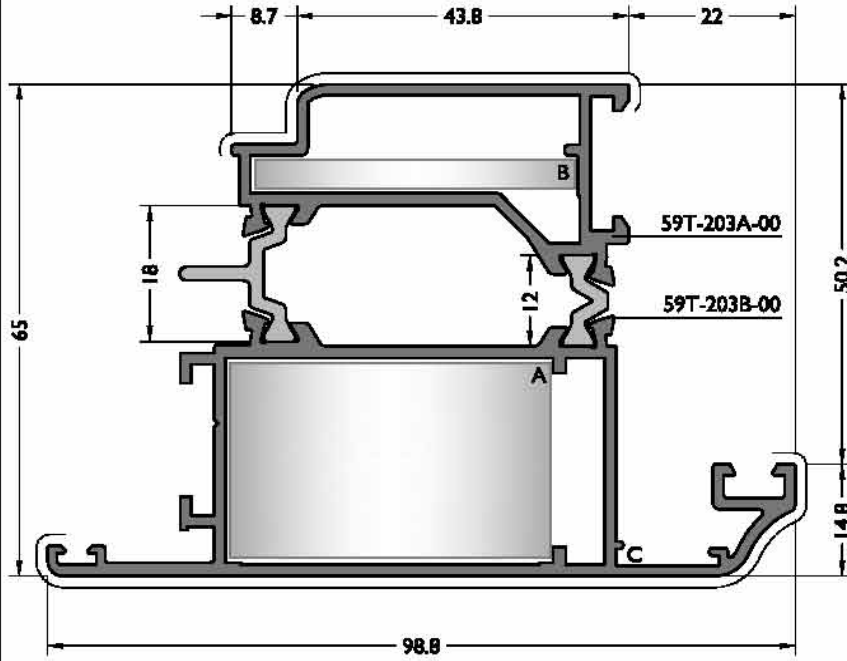
CODE  
**59T-201-00**  
 THEORETICAL WEIGHT kg/m  
**1.484**

- |   | EXTRUDED CORNER JOINT   | DIE - CAST CORNER JOINT   |
|---|---|---|
| A | CC-122-25.5  | LC-1826  |
|   |   | LC-1828  |
| B | CC-122-04.5  |   |
| C | FUJI 2013    |   |






CODE  
**59T-202-00**  
 THEORETICAL WEIGHT kg/m  
**1.901**

- |   | EXTRUDED CORNER JOINT   | DIE - CAST CORNER JOINT   |
|---|---|---|
| A | CC-105-26.5  | LC-4327  |
| B | CC-105-04.5  |   |
| C | FUJI 2013    |   |

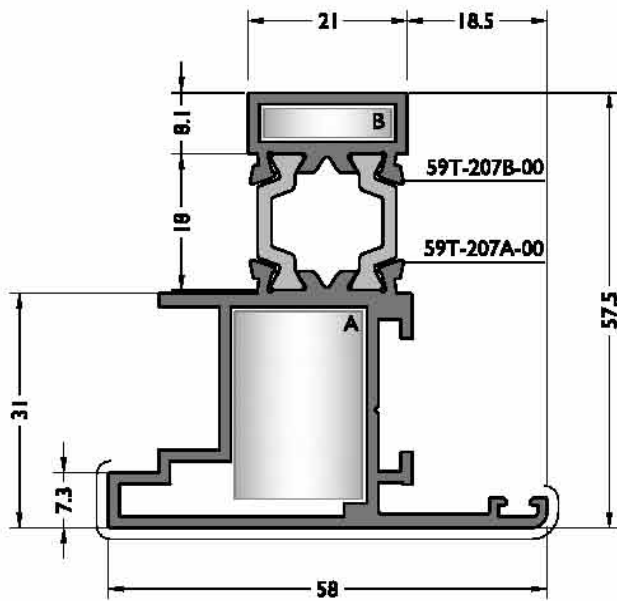


CODE  
**59T-203-00**

THEORETICAL WEIGHT kg/m  
**1.982**



- EXTRUDED CORNER JOINT
- A **CC-105-26.5** 
  - B **CC-105-04.5** 
  - C **FUJI 2013** 

- DIE - CAST CORNER JOINT
- LC-4327** 

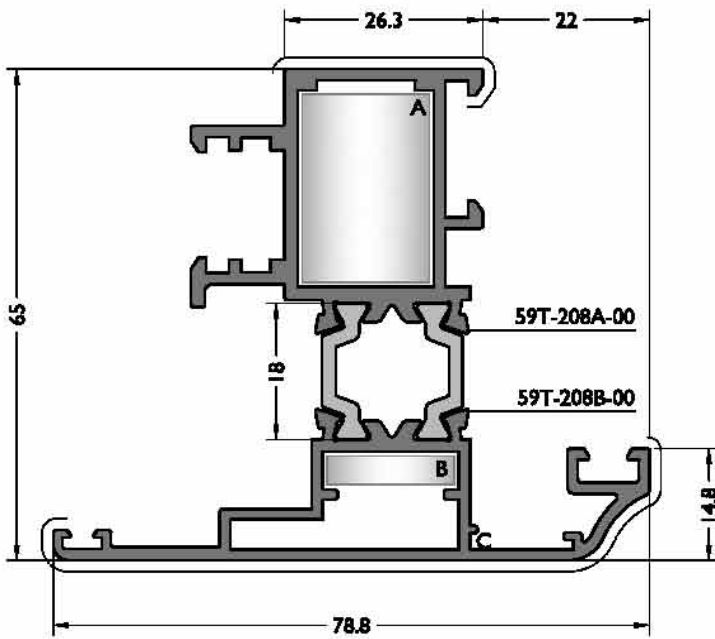


CODE  
**59T-207-00**




THEORETICAL WEIGHT kg/m  
**1.294**



- EXTRUDED CORNER JOINT
- A **CC-122-25.5** 
  - B **CC-122-04.5** 

- DIE - CAST CORNER JOINT
- LC-1826** 
  - LC-1828** 

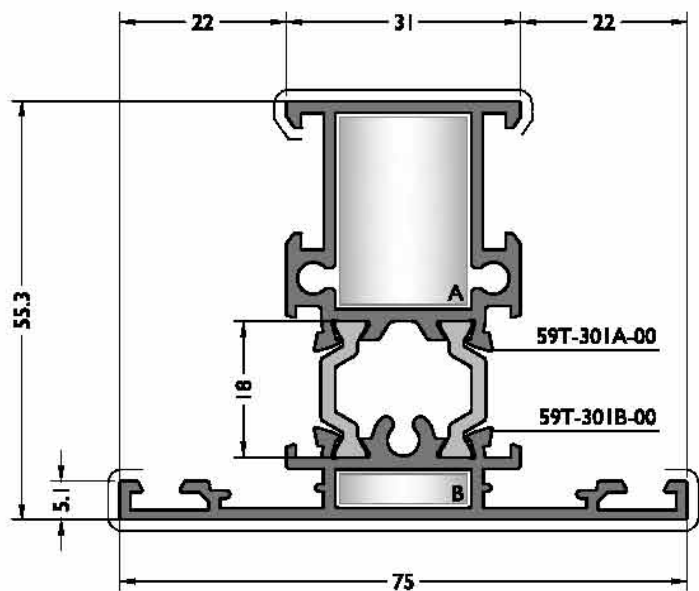


CODE	THEORETICAL WEIGHT kg/m
<b>59T-208-00</b>	<b>1.690</b>

	EXTRUDED CORNER JOINT
<b>A</b>	<b>CC-122-25.5</b> 
<b>B</b>	<b>CC-122-04.5</b> 
<b>C</b>	<b>FUJI 2013</b> 

	DIE - CAST CORNER JOINT
	<b>LC-1826</b> 
	<b>LC-1828</b> 





CODE  
**59T-301-00**

THEORETICAL WEIGHT kg/m  
**1.488**

EXTRUDED CORNER JOINT  
A **CC-122-25.5**



DIE - CAST CORNER JOINT  
**LC-1827**



**LC-1826**



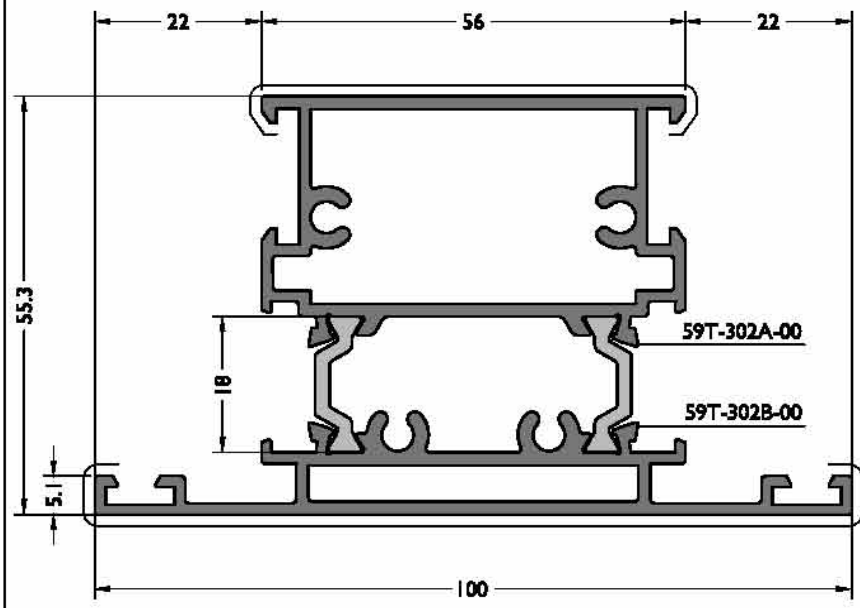
**LC-1828**



B **CC-122-04.5**

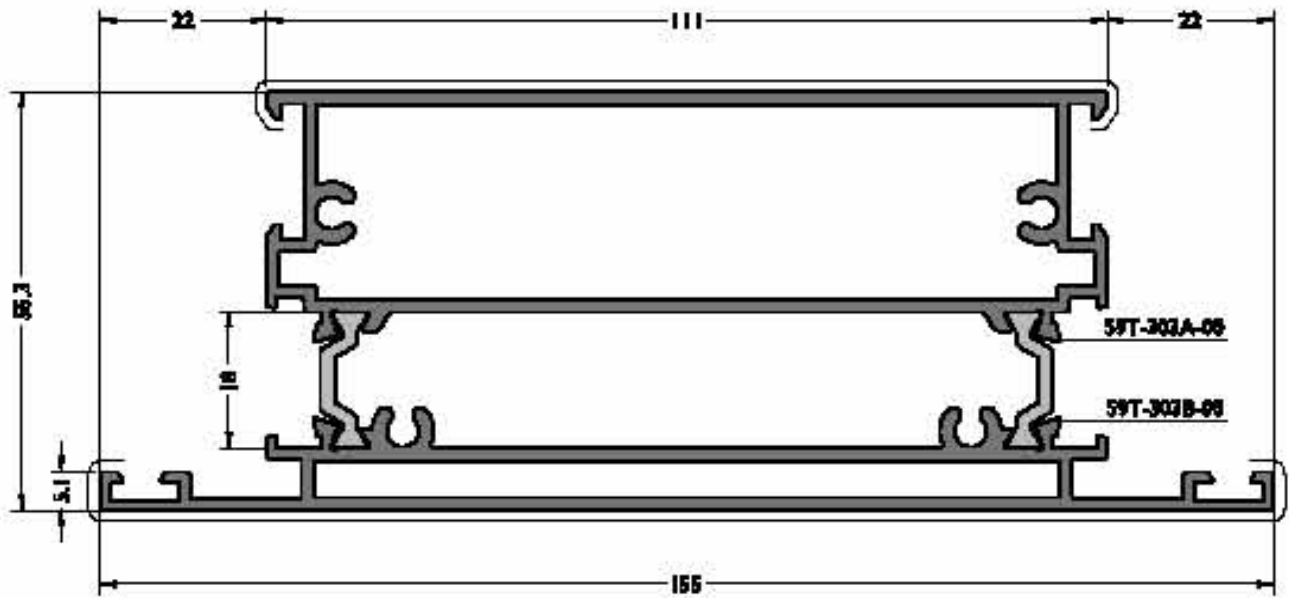


C **FUJI 2013**

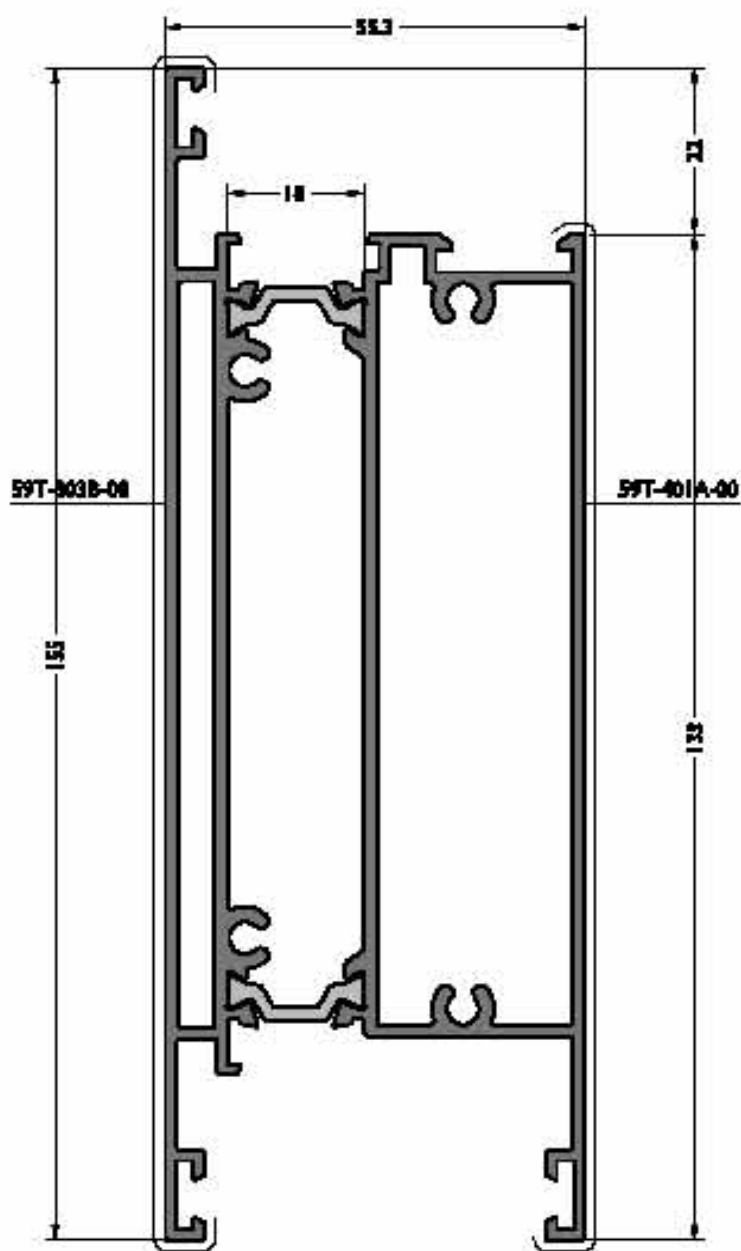


CODE  
**59T-302-00**

THEORETICAL WEIGHT kg/m  
**2.106**

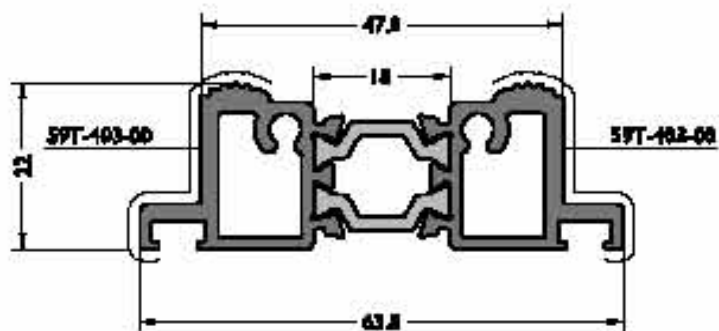


CODE	THEORETICAL WEIGHT kg/m
59T-303-00	3.120



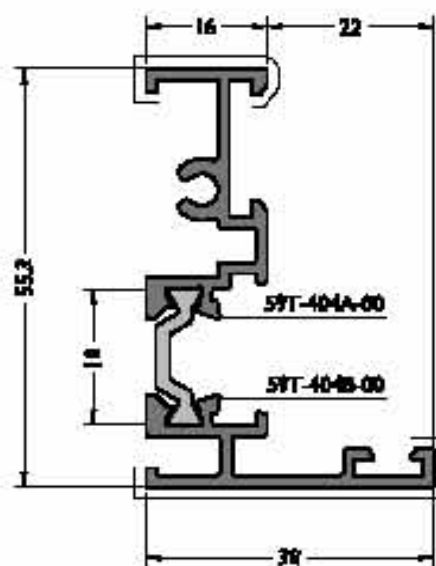
CODE  
**59T-401-00**

THEORETICAL  
WEIGHT kg/m  
**3.183**



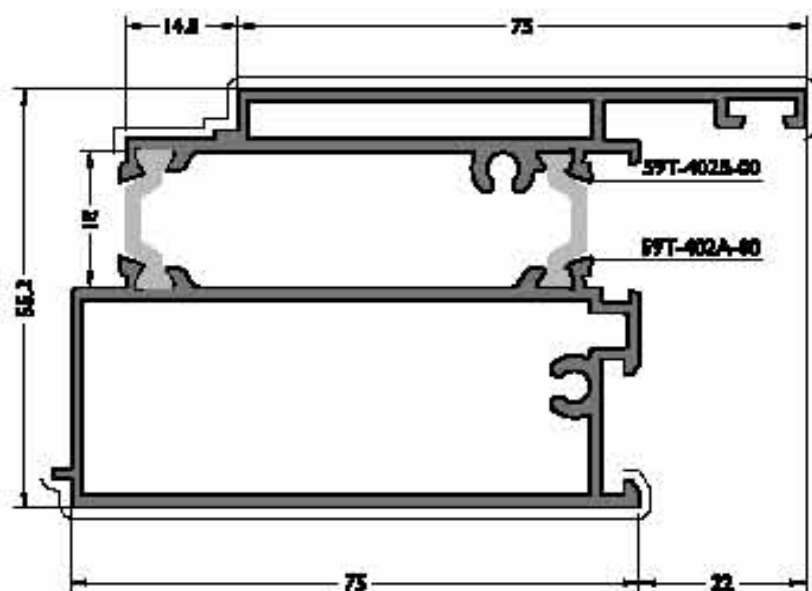
CODE  
**59T-403-00**

THEORETICAL  
WEIGHT kg/m  
**1.112**



CODE  
**59T-404-00**

THEORETICAL  
WEIGHT kg/m  
**0.796**

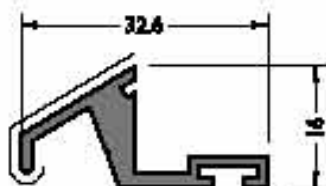


CODE

**59T-402-00**

THEORETICAL WEIGHT kg/m

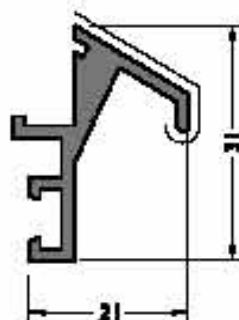
**1.984**



**59T-405-00**

THEORETICAL WEIGHT kg/m

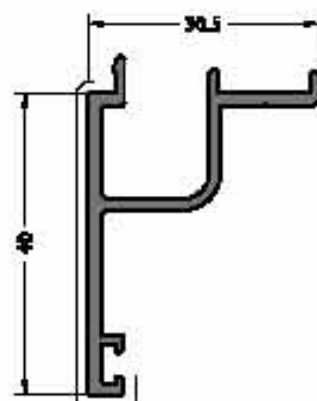
**0.331**



**59T-406-00**

THEORETICAL WEIGHT kg/m

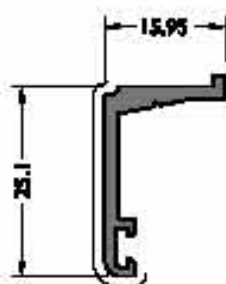
**0.382**



**59T-407-00**

THEORETICAL WEIGHT kg/m

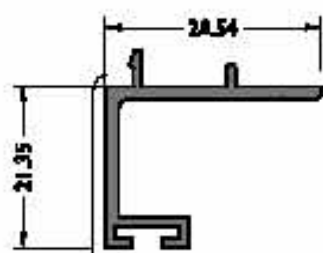
**0.446**



**59T-408-00**

THEORETICAL WEIGHT kg/m

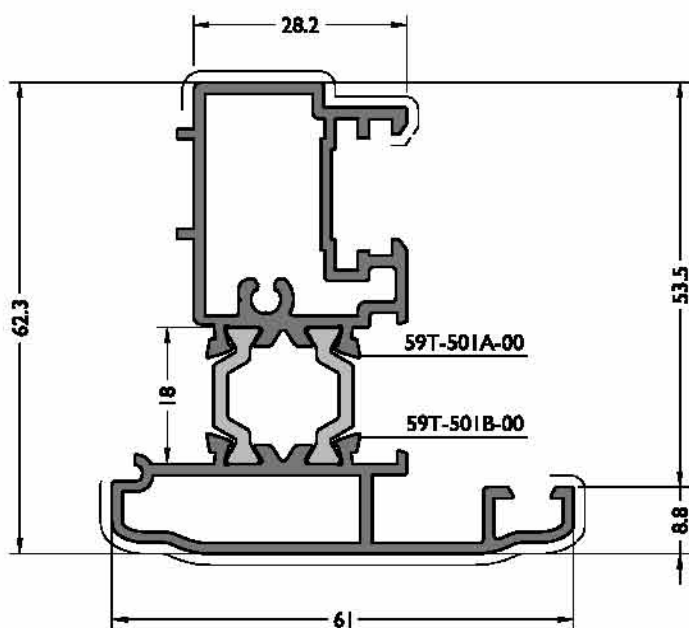
**0.225**



**59T-409-00**

THEORETICAL WEIGHT kg/m

**0.312**

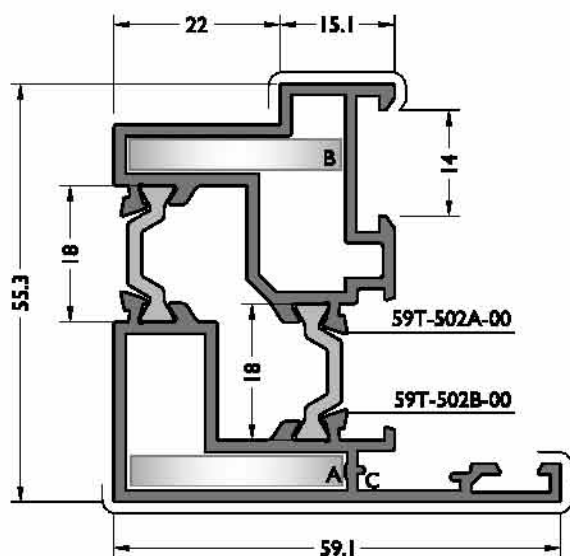


CODE  
**59T-501-00**

THEORETICAL WEIGHT kg/m  
**1.423**

ADAPTOR CAP

EM59T - 501



CODE  
**59T-502-00**

THEORETICAL WEIGHT kg/m  
**1.458**

EXTRUDED CORNER JOINT

A CC-123-04.5

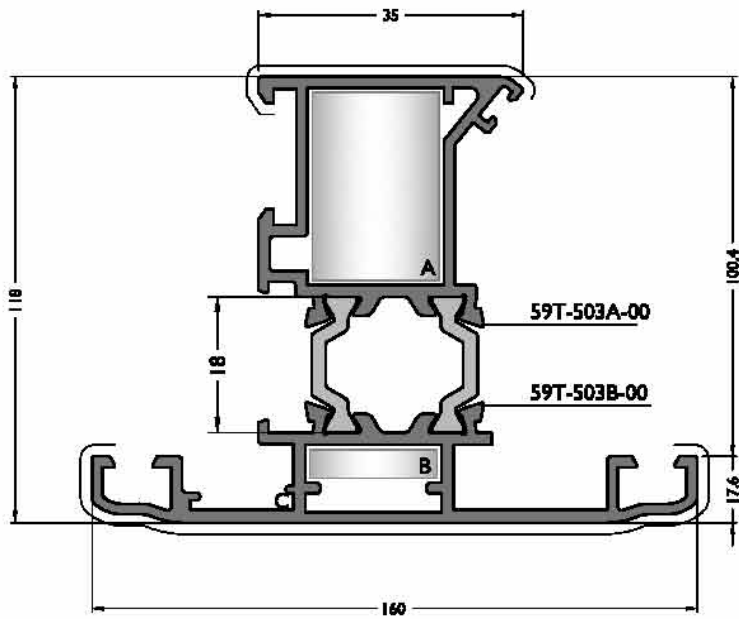


B CC-123-04.5



C FUJI 2013

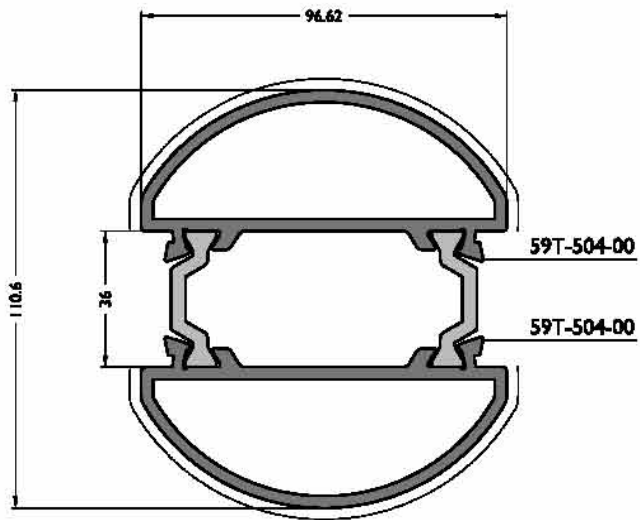




CODE  
**59T-503-00**

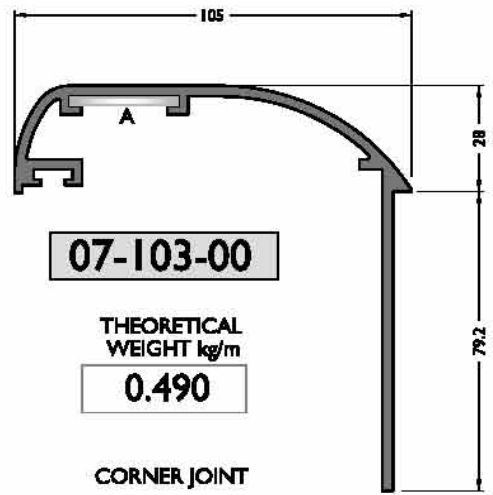
THEORETICAL WEIGHT kg/m  
**1.518**

- | EXTRUDED CORNER JOINT |             | DIE - CAST CORNER JOINT |  |
|-----------------------|-------------|-------------------------|--|
| A                     | CC-122-25.5 | LC-1826                 |  |
| B                     | CC-122-04.5 | LC-1828                 |  |
| C                     | FUJI 2013   |                         |  |



CODE  
**59T-504-00**

THEORETICAL WEIGHT kg/m  
**1.223**

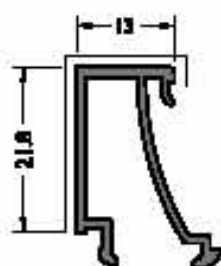
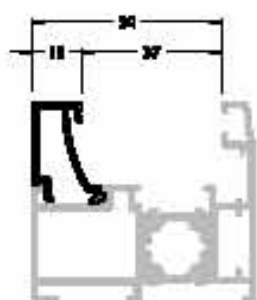


**07-103-00**

THEORETICAL WEIGHT kg/m  
**0.490**

CORNER JOINT  
 A **MO 20.1**

## profiles

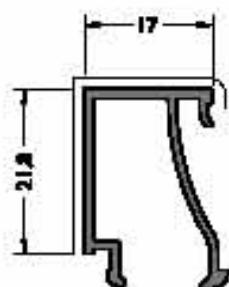
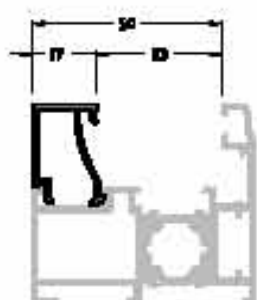


CODE

**08-104-00**

THEORETICAL  
WEIGHT kg/m

**0.256**

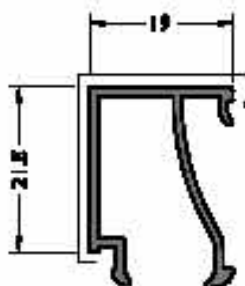
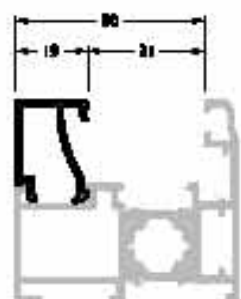


CODE

**08-107-00**

THEORETICAL  
WEIGHT kg/m

**0.262**

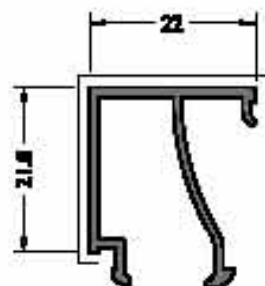
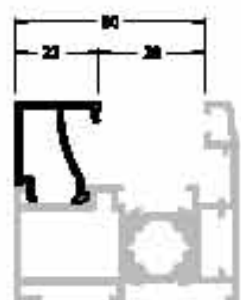


CODE

**08-108-00**

THEORETICAL  
WEIGHT kg/m

**0.269**

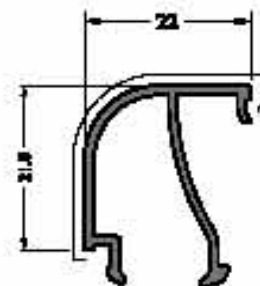
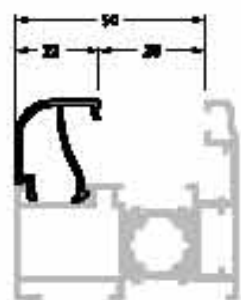


CODE

**08-109-00**

THEORETICAL  
WEIGHT kg/m

**0.280**



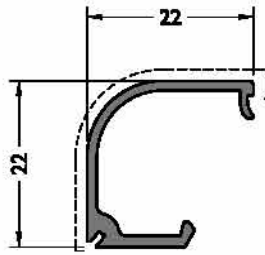
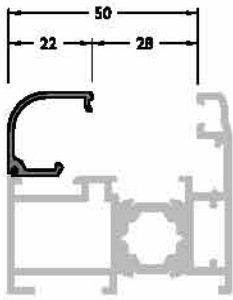
CODE

**08-110-00**

THEORETICAL  
WEIGHT kg/m

**0.266**

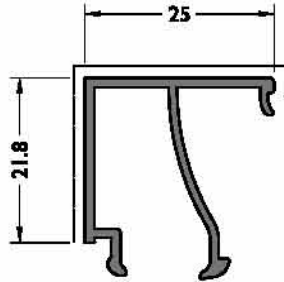
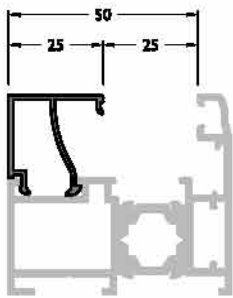
# profiles



CODE  
**08-111-00**

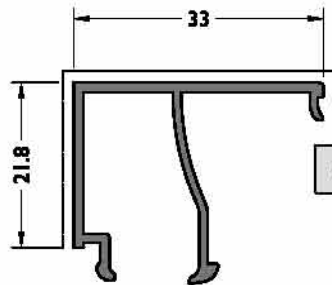
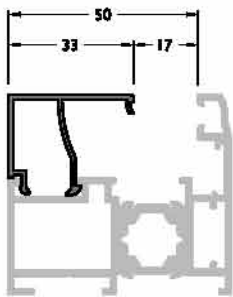
THEORETICAL  
WEIGHT kg/m  
**0.217**

THEORETICAL  
WEIGHT kg/m  
**0.217**



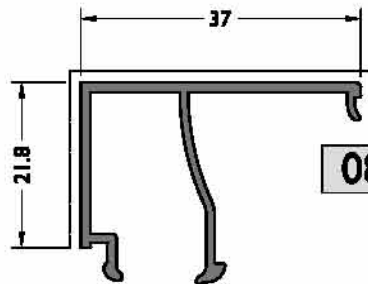
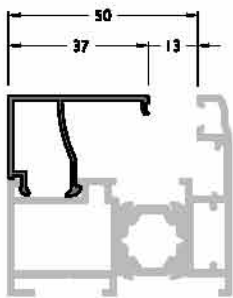
CODE  
**08-112-00**

THEORETICAL  
WEIGHT kg/m  
**0.290**



CODE  
**08-115-00**

THEORETICAL  
WEIGHT kg/m  
**0.317**



CODE  
**08-116-00**

THEORETICAL  
WEIGHT kg/m  
**0.331**





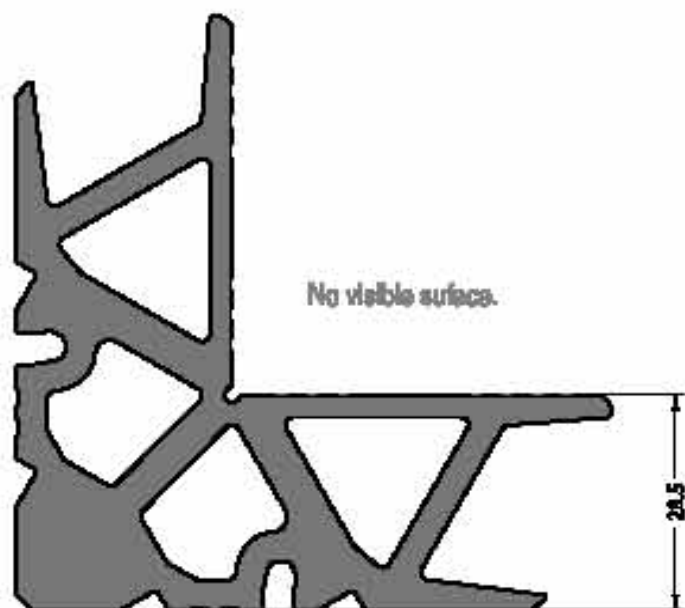
CODE  
09-121-00

THEORETICAL  
WEIGHT kg/m  
2.404



CODE  
09-122-00

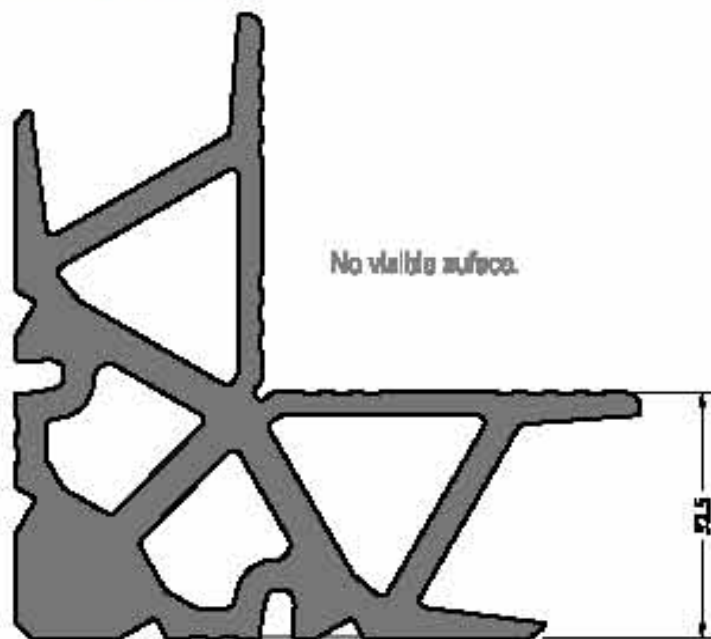
THEORETICAL  
WEIGHT kg/m  
3.306



CODE  
09-123-00

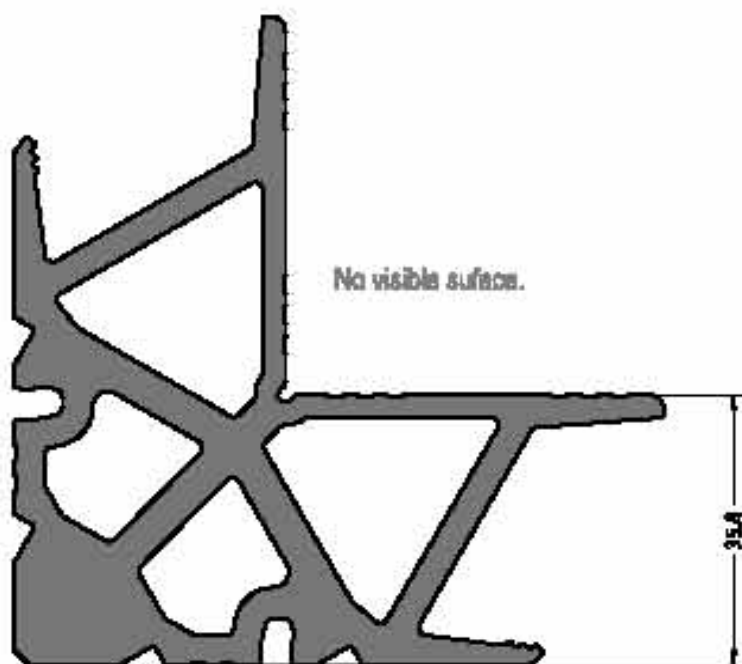
THEORETICAL  
WEIGHT kg/m  
4.385

profiles



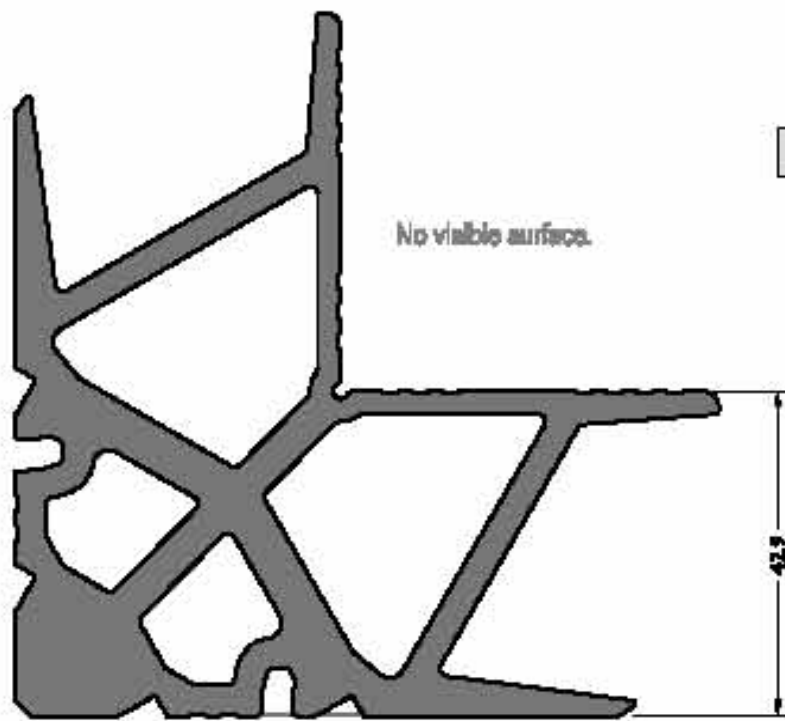
CODE  
**09-124-00**

THEORETICAL  
WEIGHT kg/m  
**4.588**



CODE  
**09-125-00**

THEORETICAL  
WEIGHT kg/m  
**4.756**



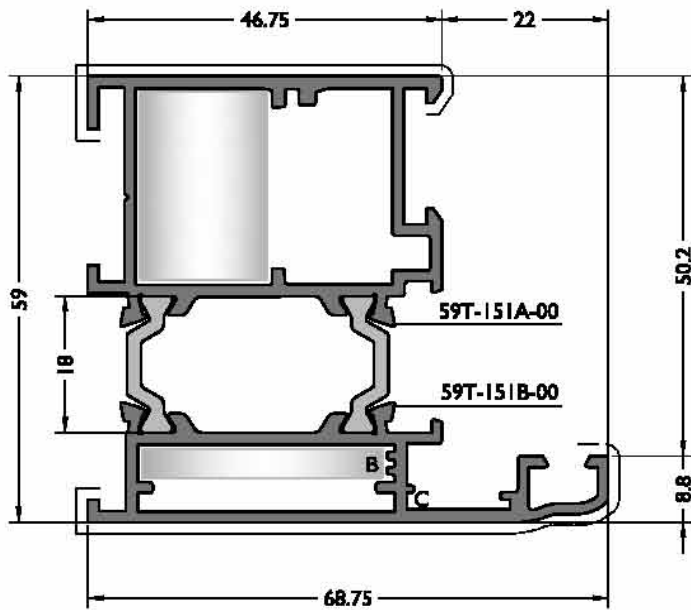
No visible surface.

CODE  
**09-105-00**

THEORETICAL  
WEIGHT kg/m  
**5.473**

# PERIMETRIC

## b - PROFILES



CODE  
**59T-151-00**

THEORETICAL WEIGHT kg/m  
**1.625**

EXTRUDED CORNER JOINT

DIE - CAST CORNER JOINT

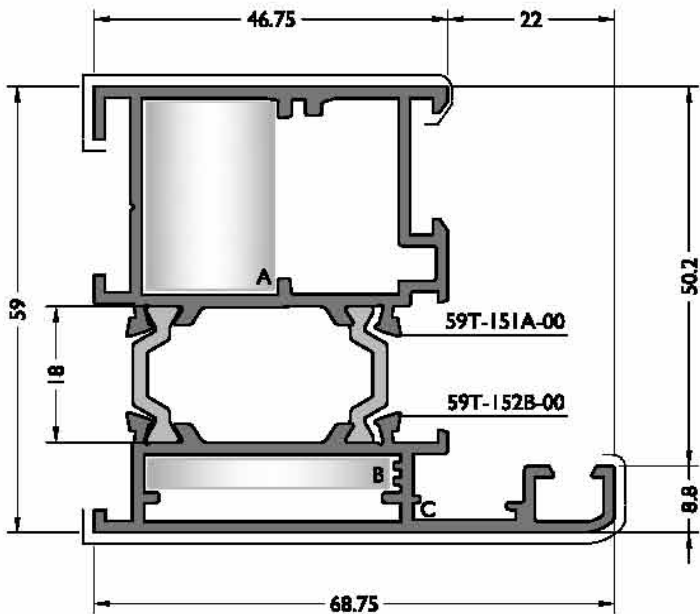
A **CC-154-25.5**

**LC-1826**

B **CC-124-04.5**

**LC-1828**

C **FUJI 2013**



CODE  
**59T-152-00**

THEORETICAL WEIGHT kg/m  
**1.629**

EXTRUDED CORNER JOINT

DIE - CAST CORNER JOINT

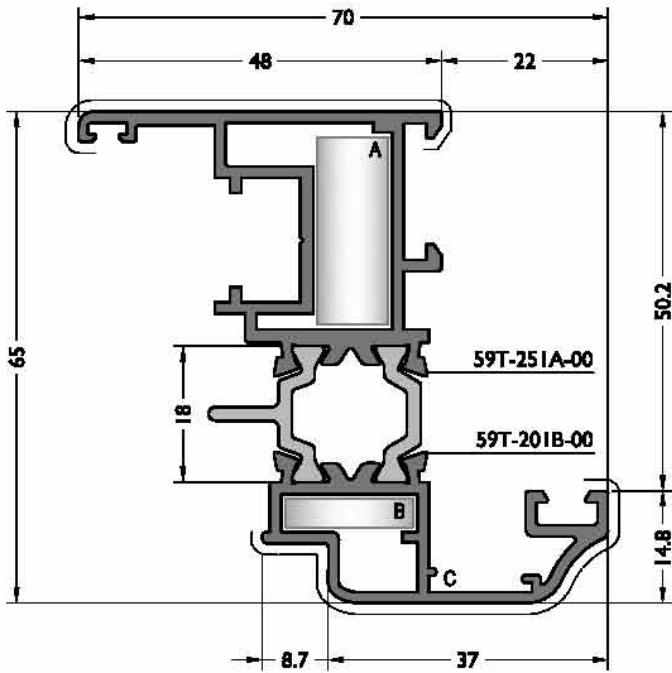
A **CC-154-25.5**

**LC-1826**

B **CC-124-04.5**

**LC-1828**

C **FUJI 2013**



CODE  
**59T-251-00**

THEORETICAL WEIGHT kg/m  
**1.533**

EXTRUDED CORNER JOINT

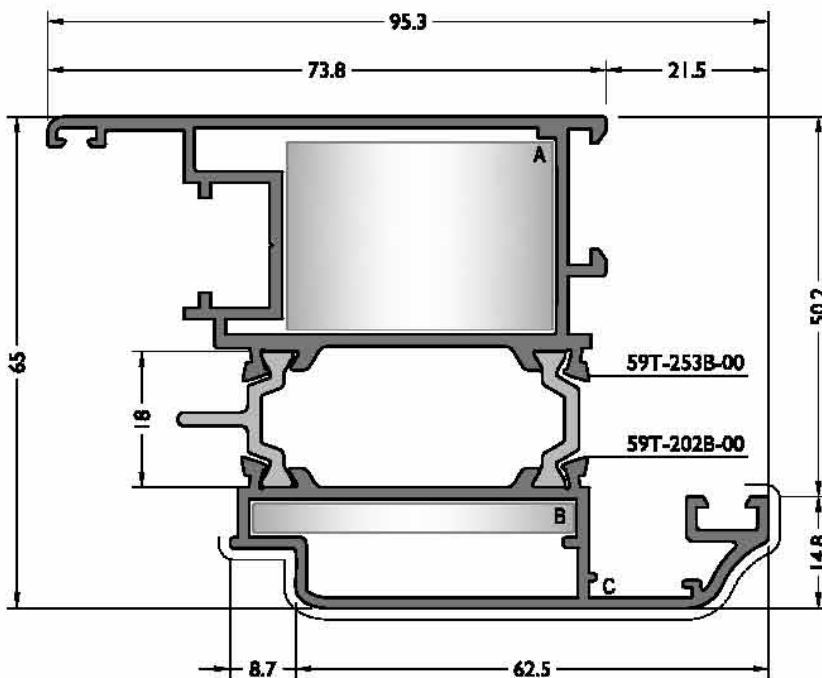
A **CC-121-25.5**



B **CC-122-04.5**



C **FUJI 2013**



CODE  
**59T-253-00**

THEORETICAL WEIGHT kg/m  
**1.961**

EXTRUDED CORNER JOINT

A **CC-125-25.5**



B **CC-105-04.5**



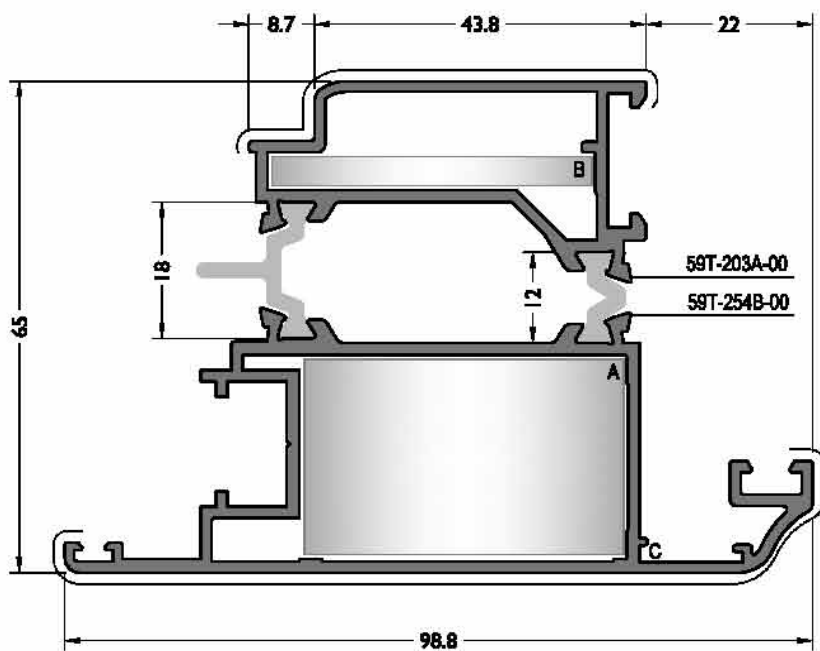
C **FUJI 2013**



DIE - CAST CORNER JOINT

**LC-3626**





CODE  
**59T-254-00**

THEORETICAL WEIGHT kg/m  
**2.031**

EXTRUDED CORNER JOINT

DIE - CAST CORNER JOINT

A **CC-105-26.5**



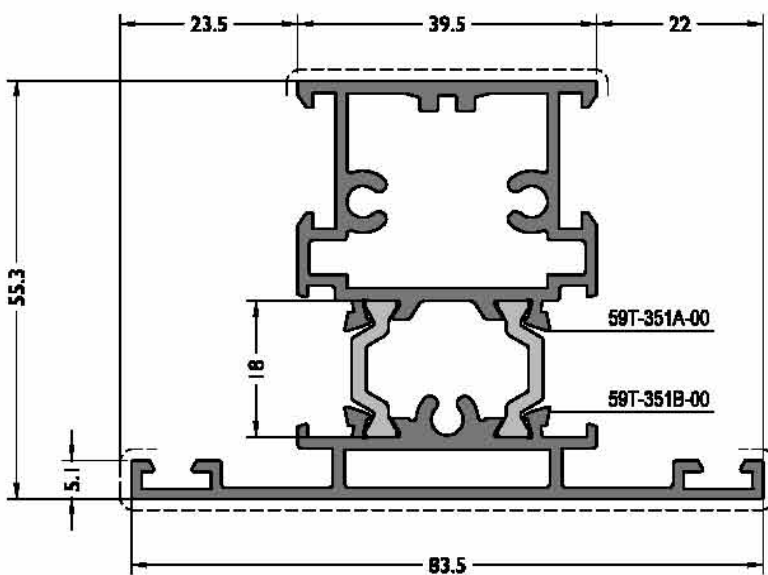
**LC-4327**



B **CC-105-04.5**

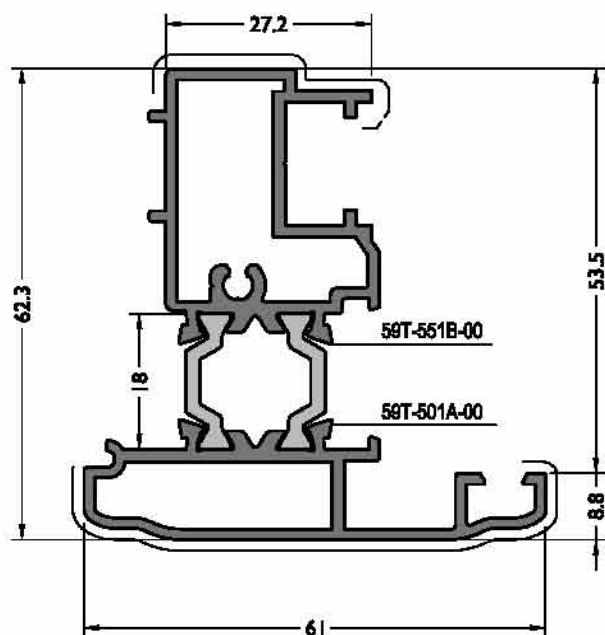


C **FUJI 2013**



CODE  
**59T-351-00**

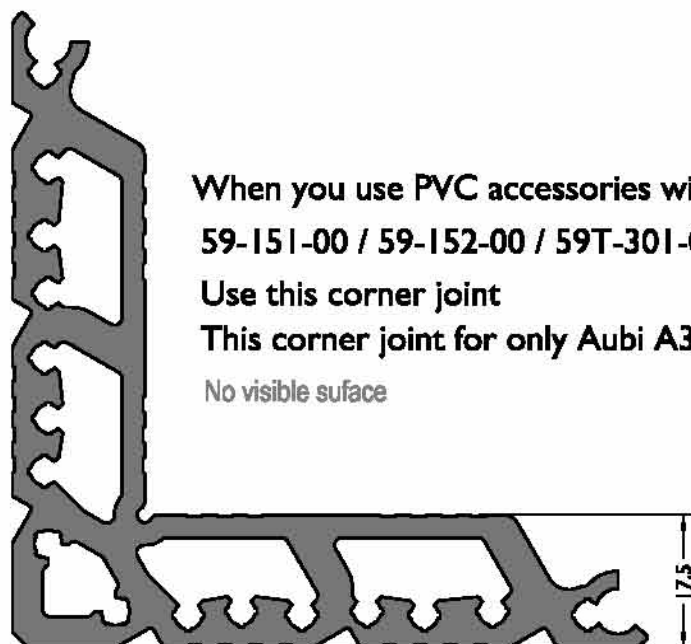
THEORETICAL WEIGHT kg/m  
**1.780**



CODE  
**59T-551-00**

THEORETICAL  
WEIGHT kg/m  
**1.423**

ADAPTOR CAP  
**EM59T - 551**



CODE  
**09-154-00**

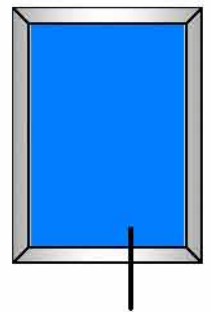
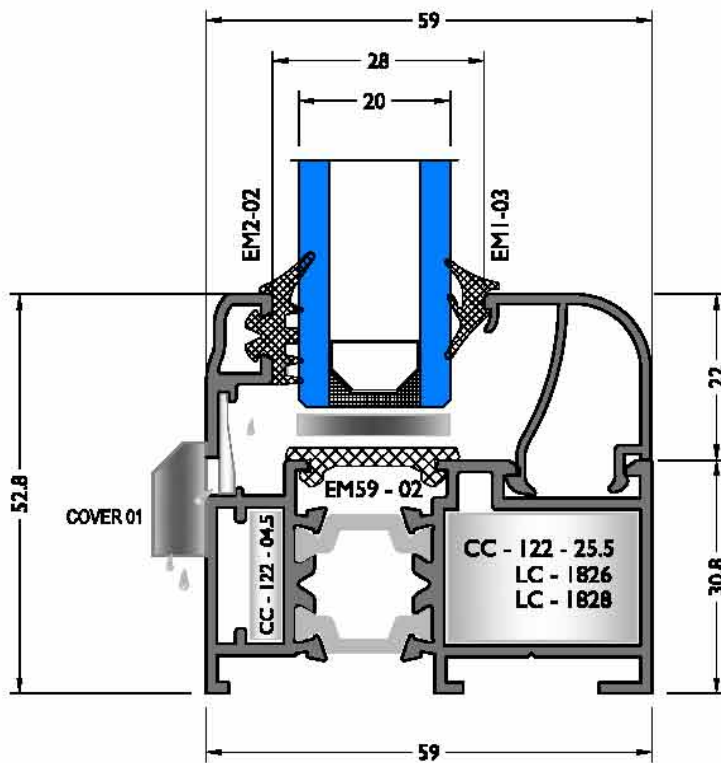
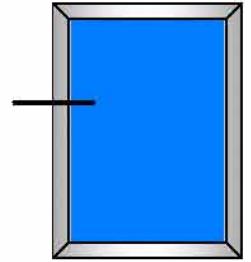
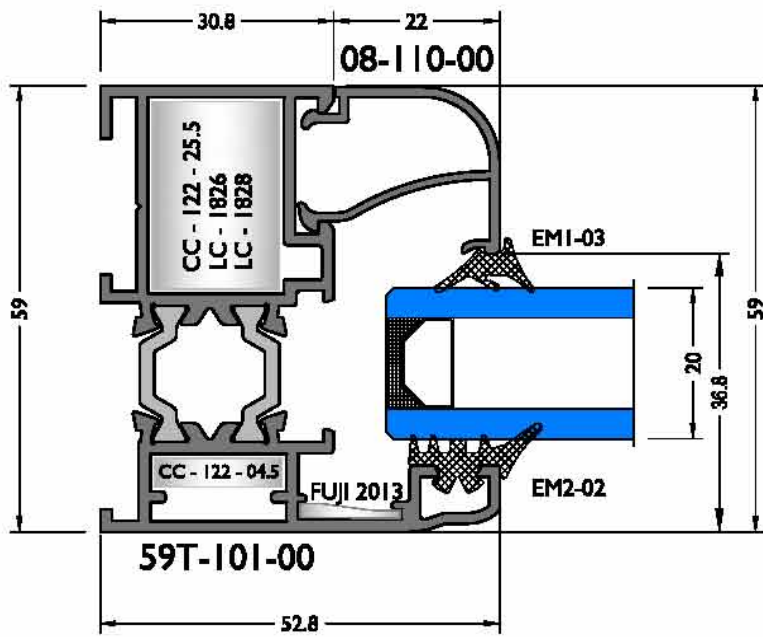
THEORETICAL  
WEIGHT kg/m  
**3.498**

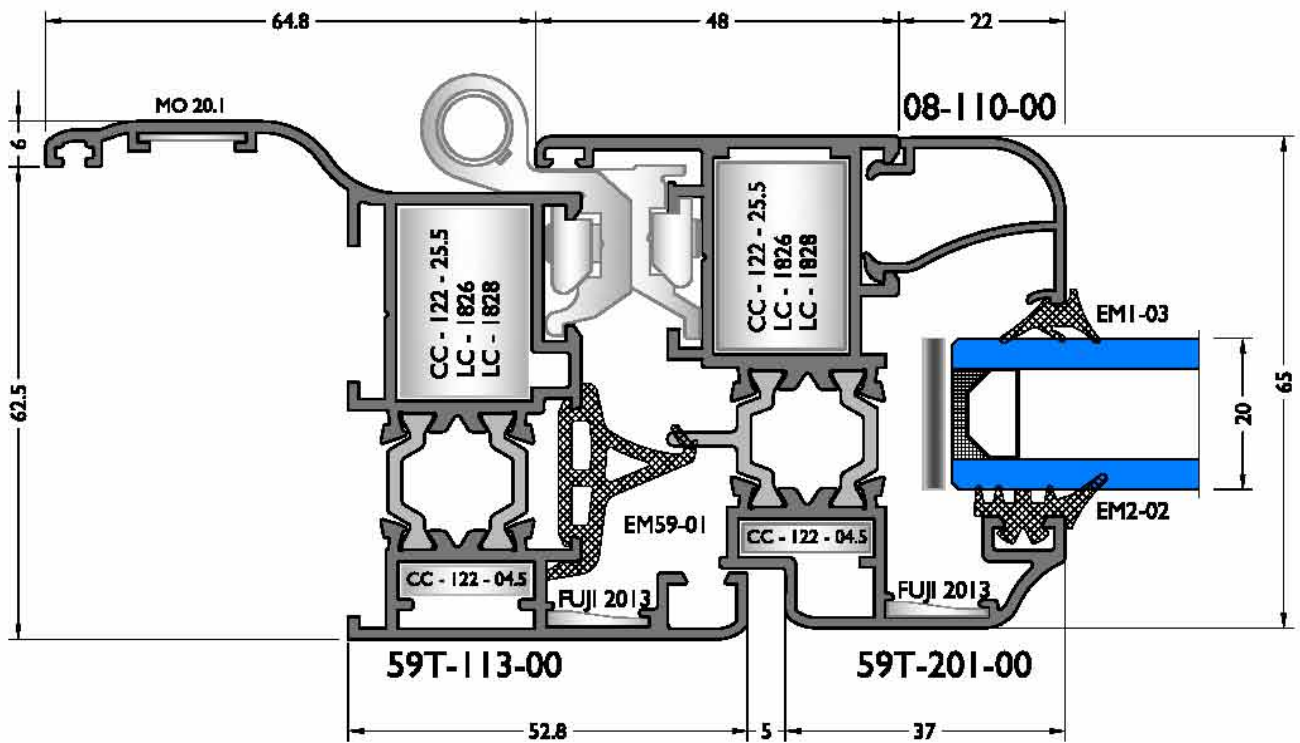
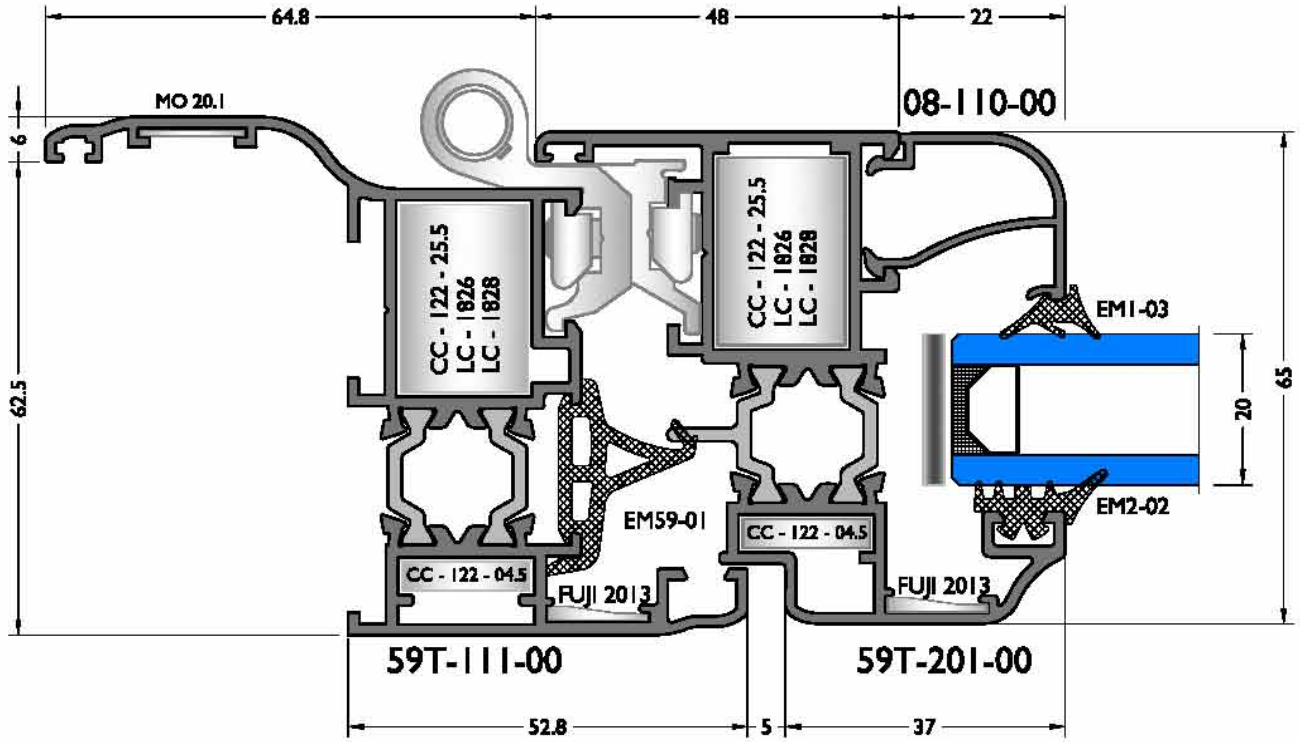
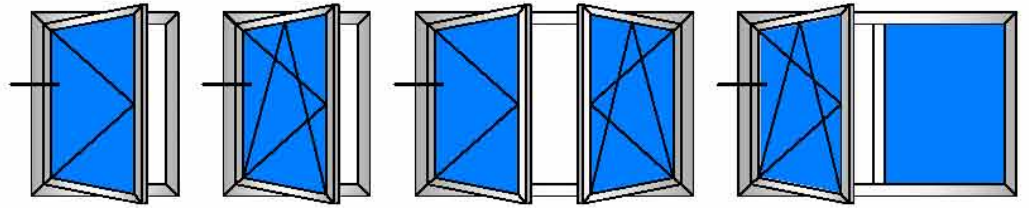
When you use PVC accessories with these Frames  
**59-151-00 / 59-152-00 / 59T-301-00**  
 Use this corner joint  
 This corner joint for only Aubi A300 & GU Uni jet D  
 No visible surface

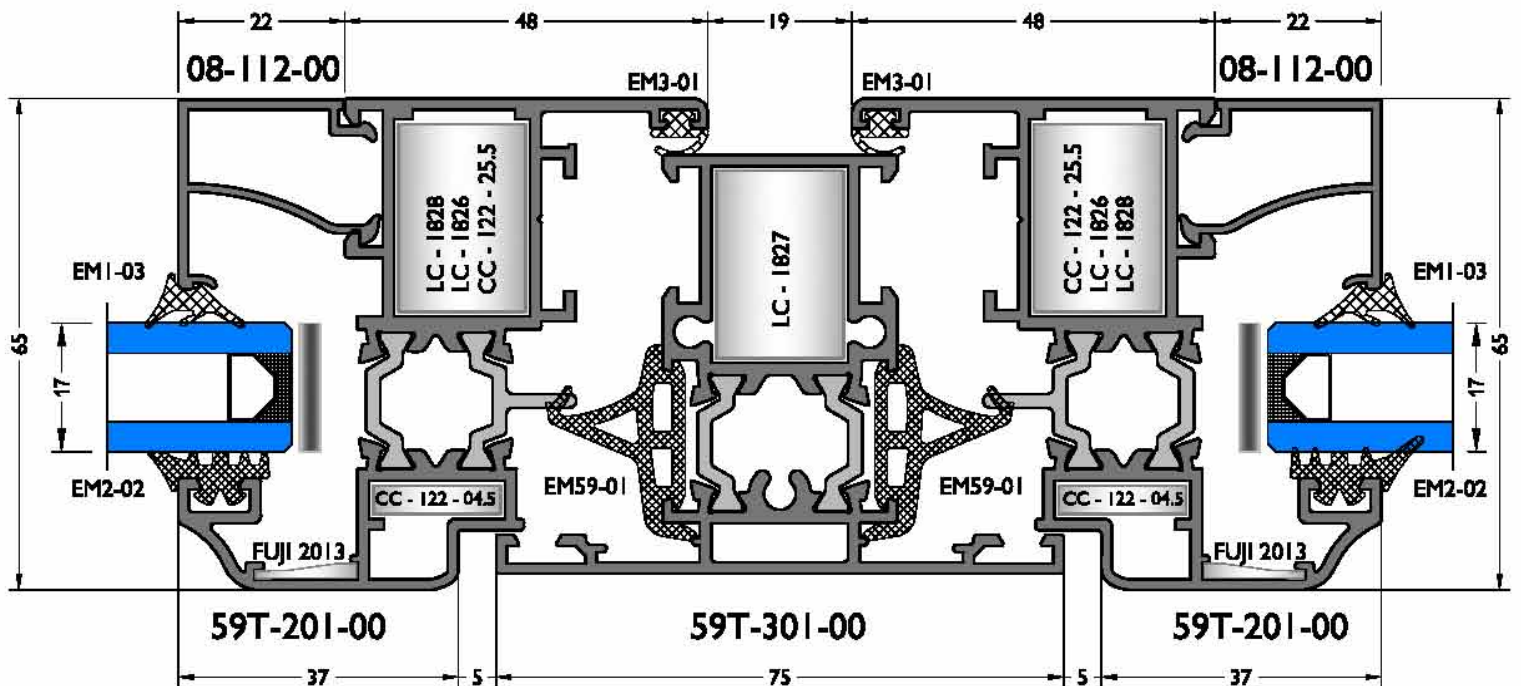
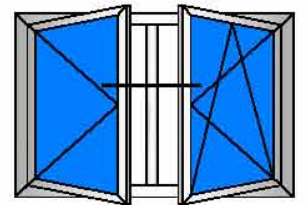
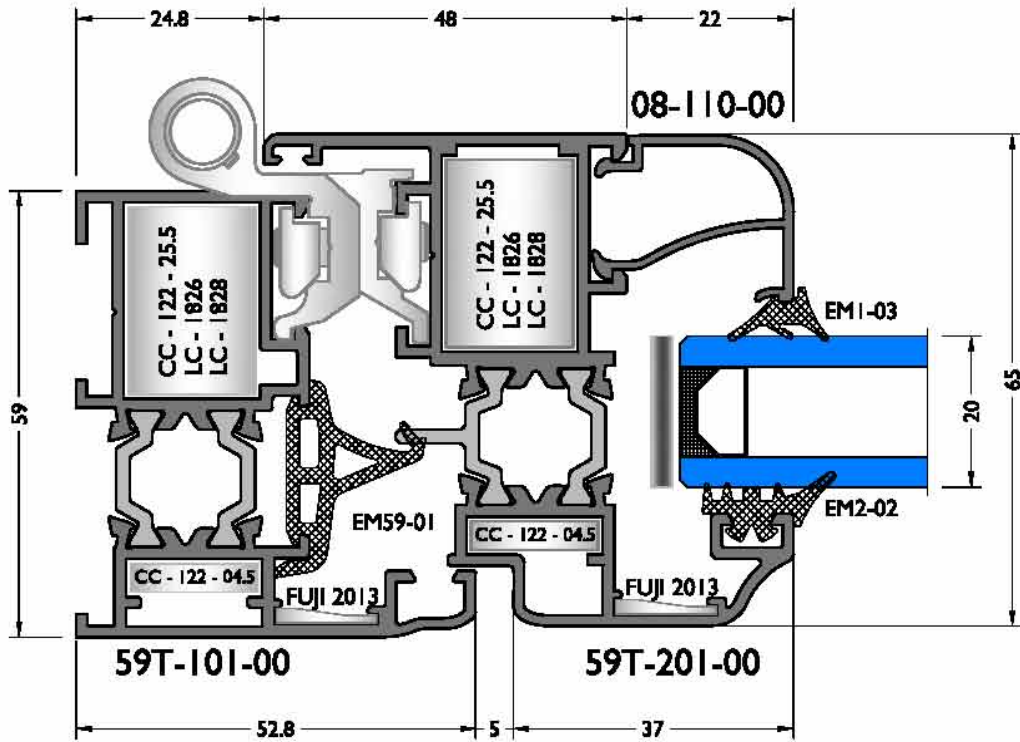
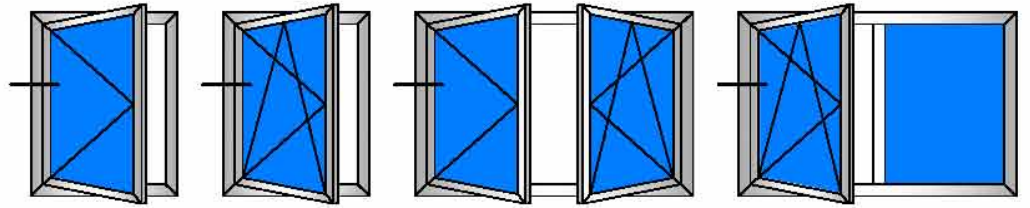


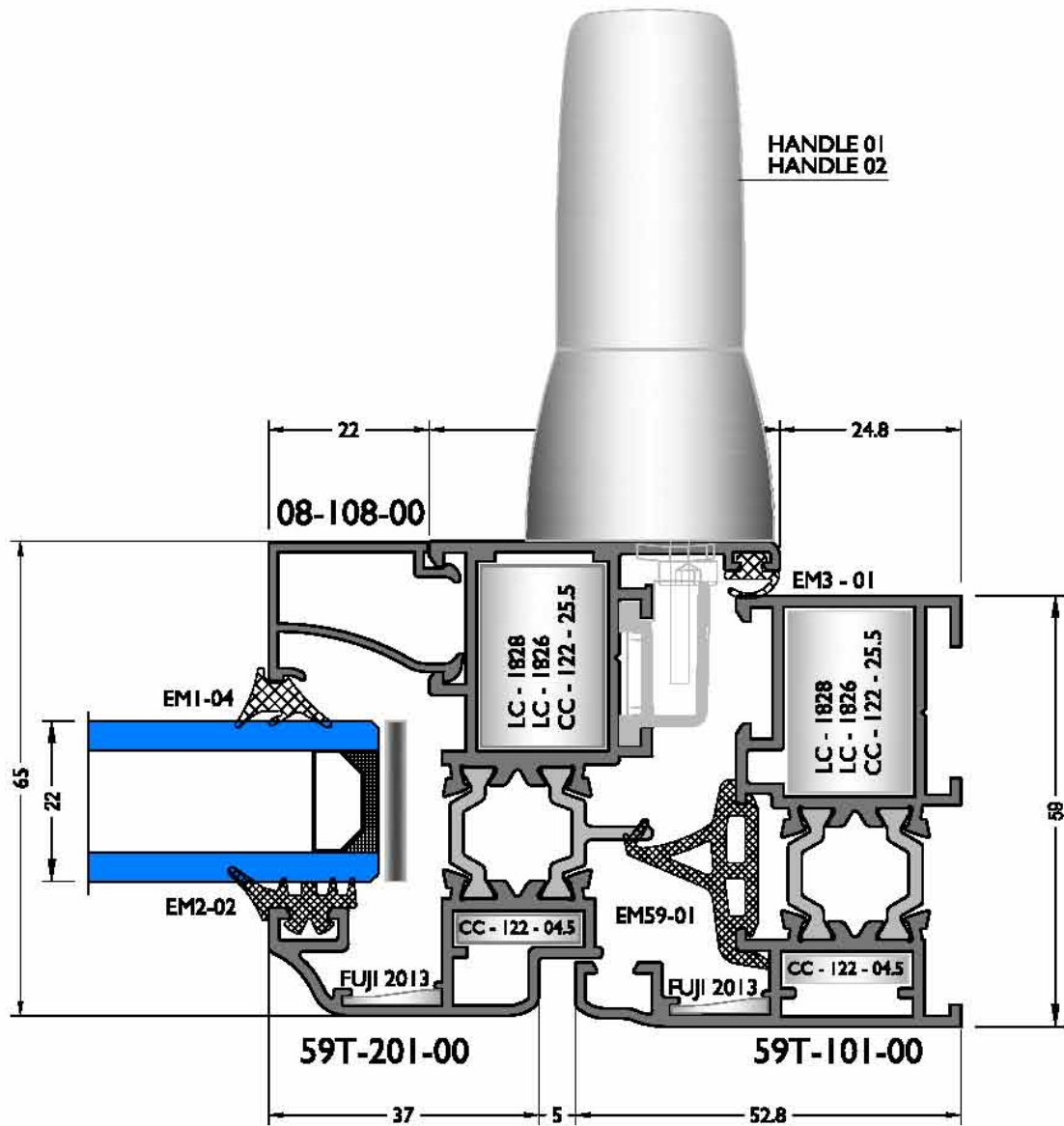
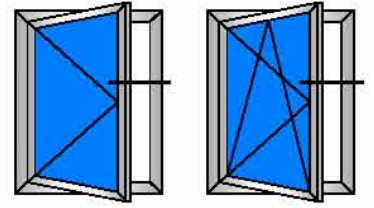
# ALUMINIUM

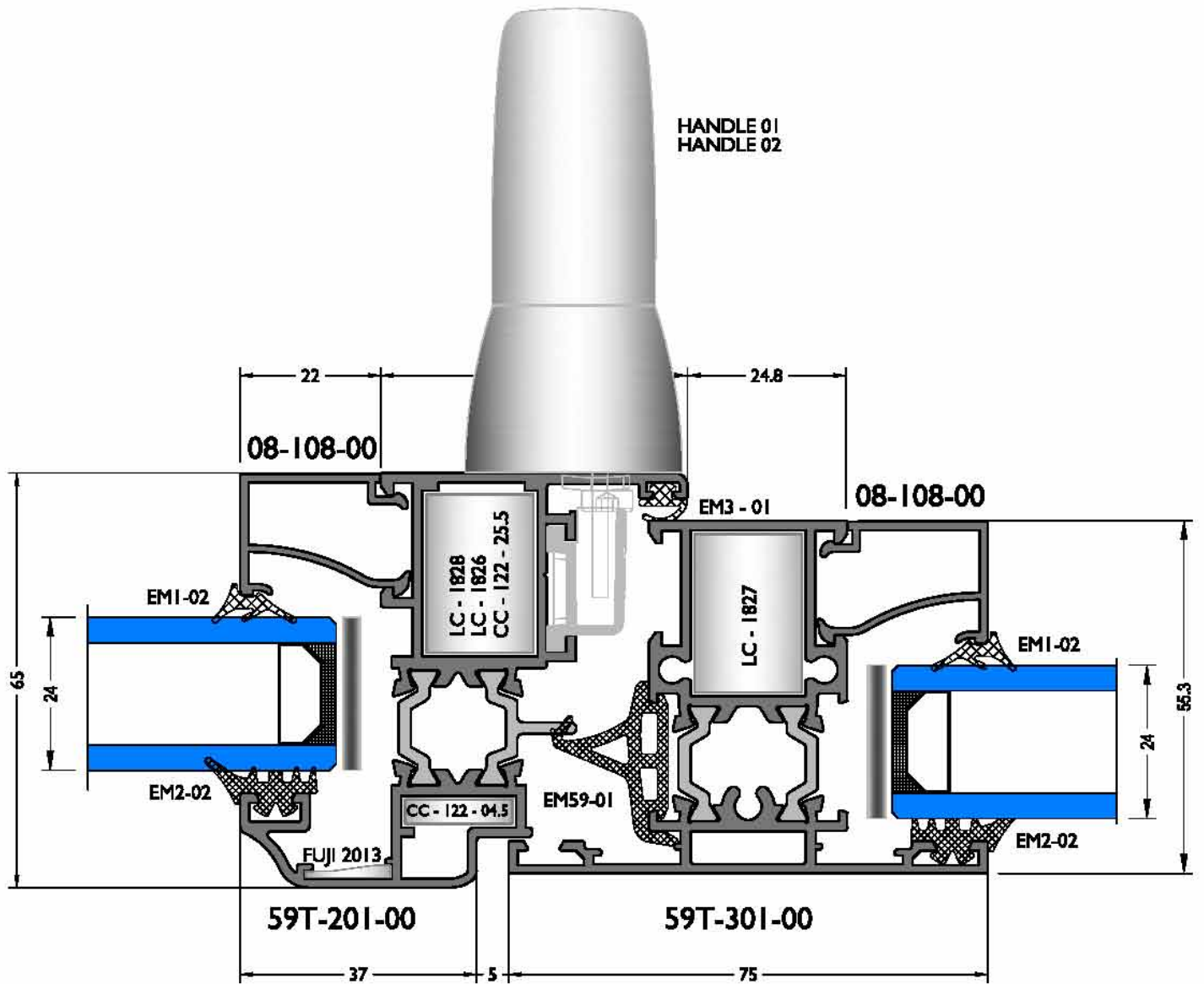
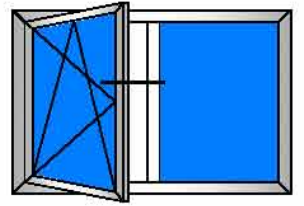
b - DETAILS

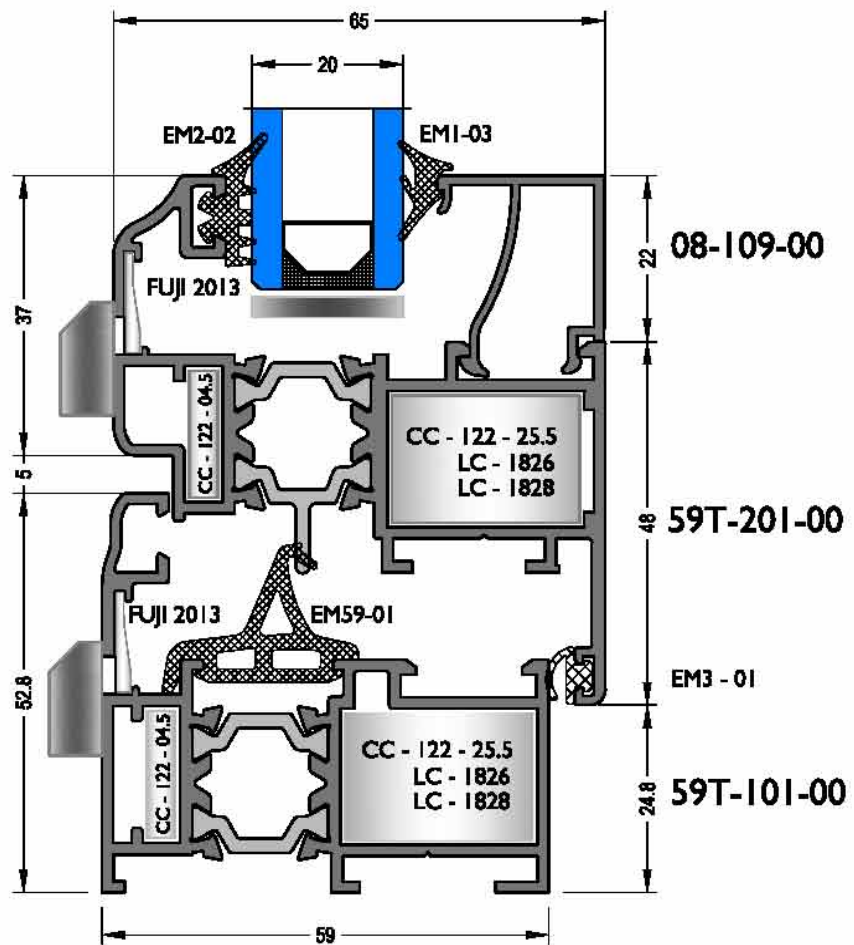
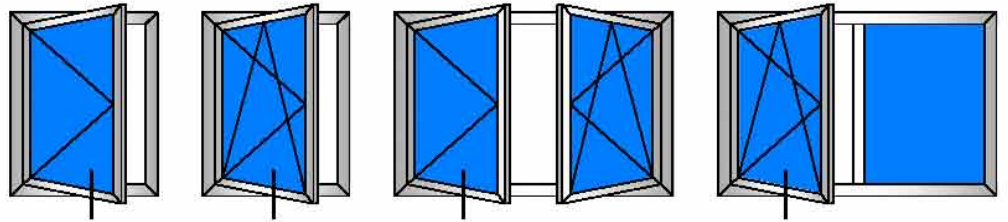


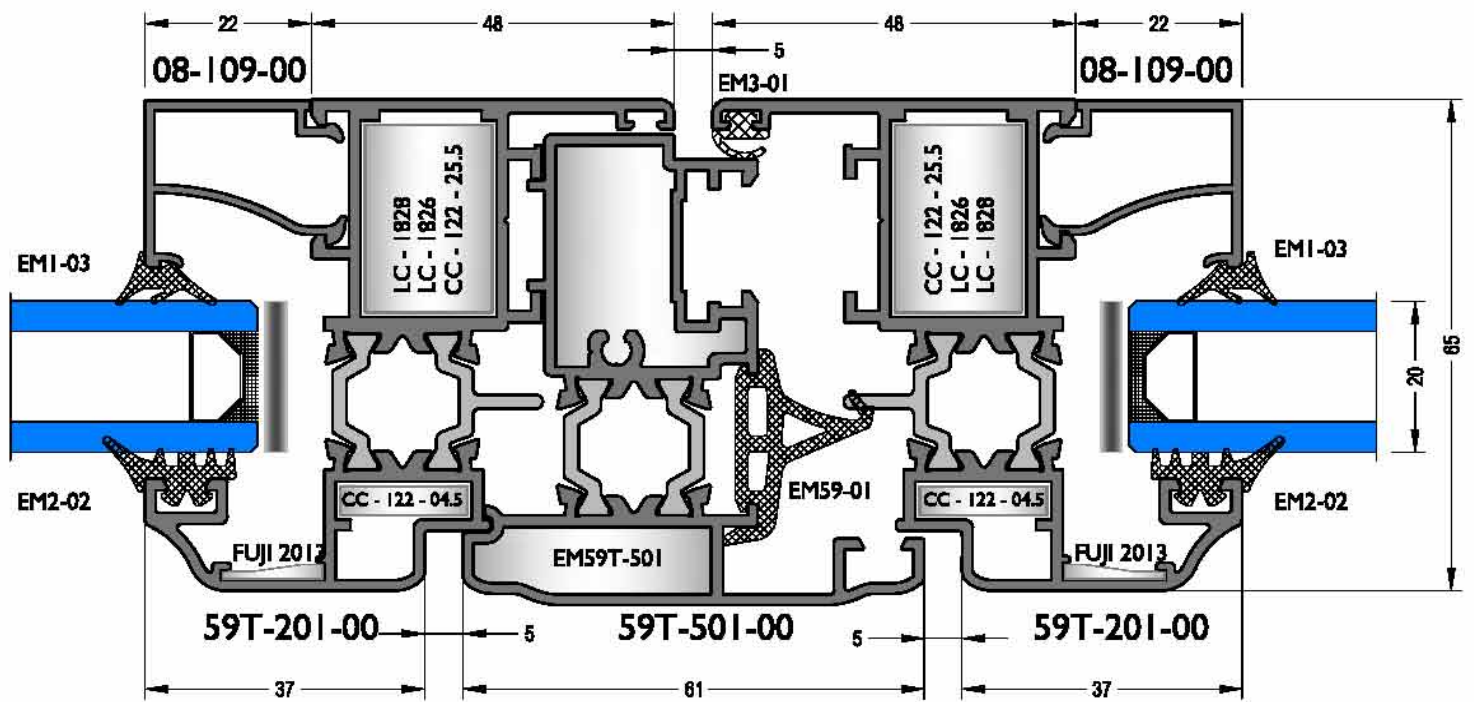
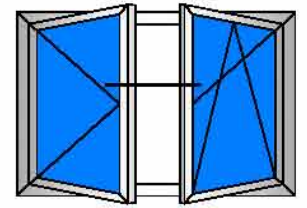




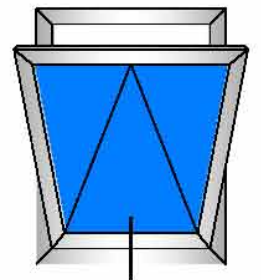
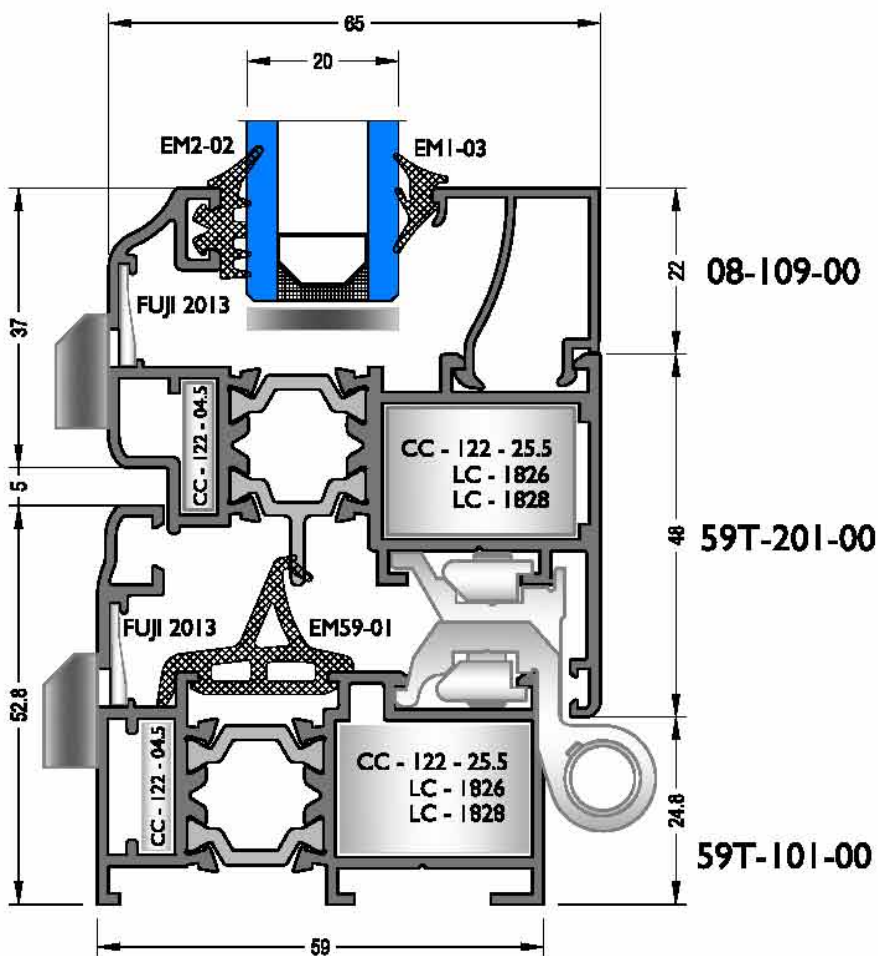
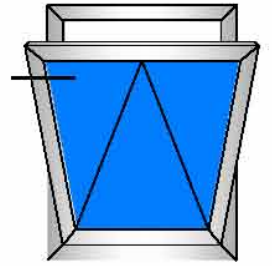
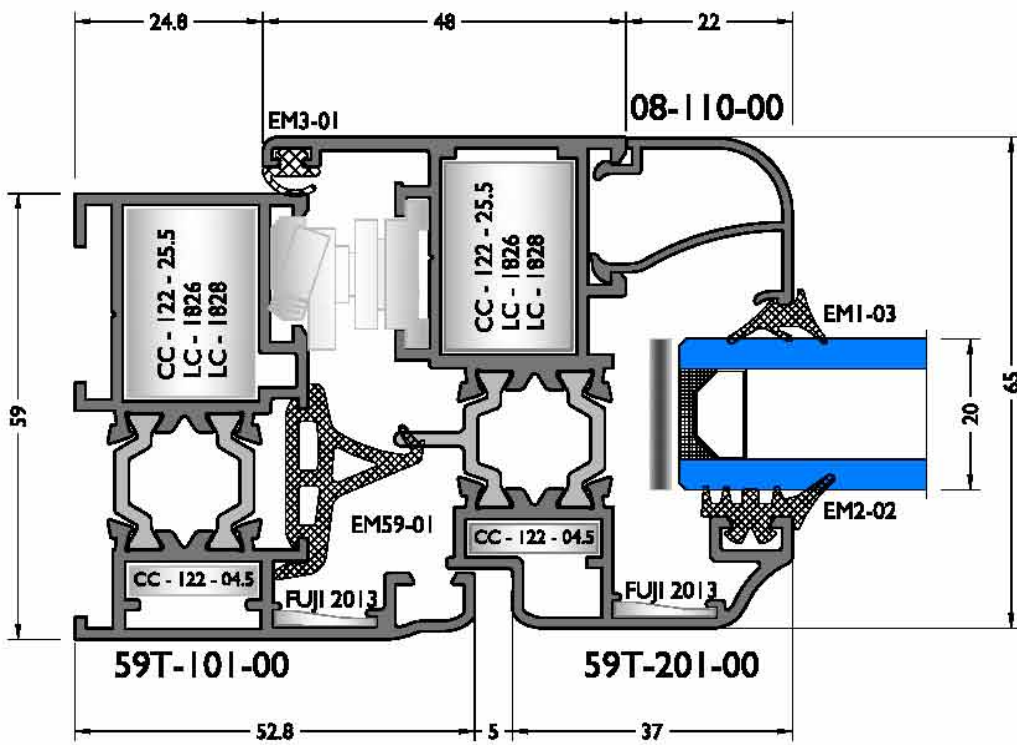


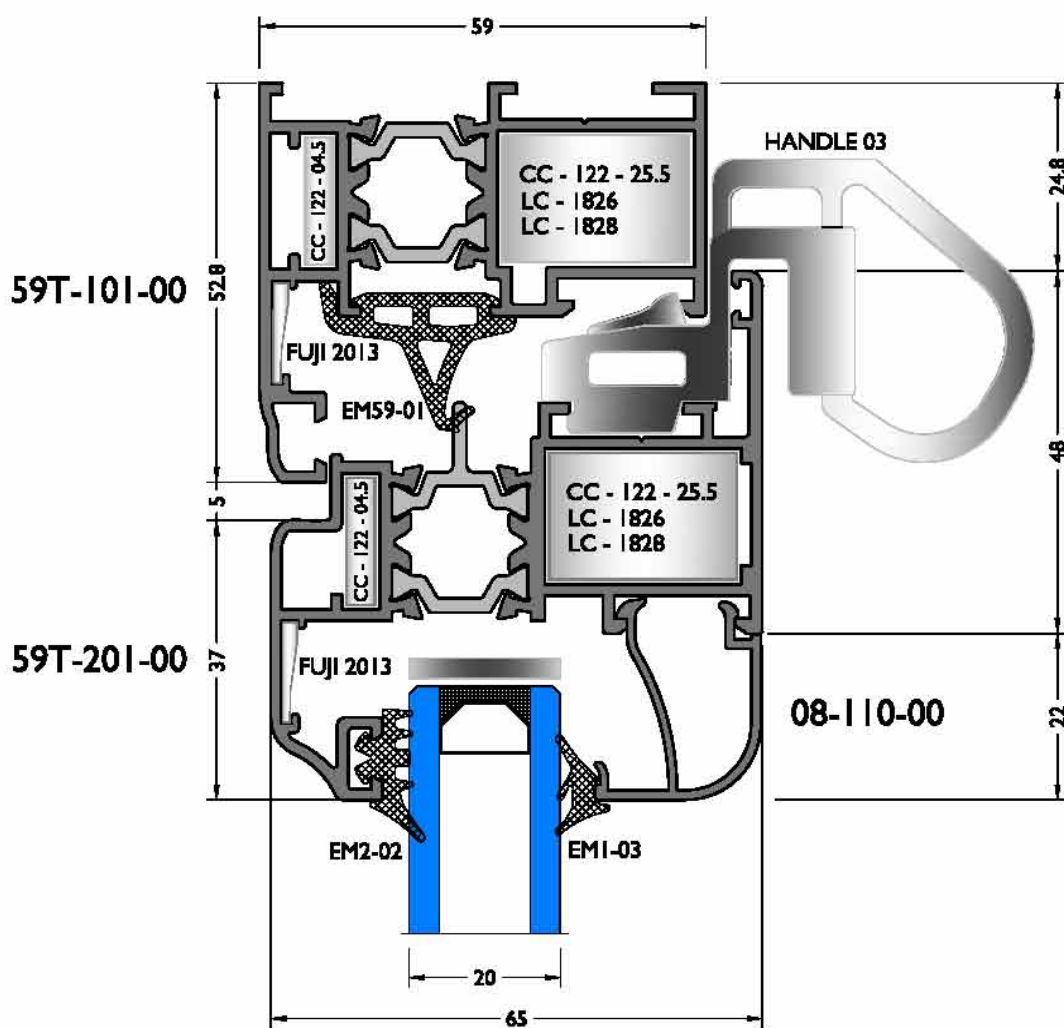
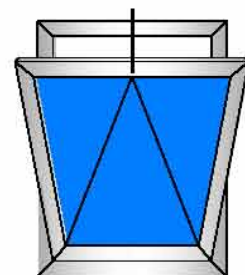


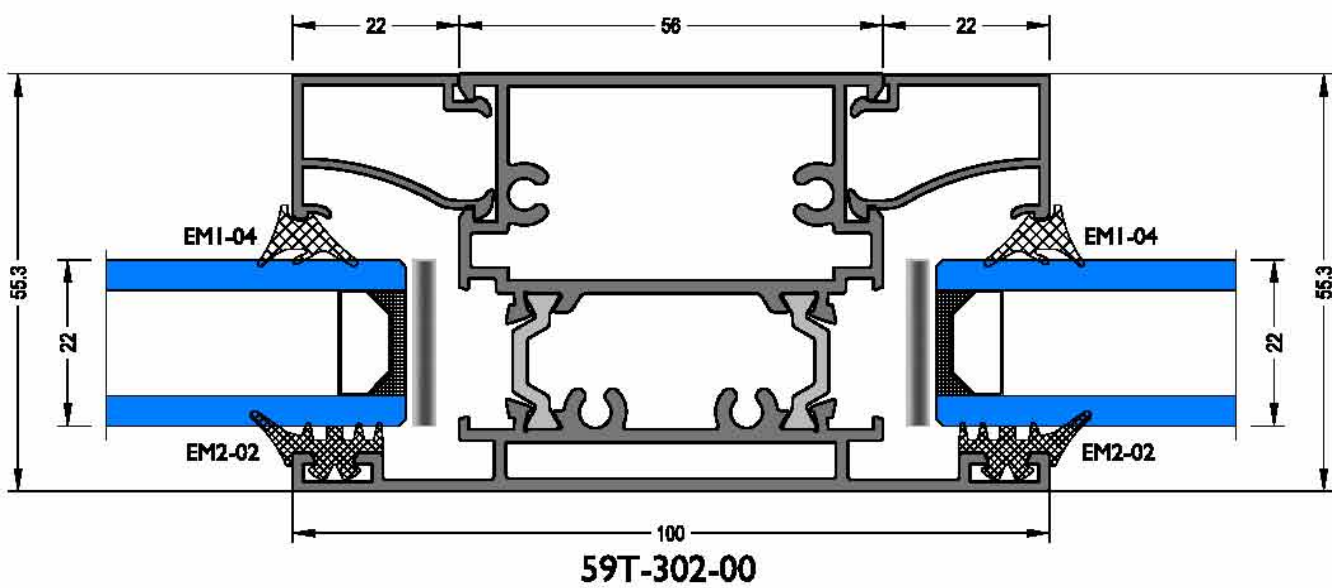
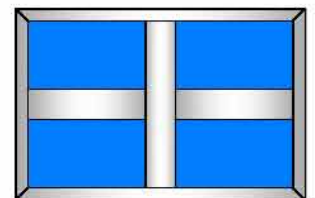
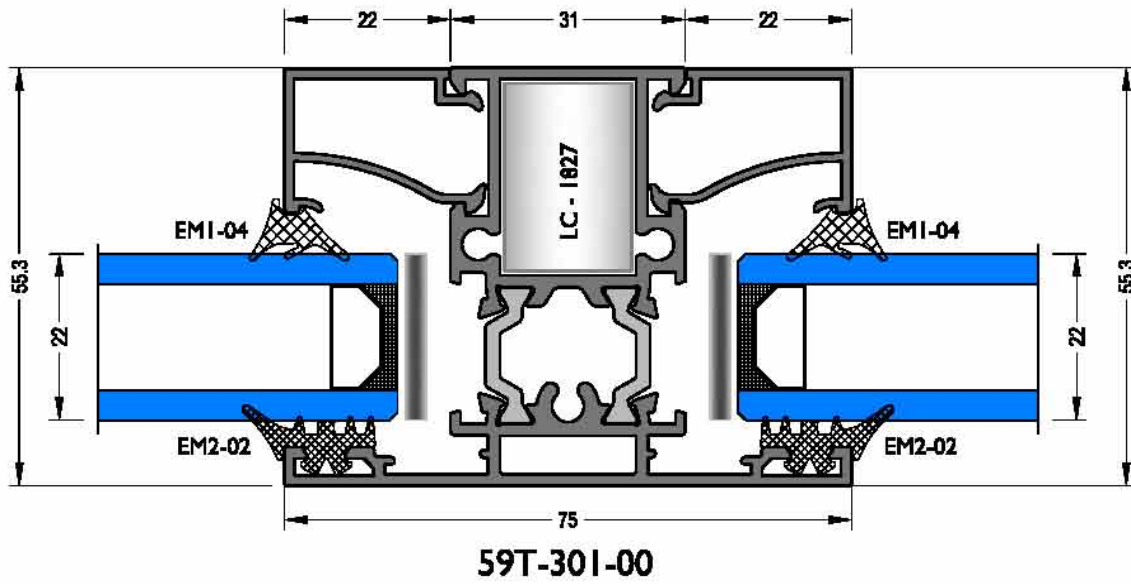
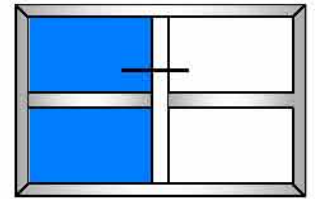


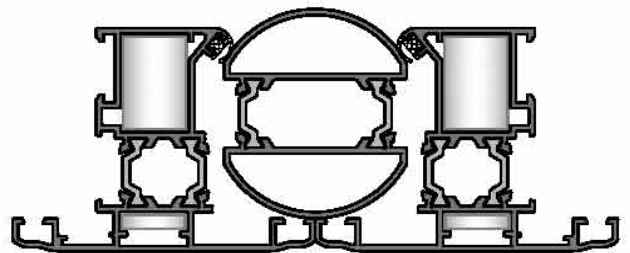
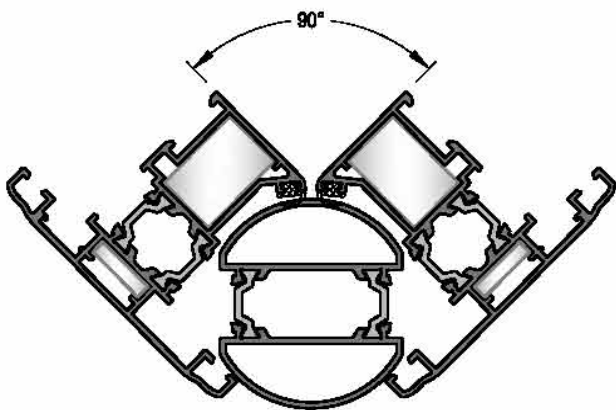
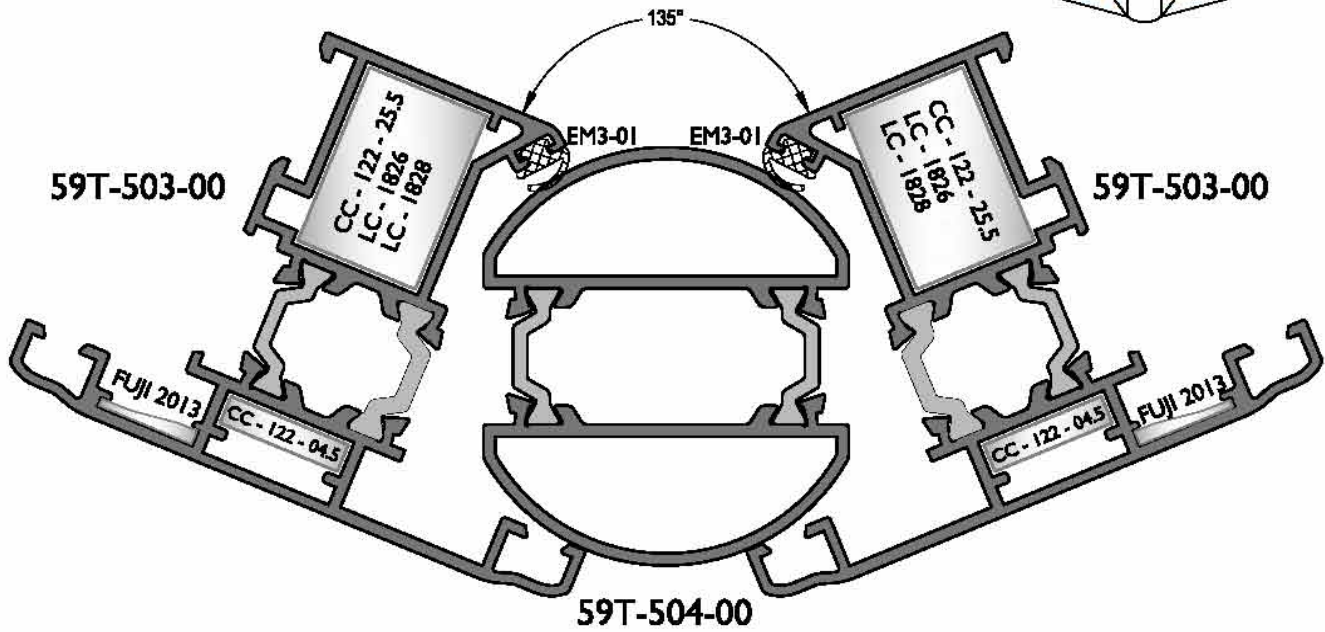
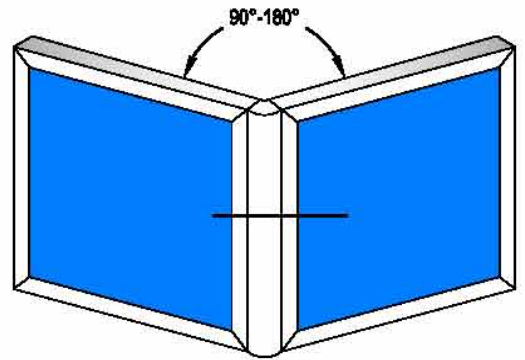




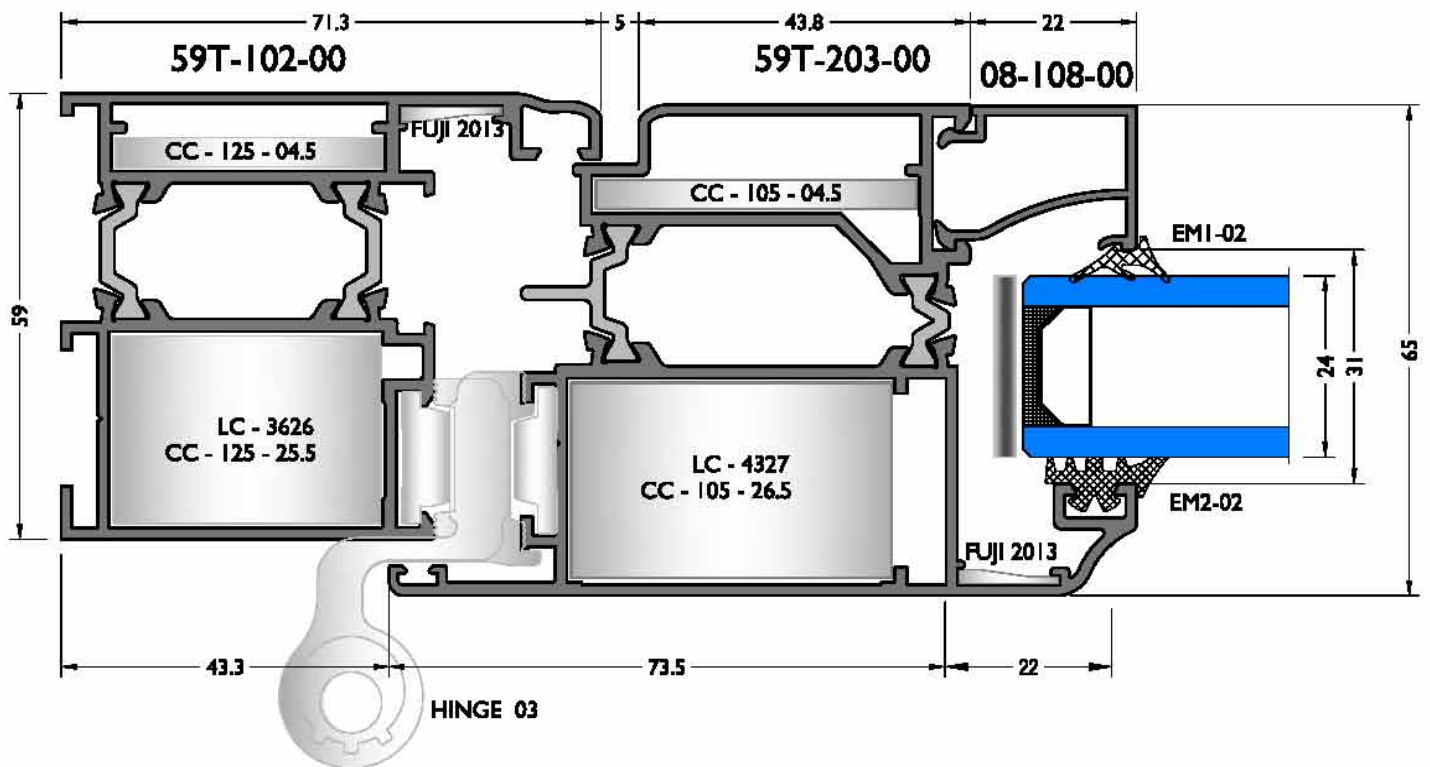
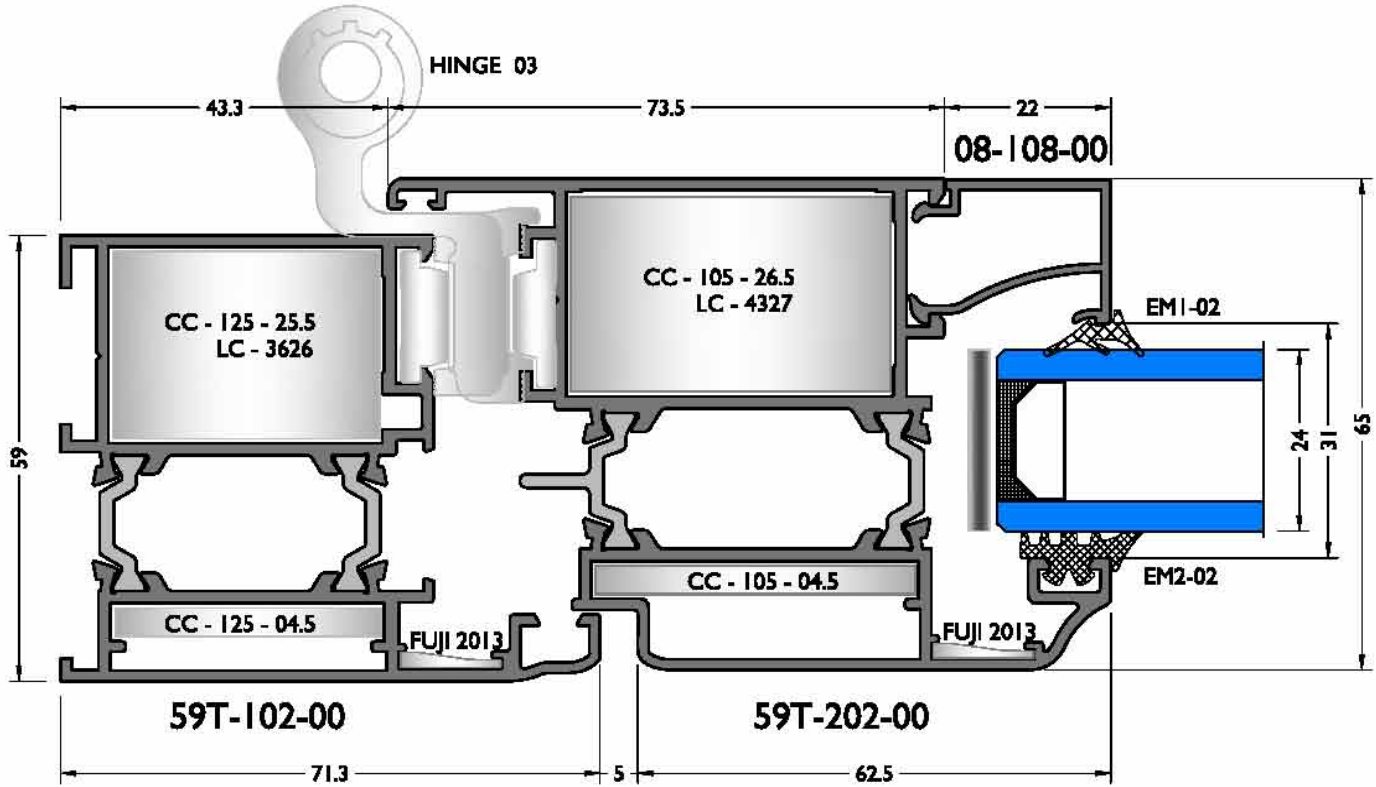
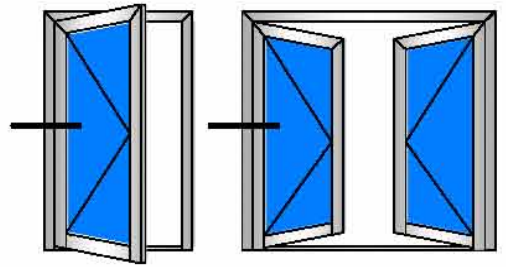


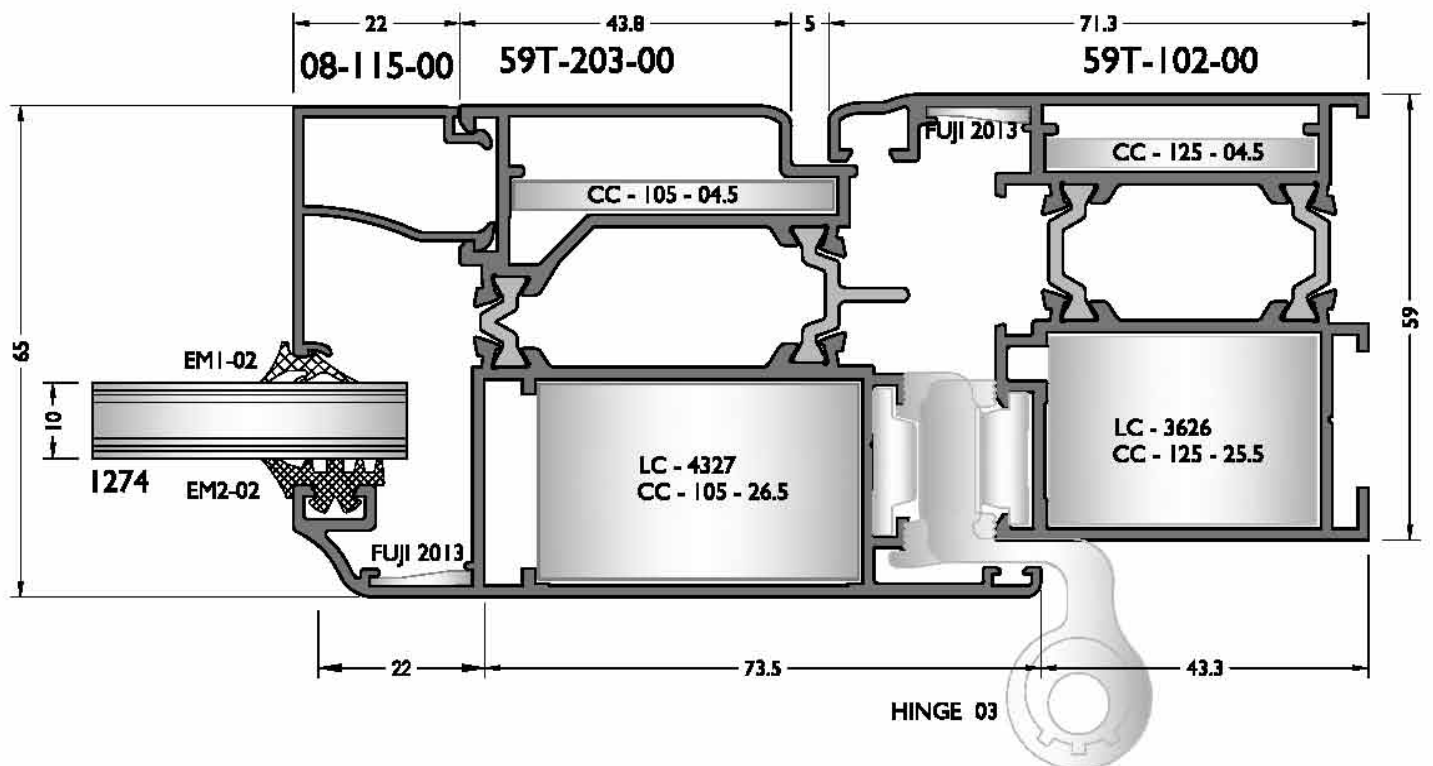
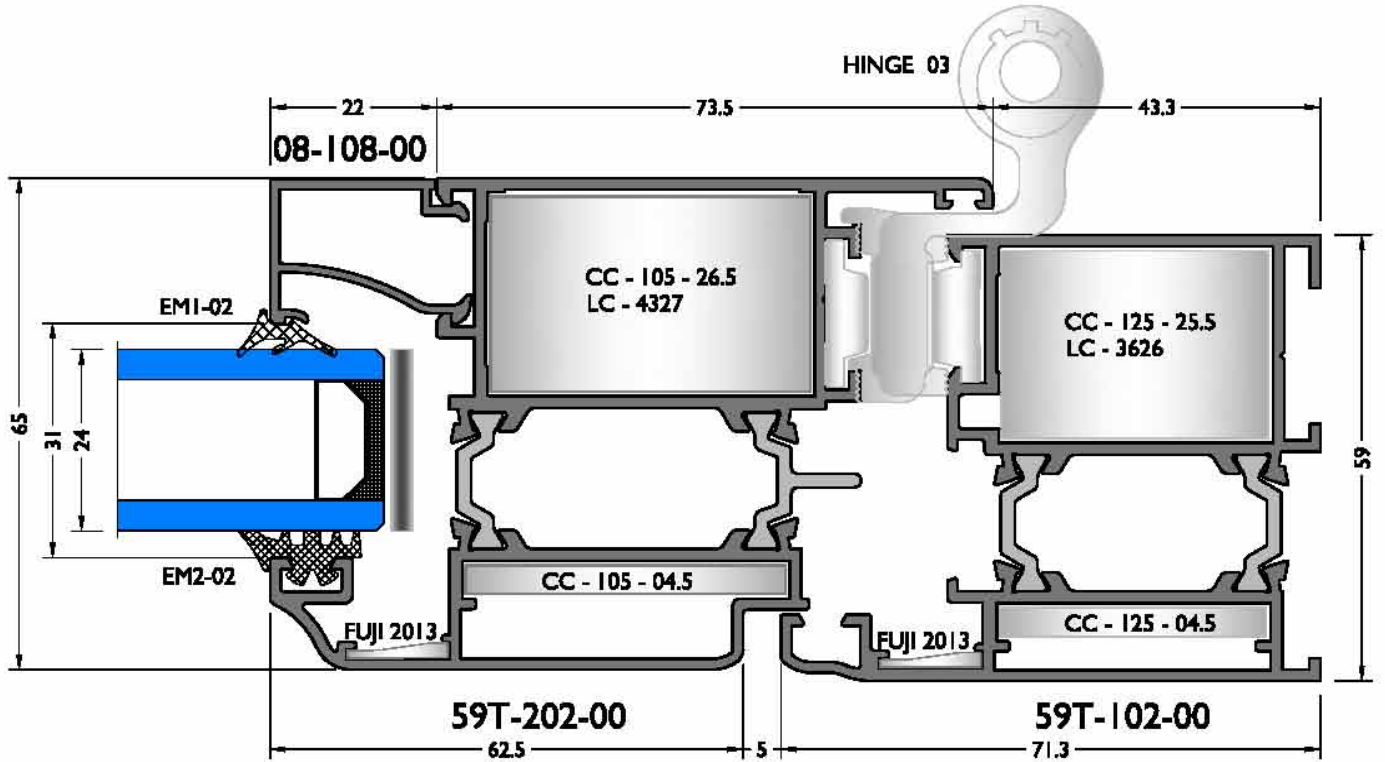
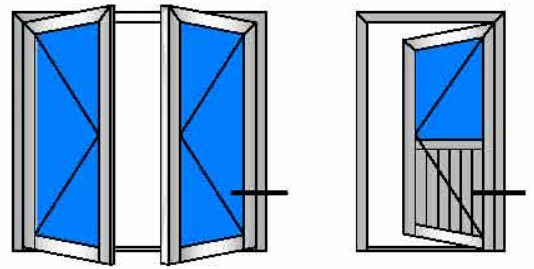


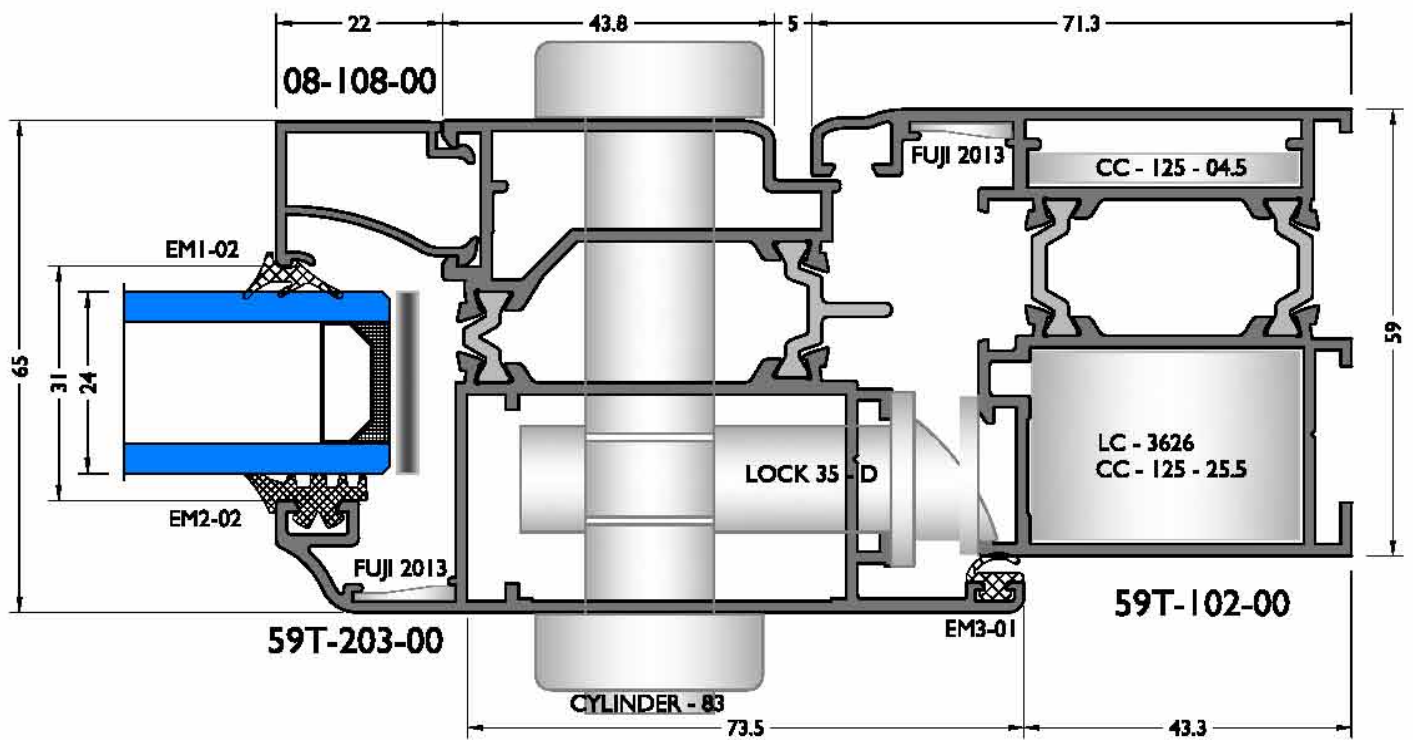
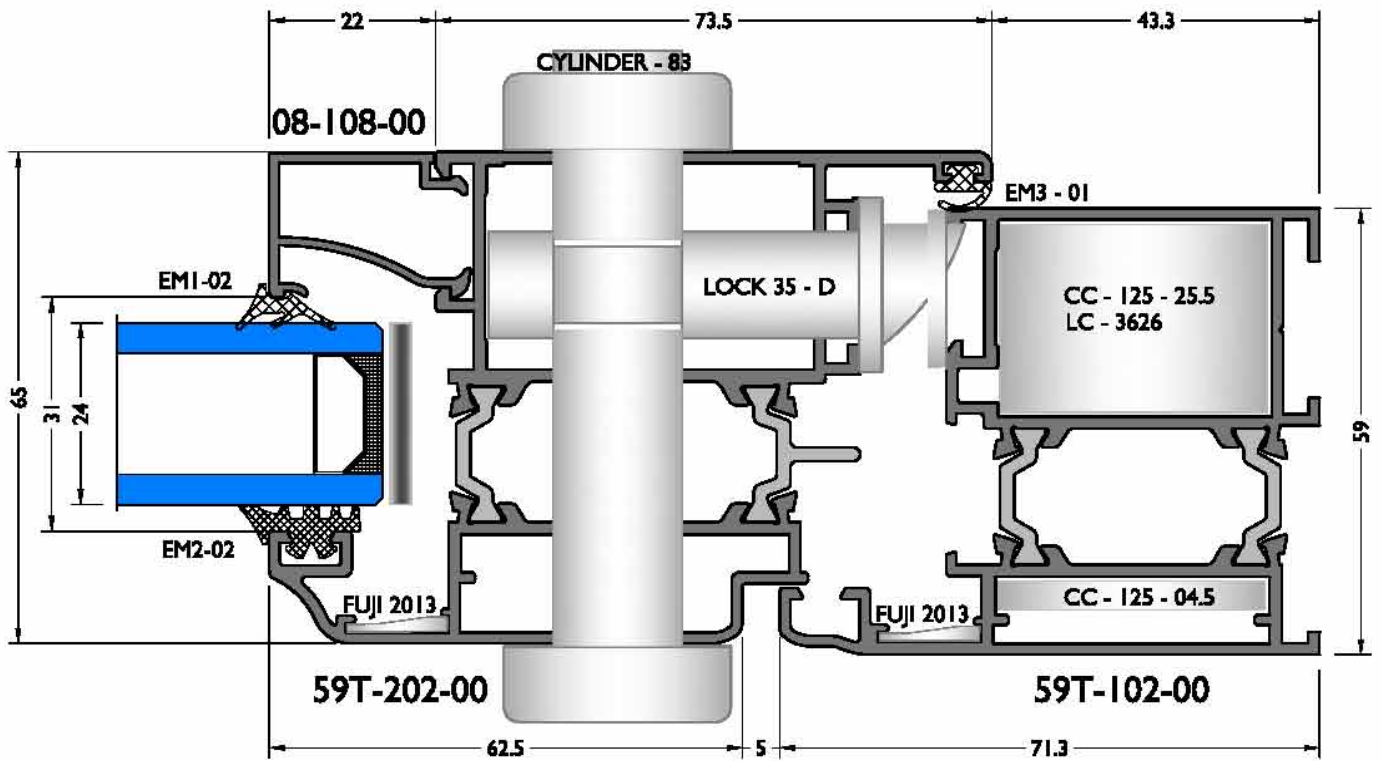
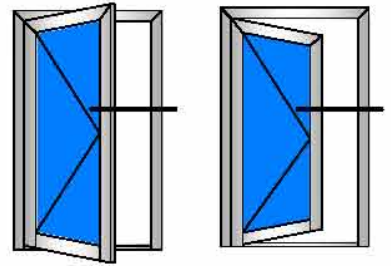


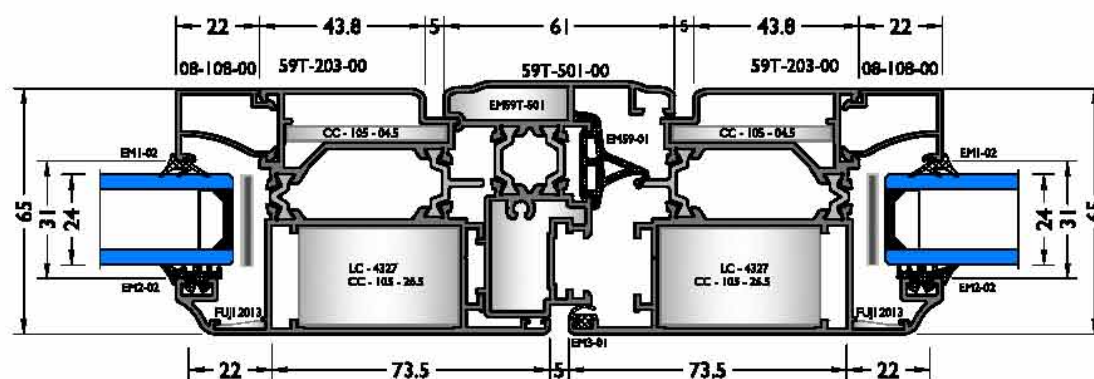
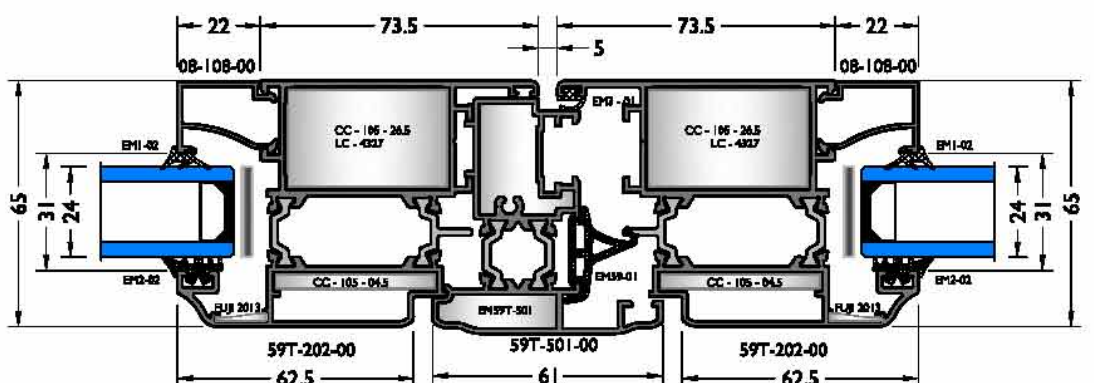
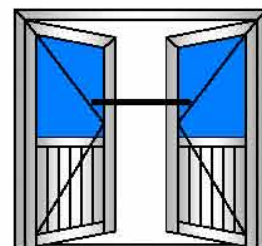
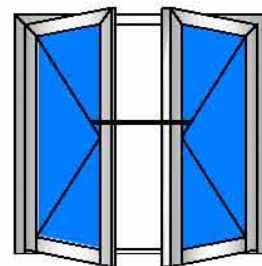


Scale : 1/2



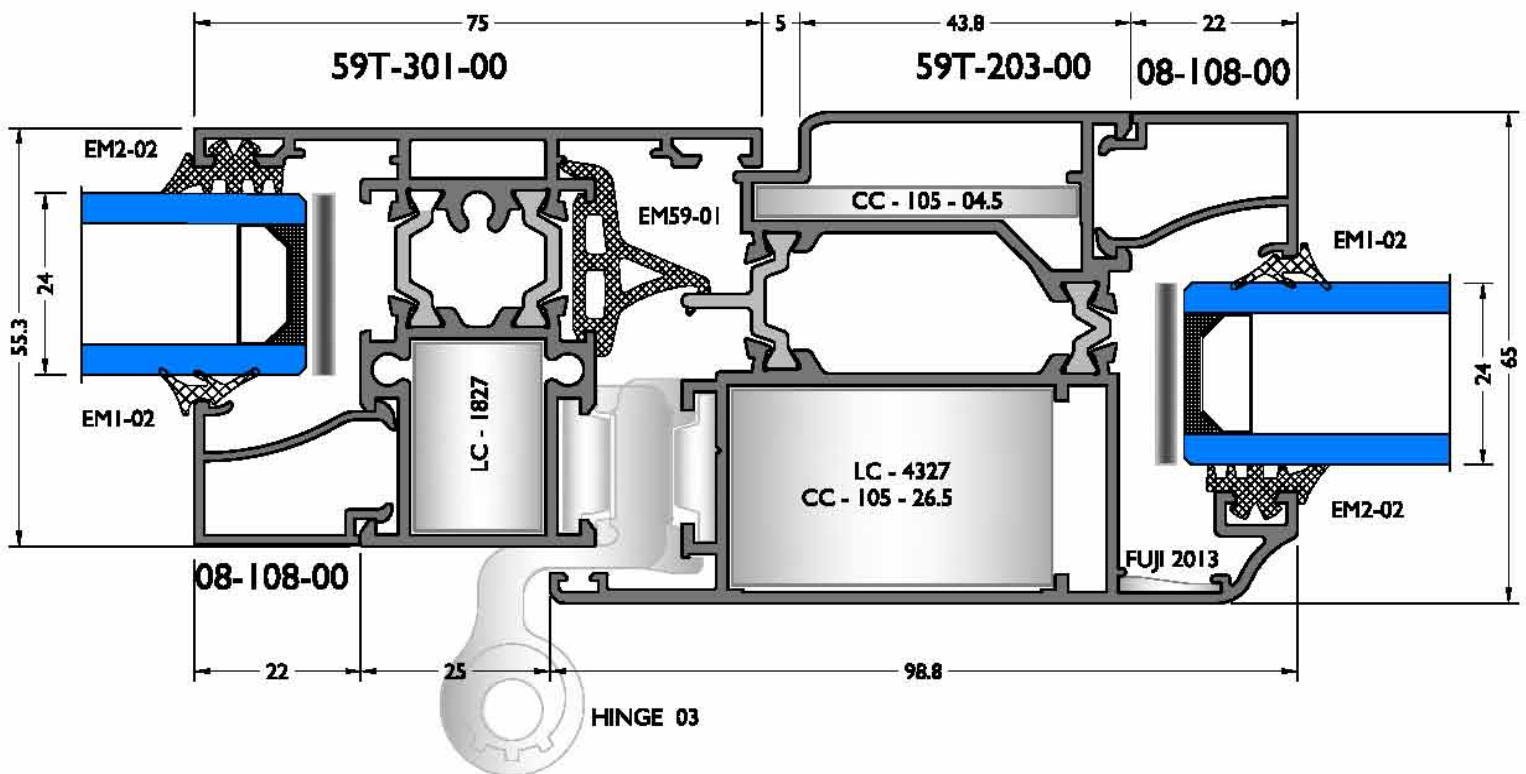
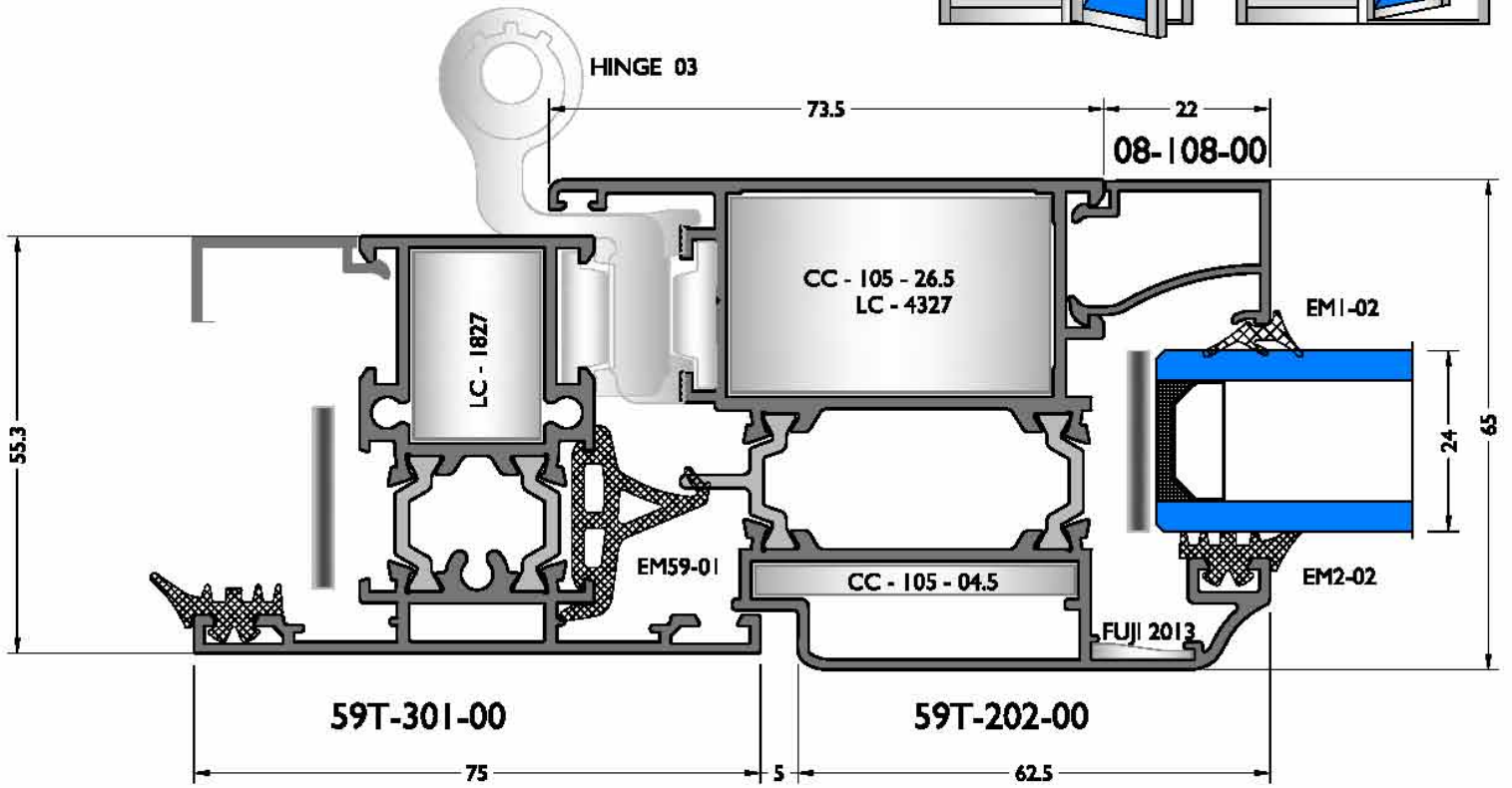
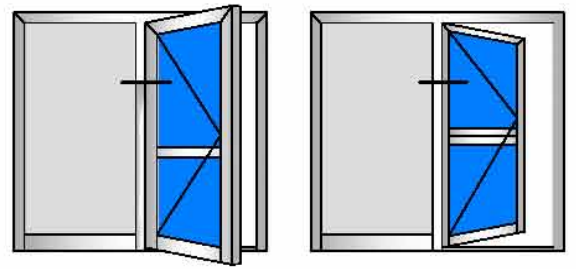


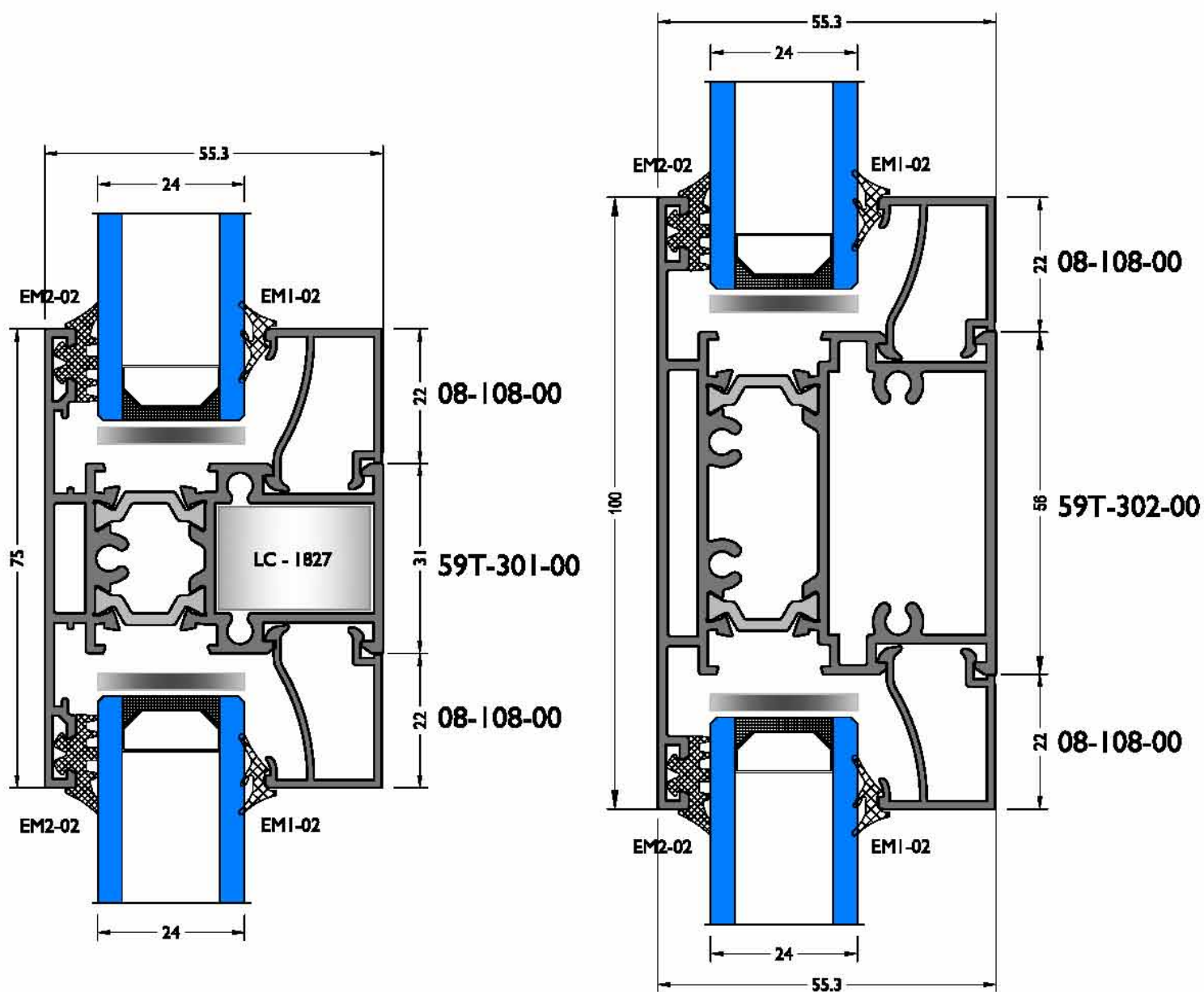
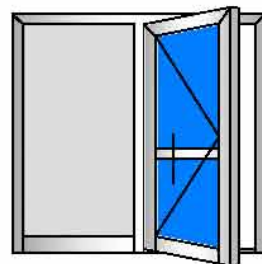


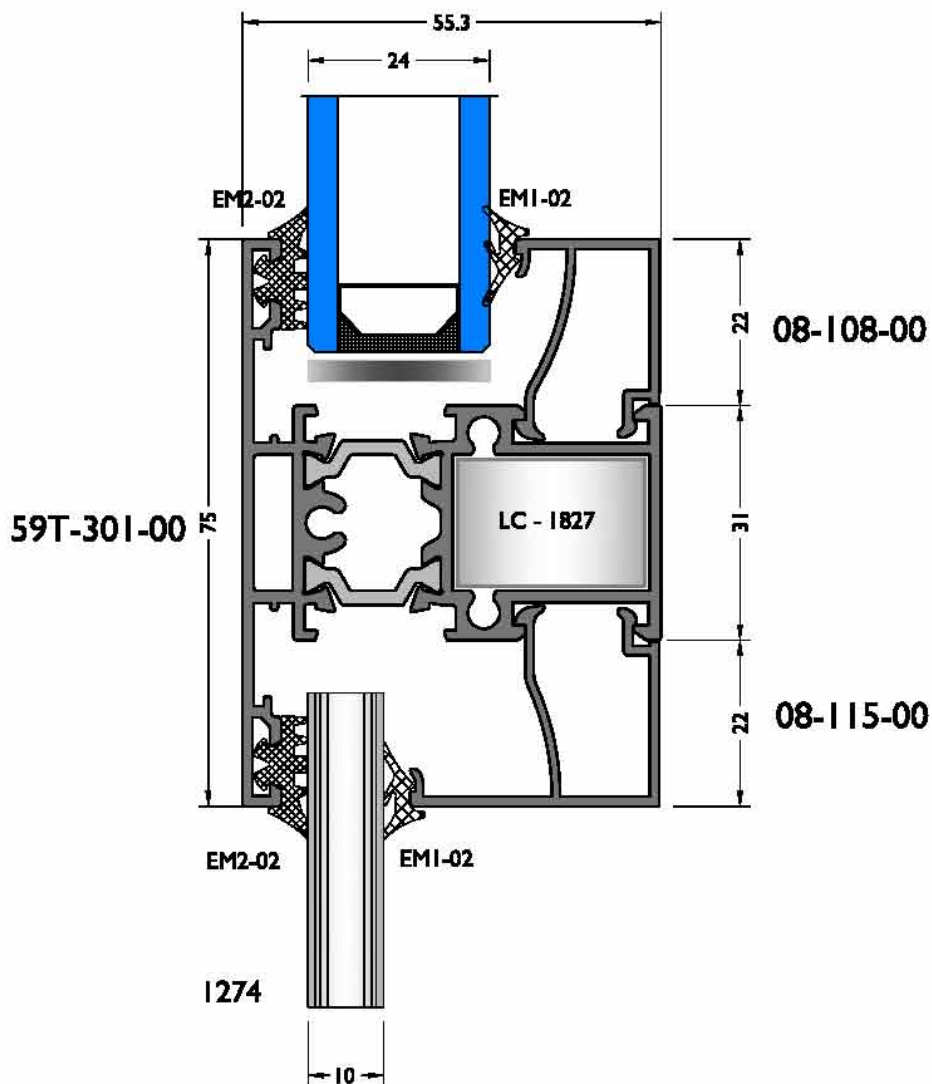
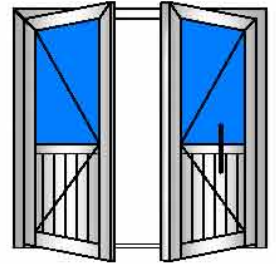
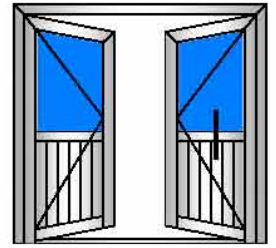


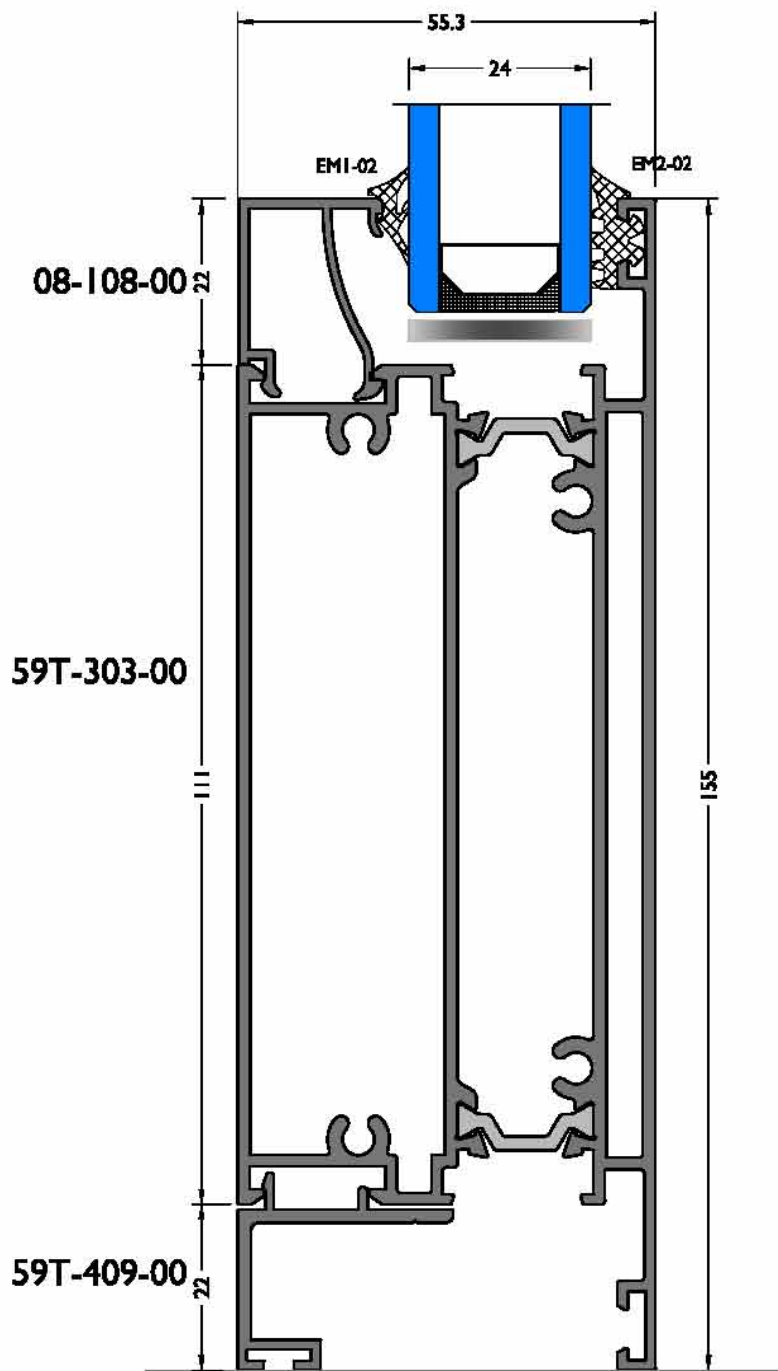
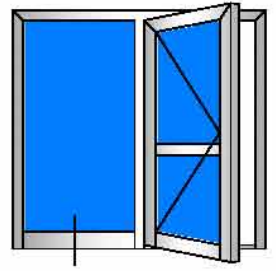
Scale : 1/2

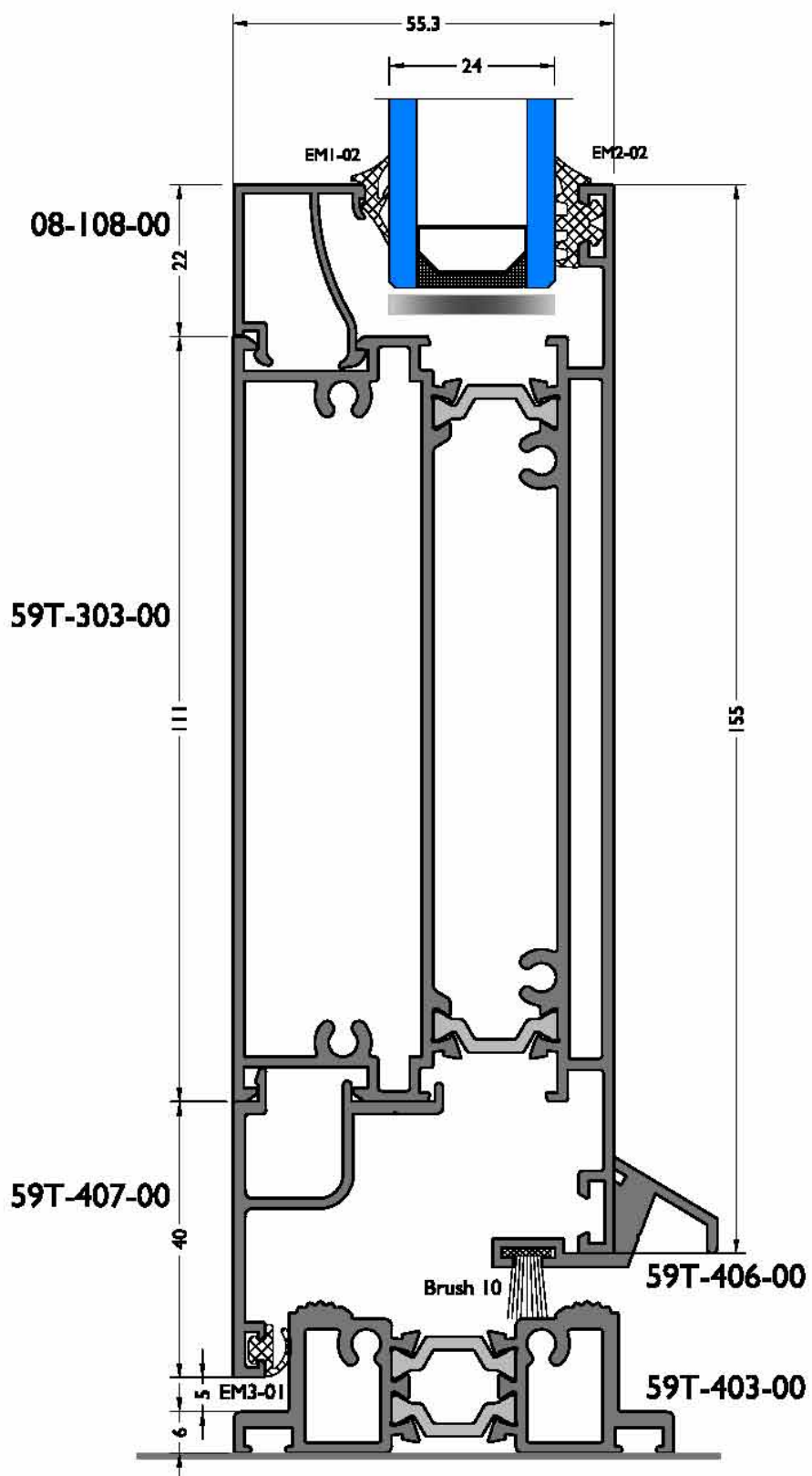
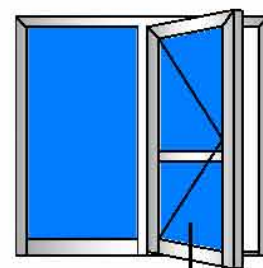


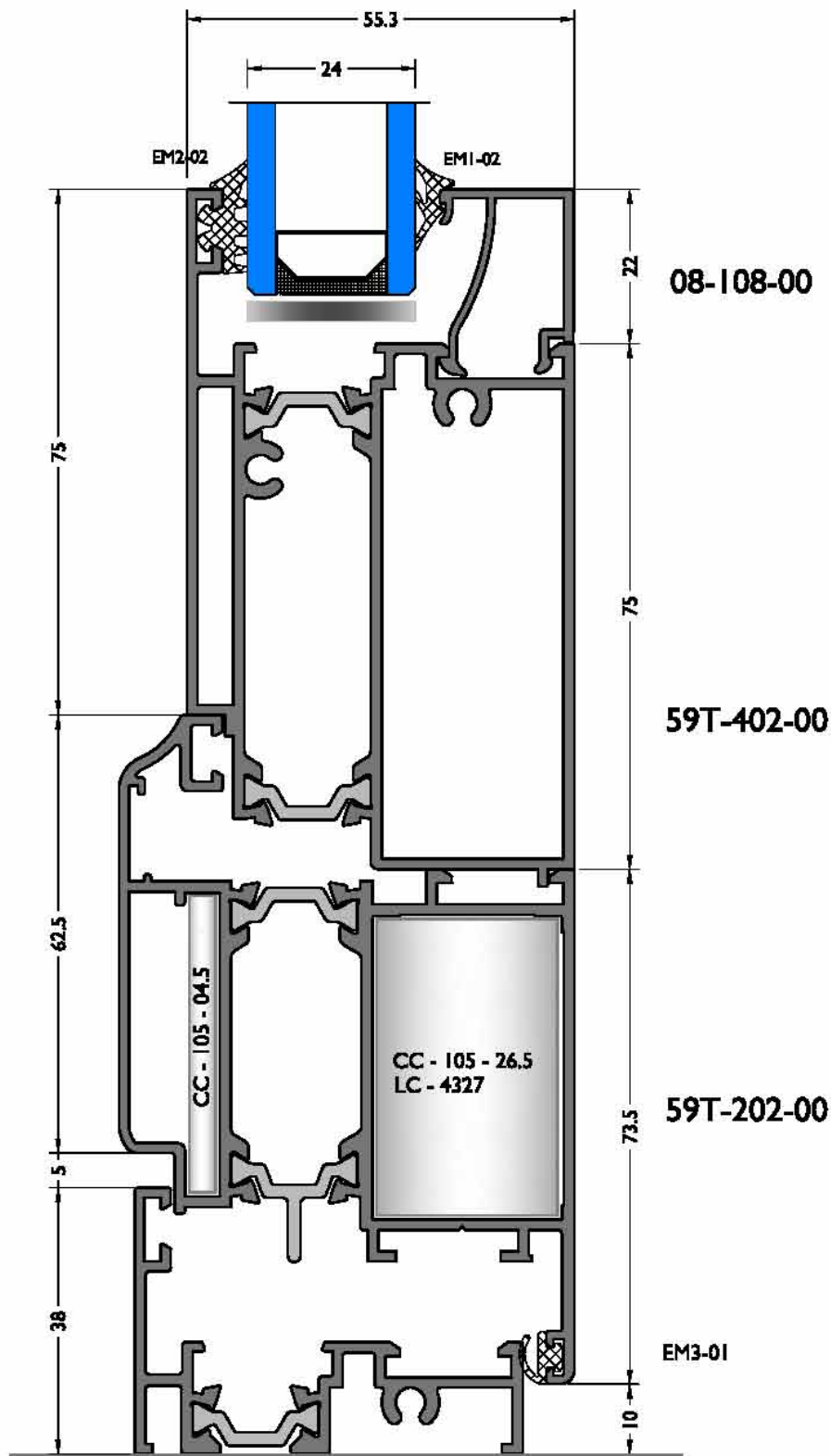
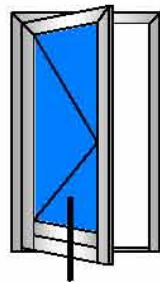


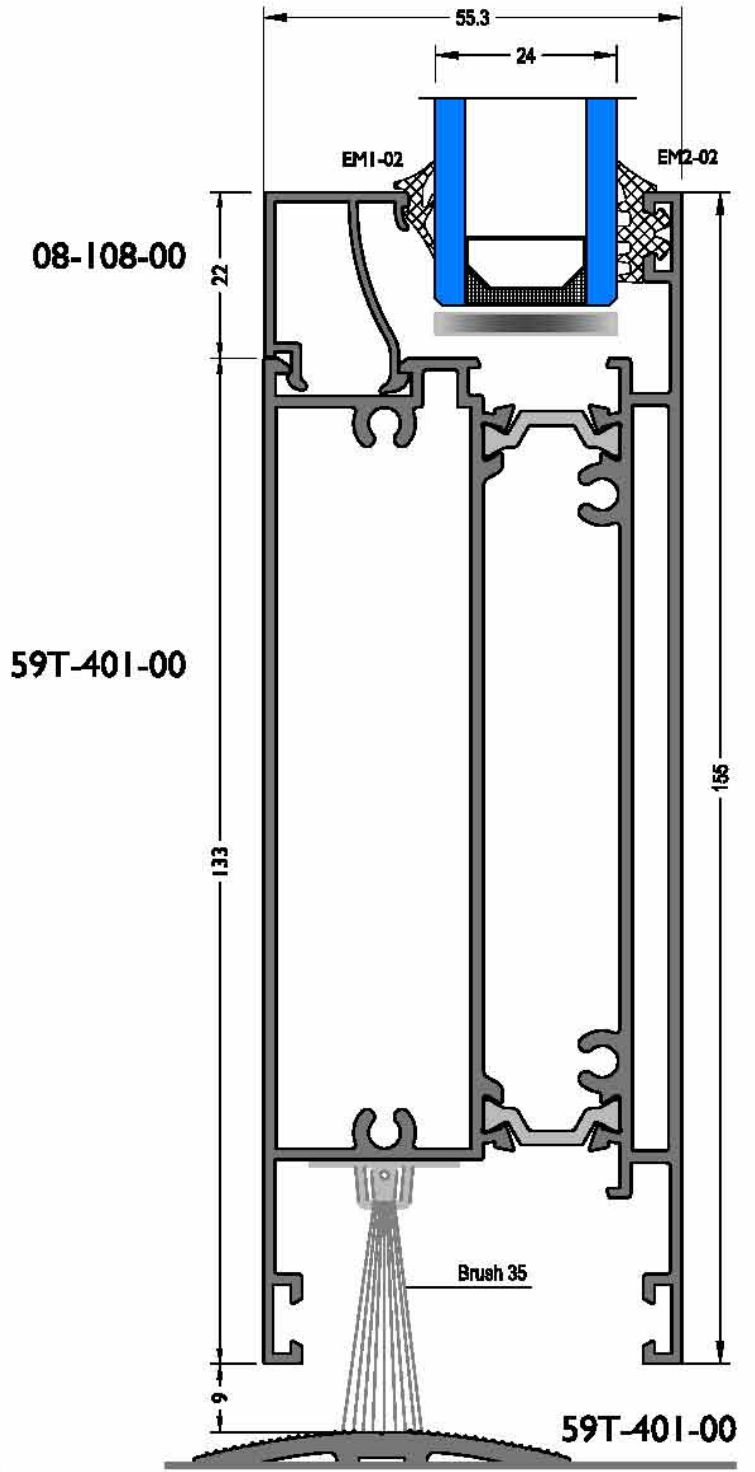
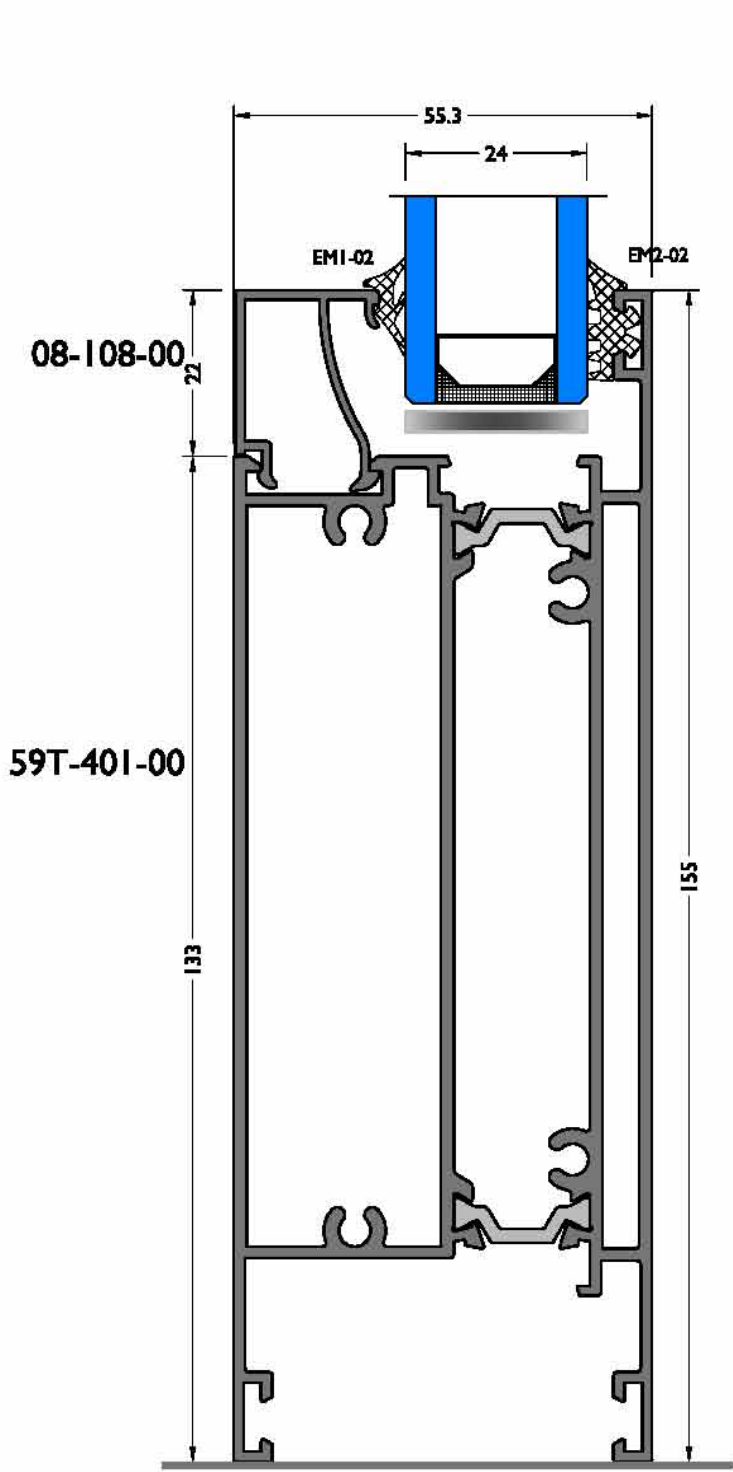
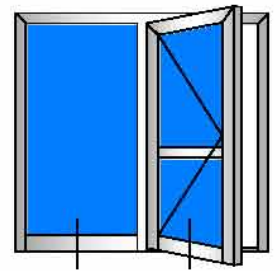


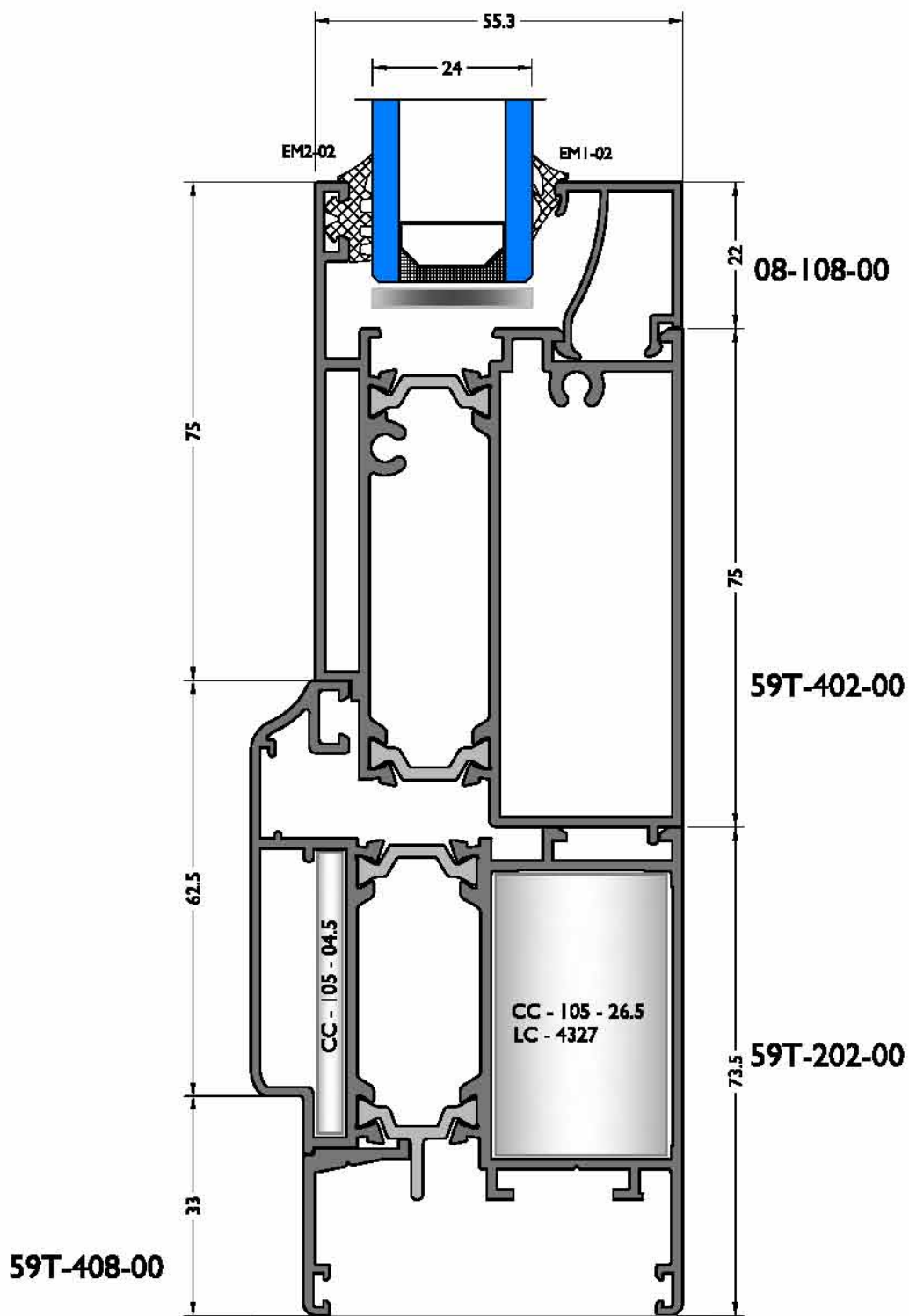
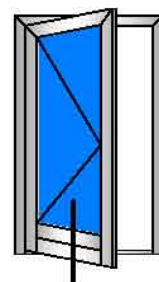




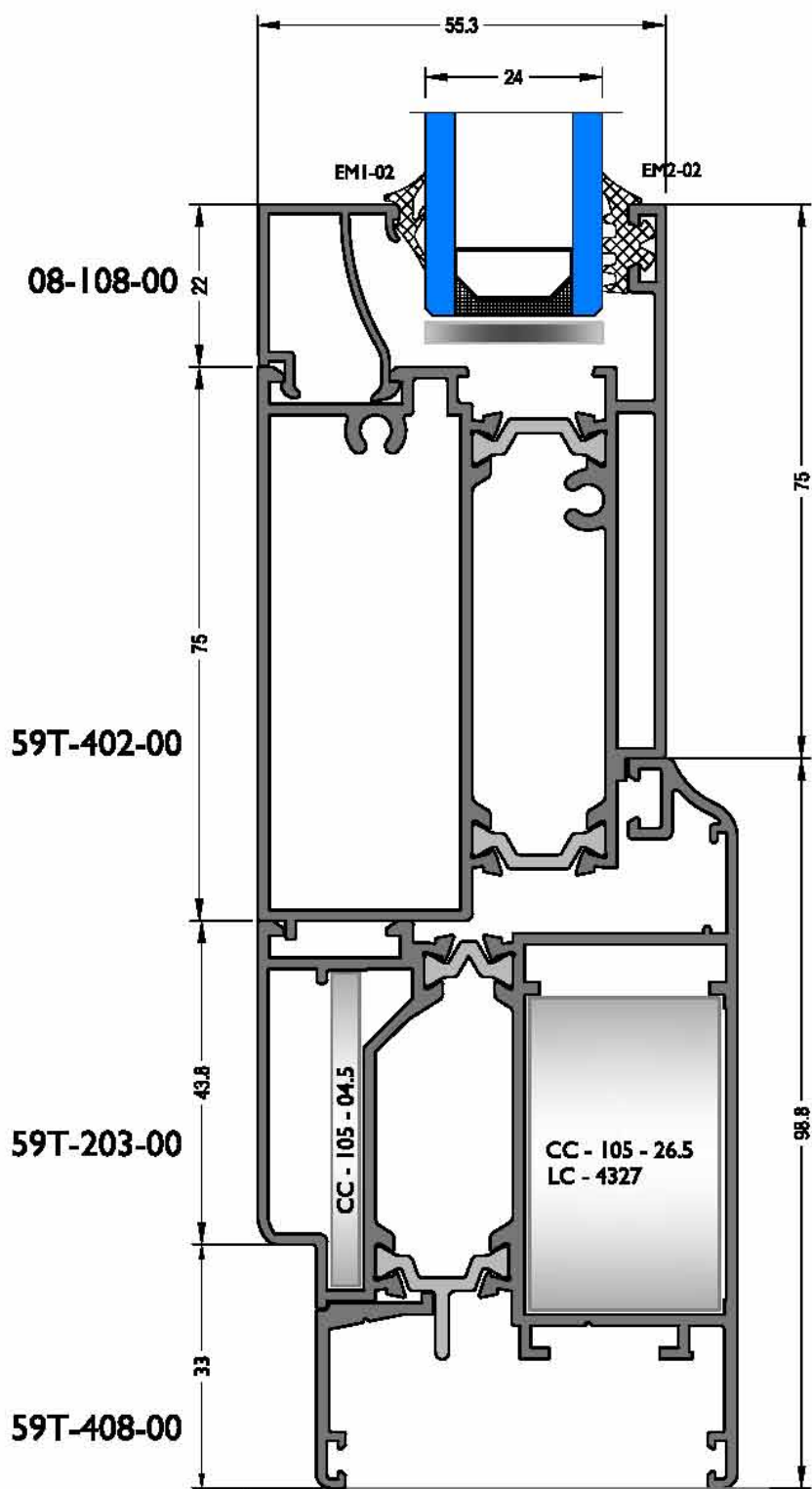
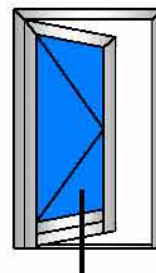


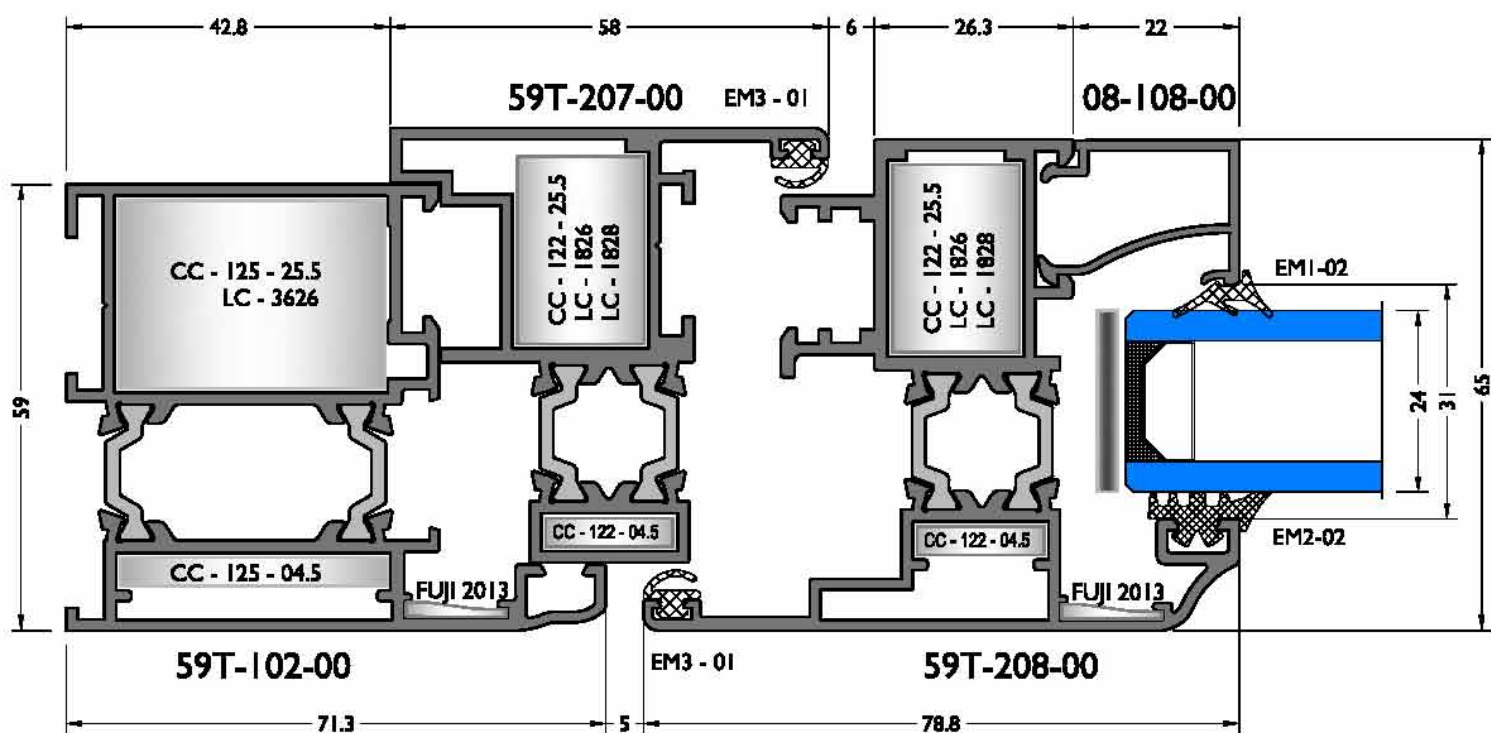
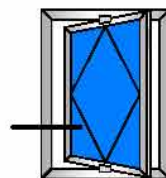


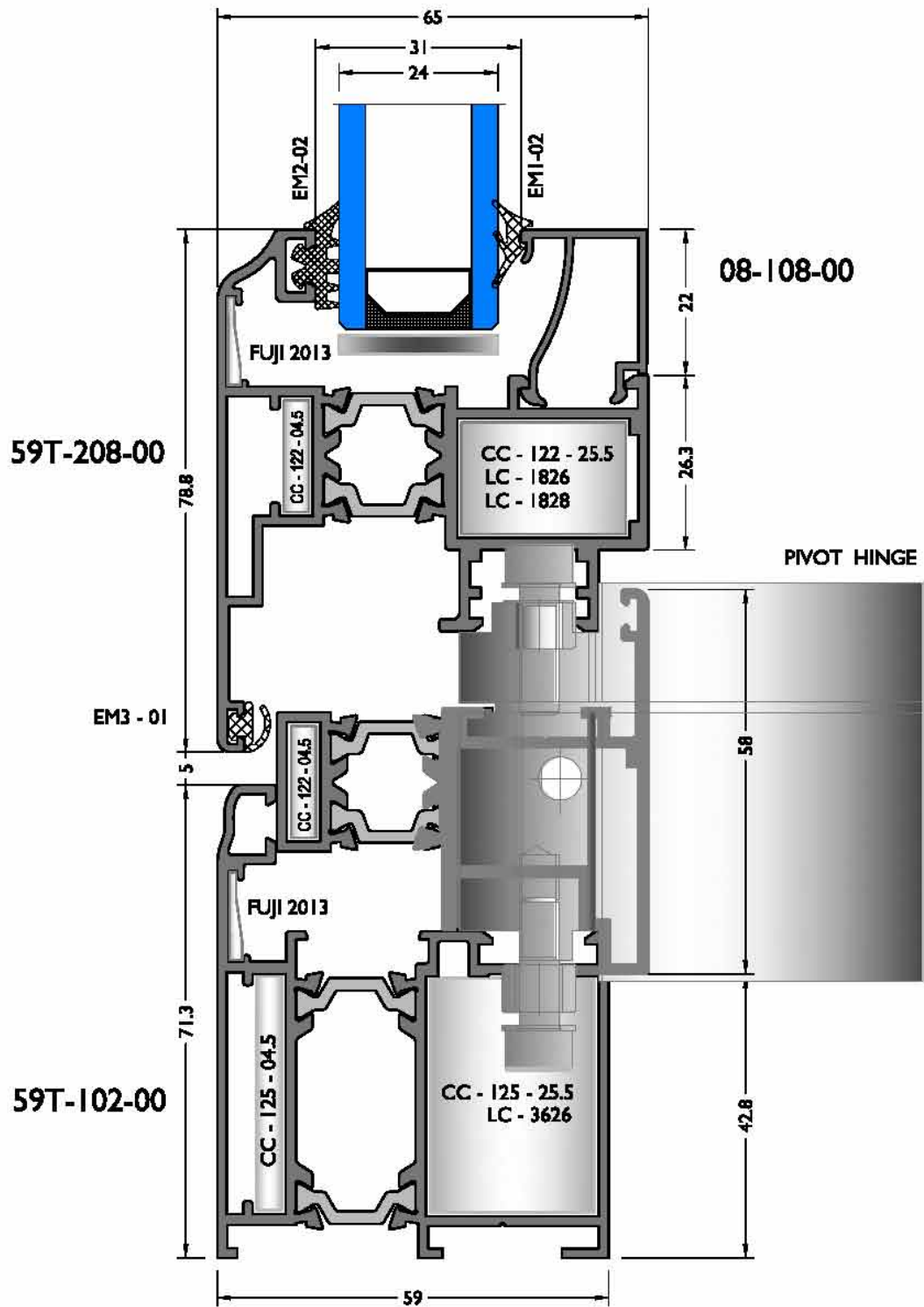
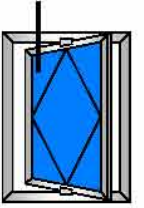


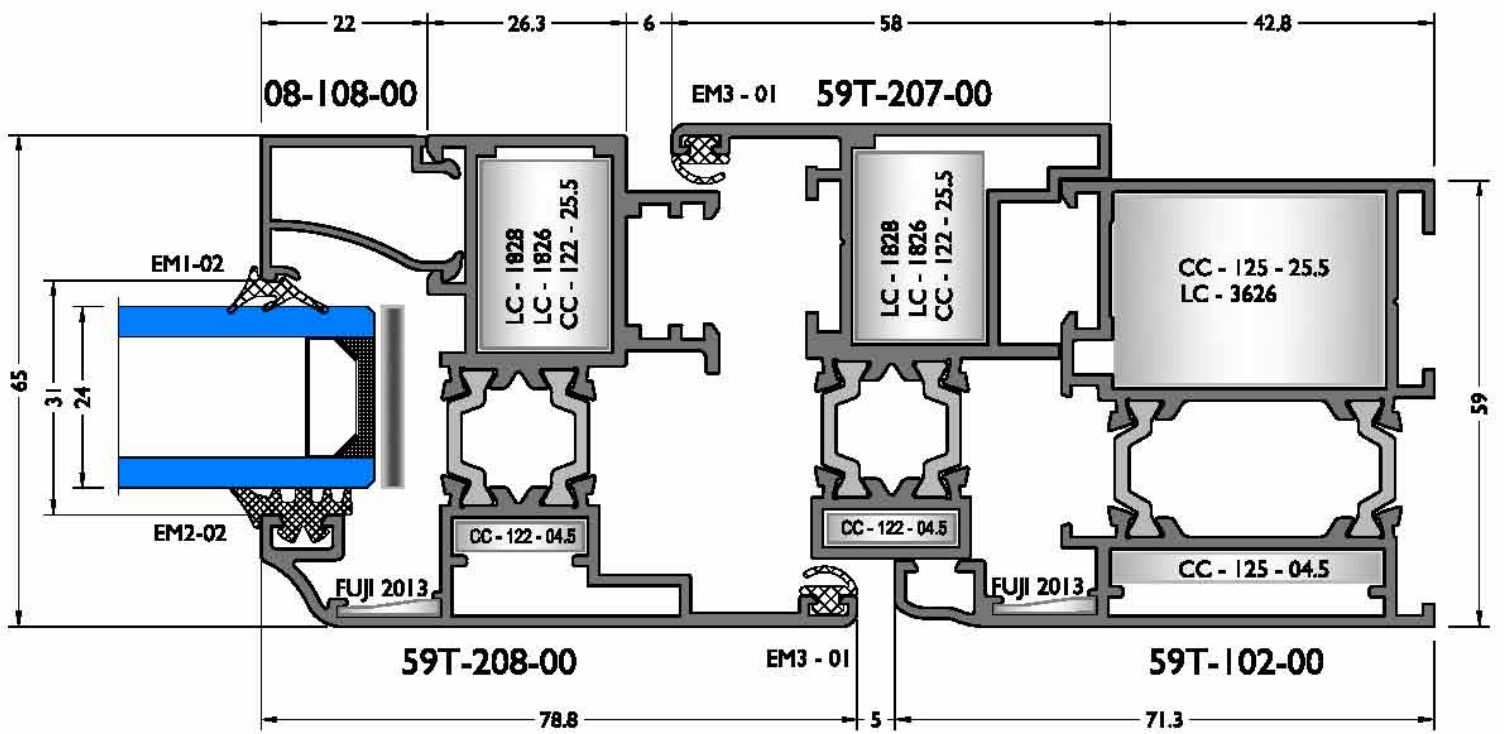
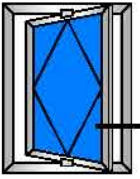


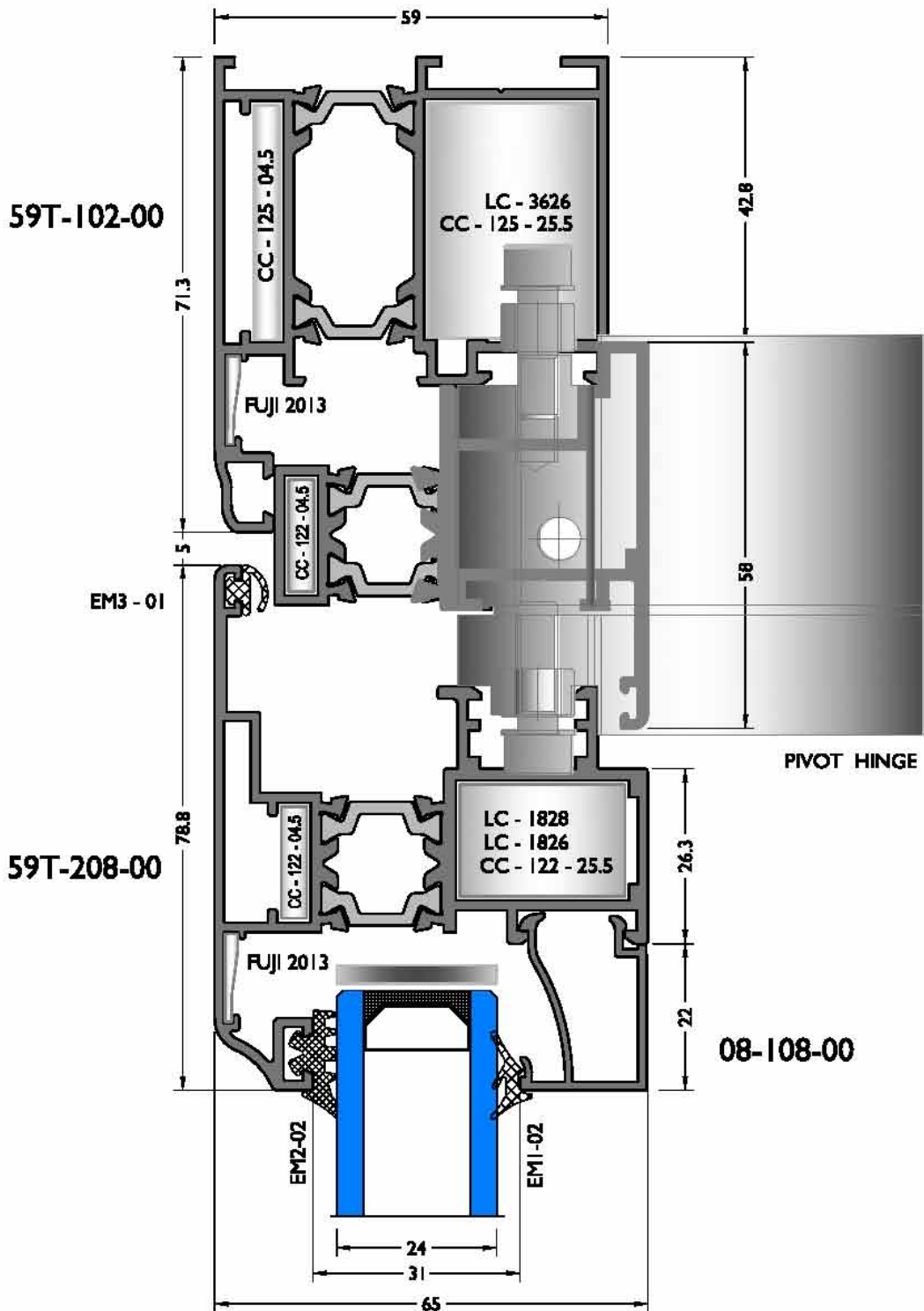
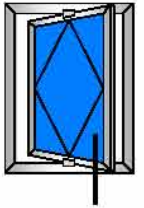




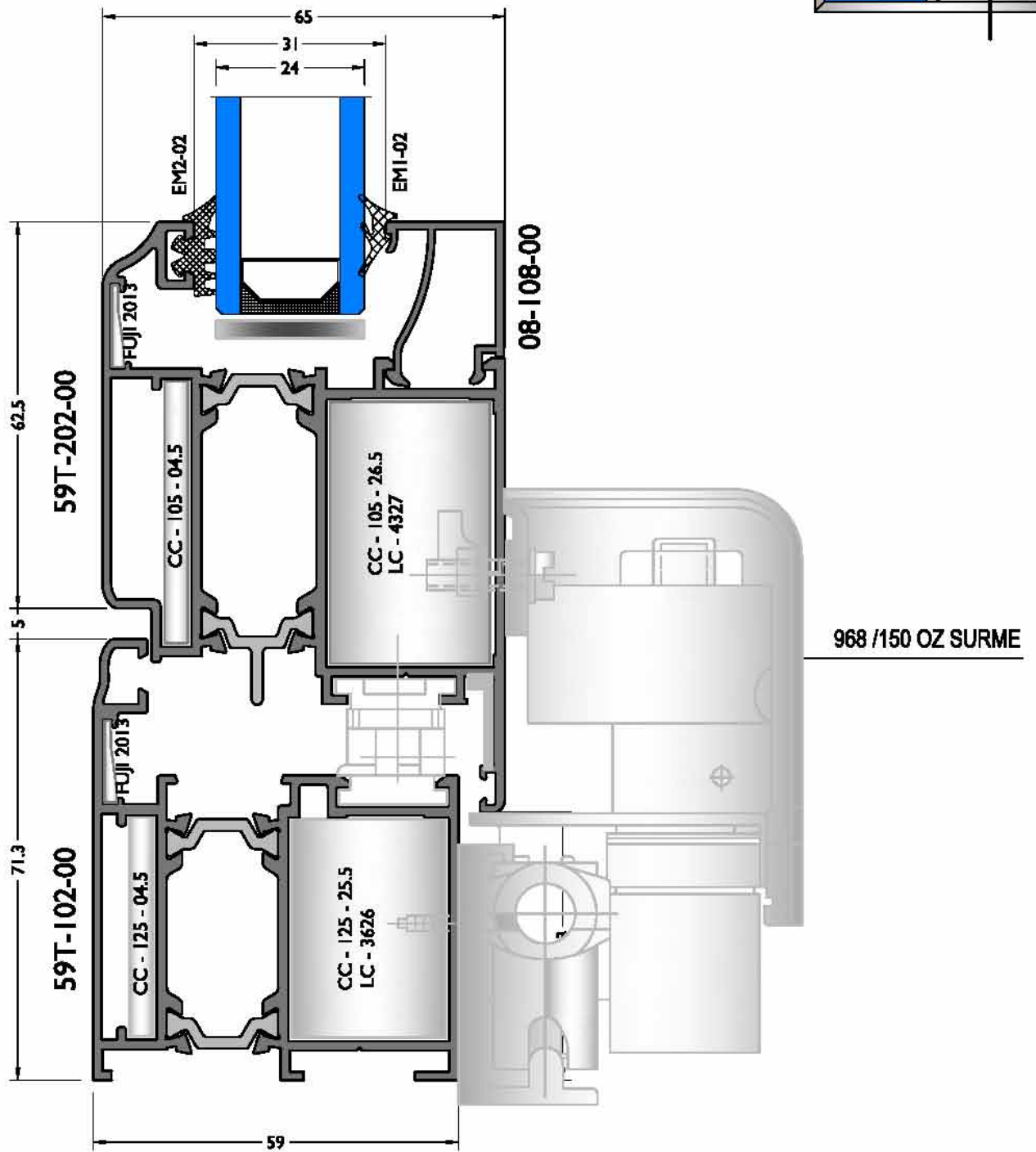
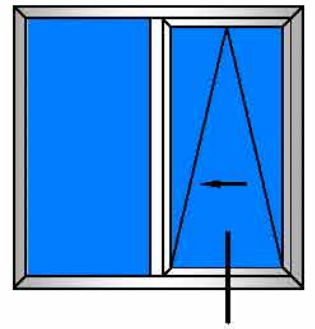




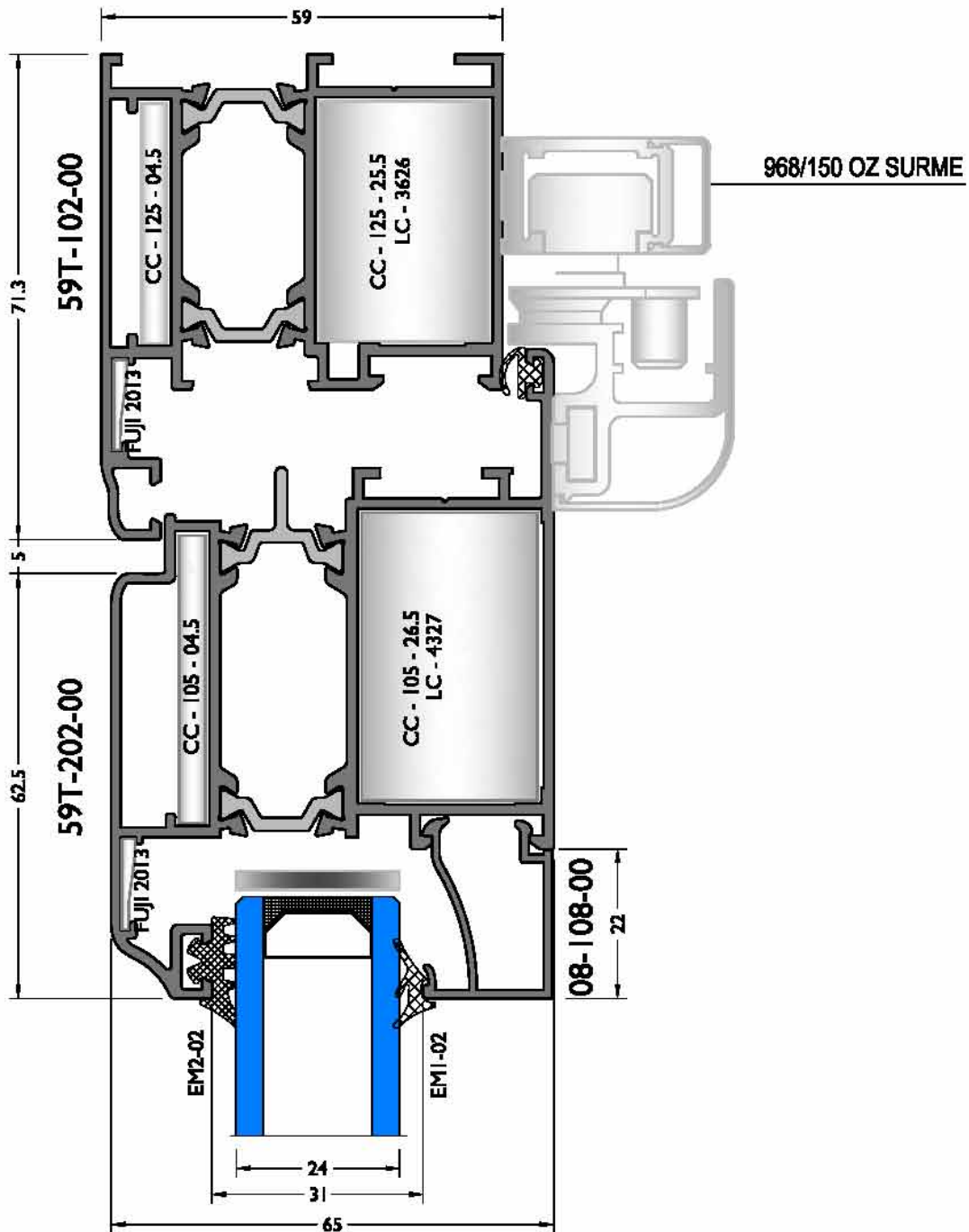
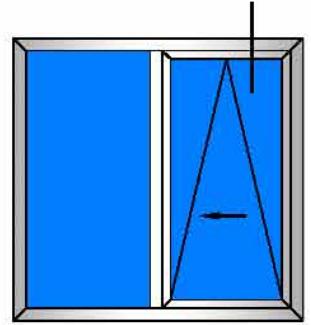




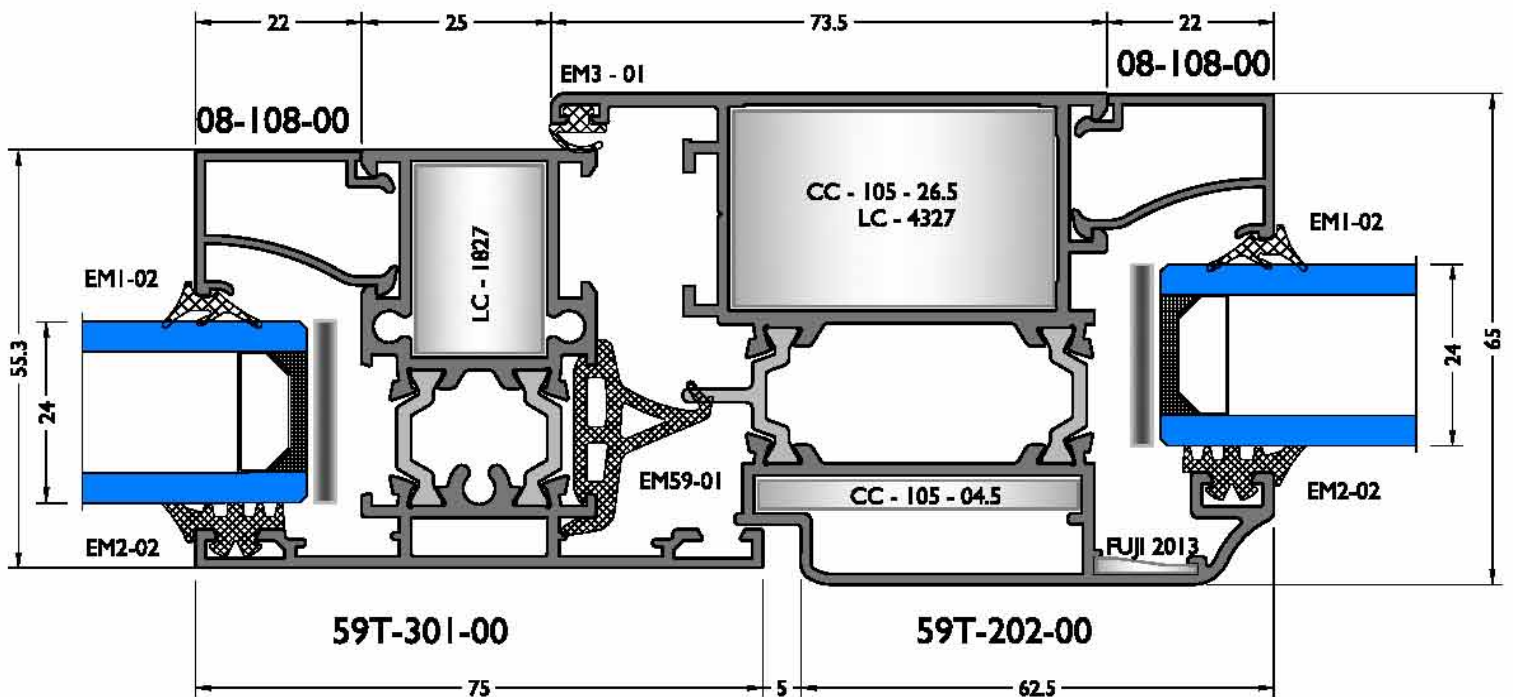
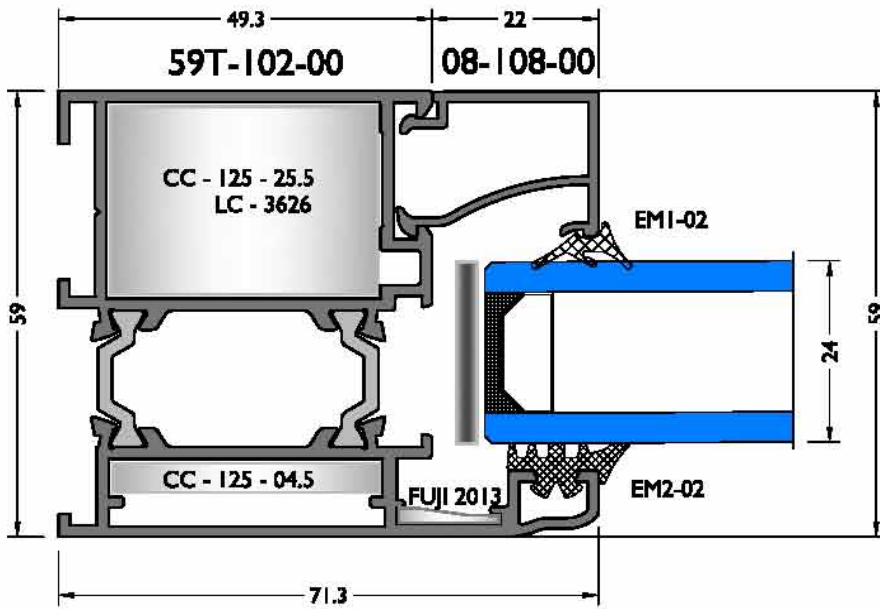
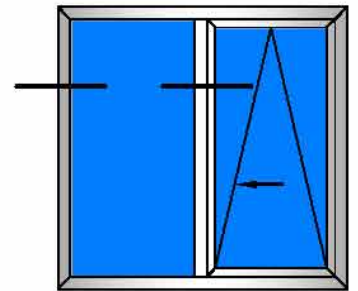
# TILT & SLIDE



# TILT & SLIDE

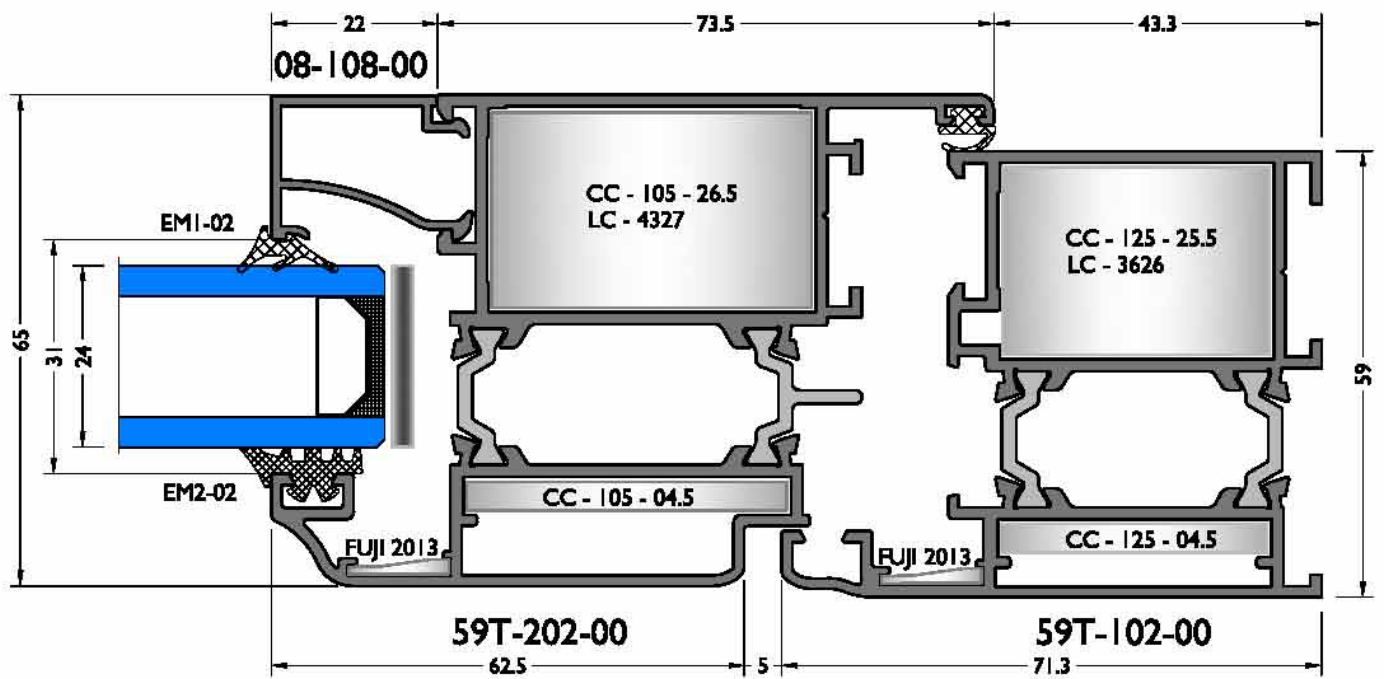
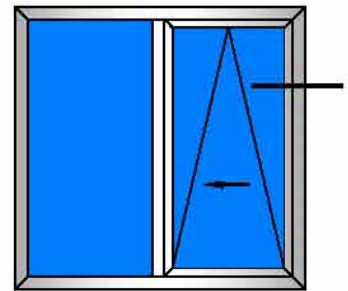


# TILT & SLIDE



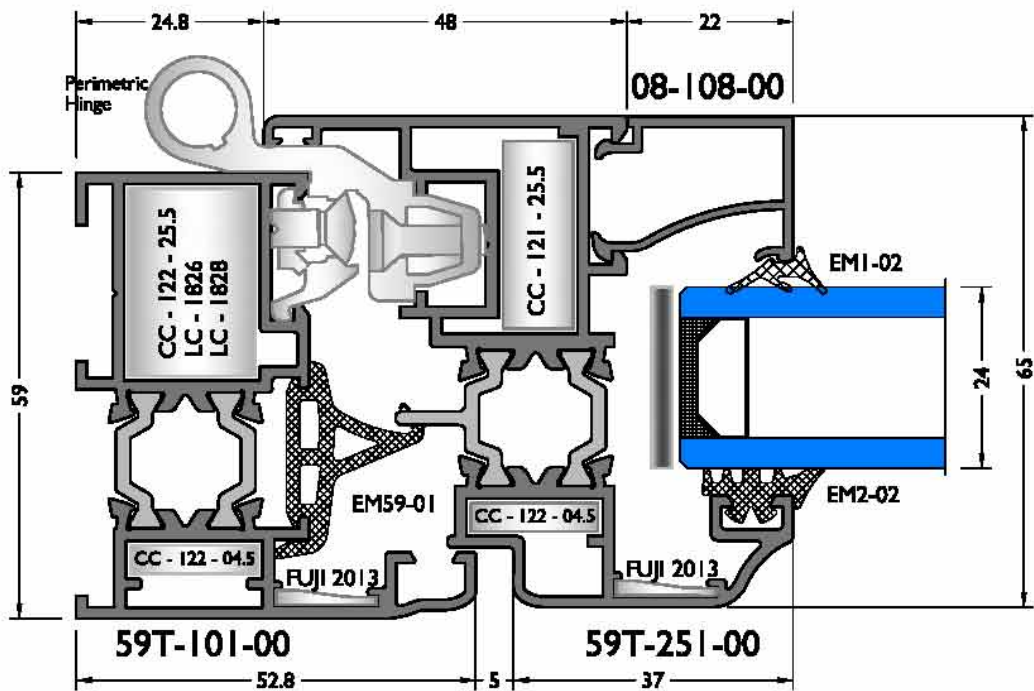
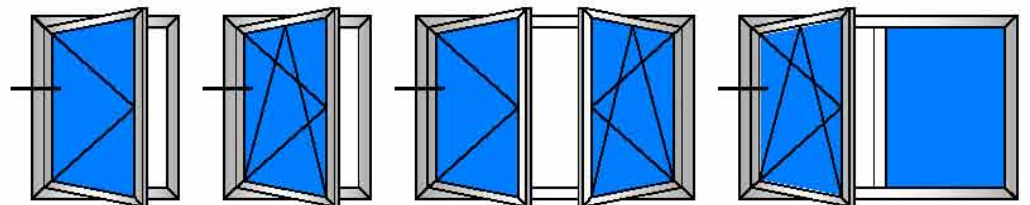
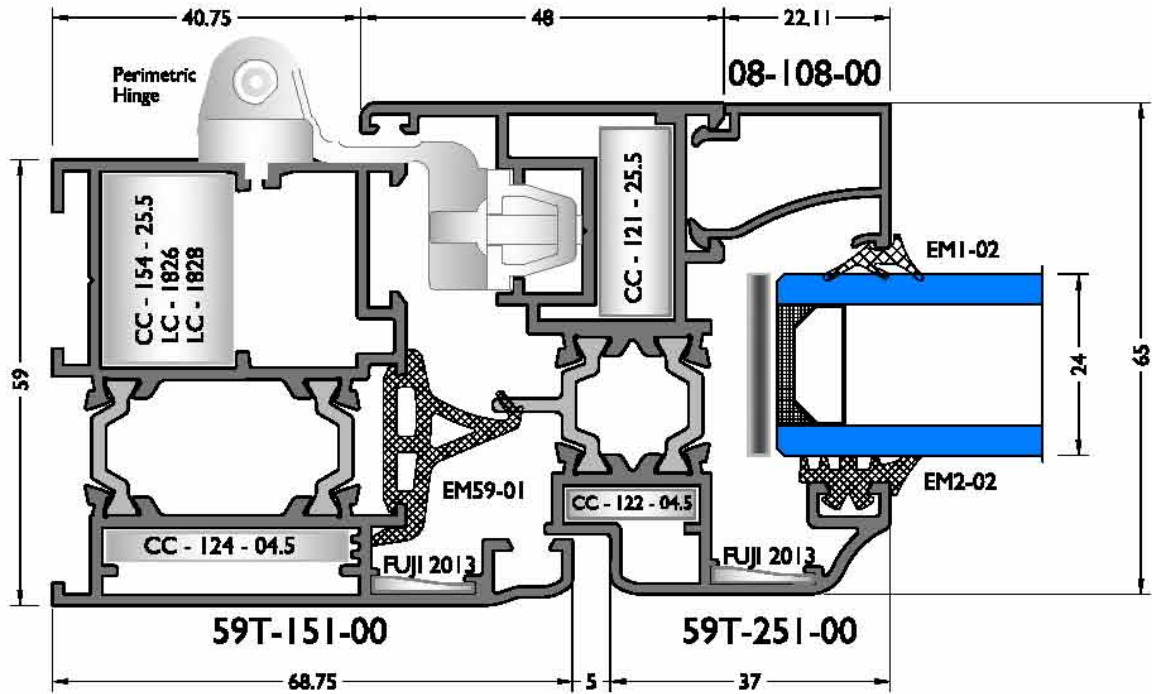
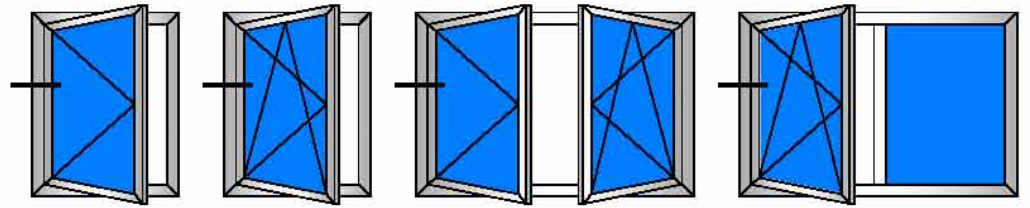


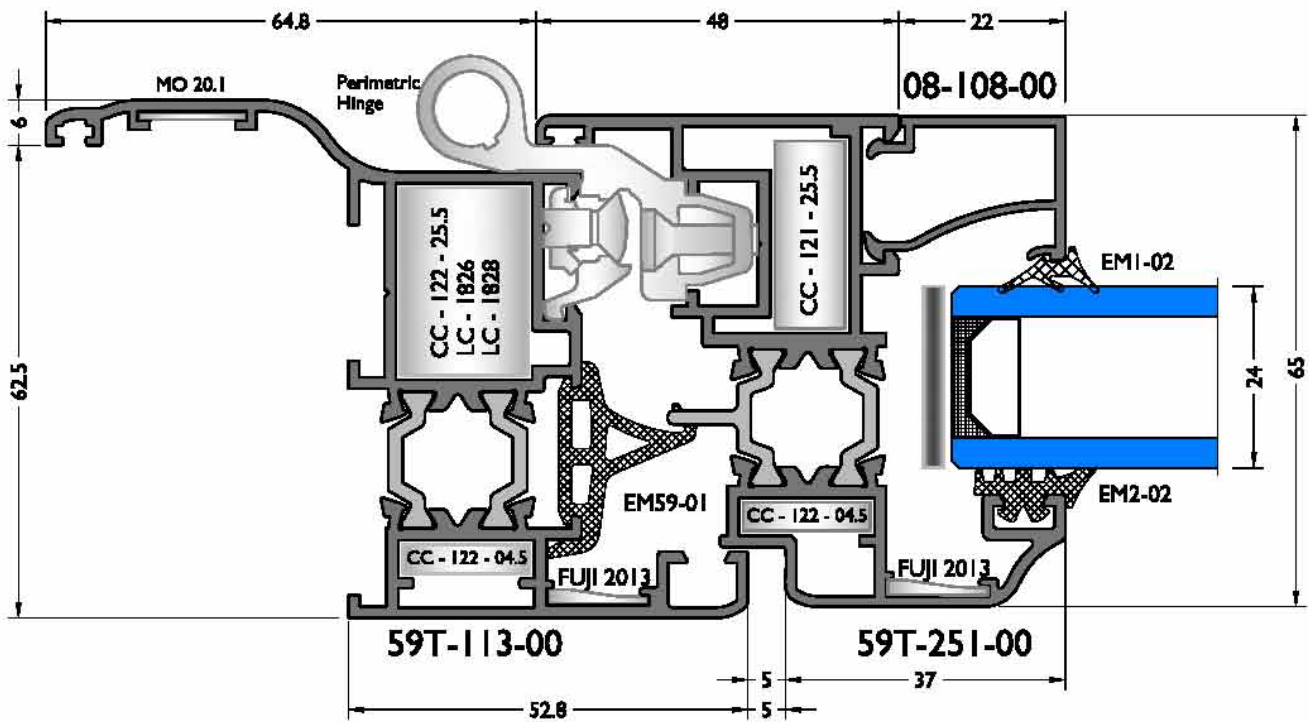
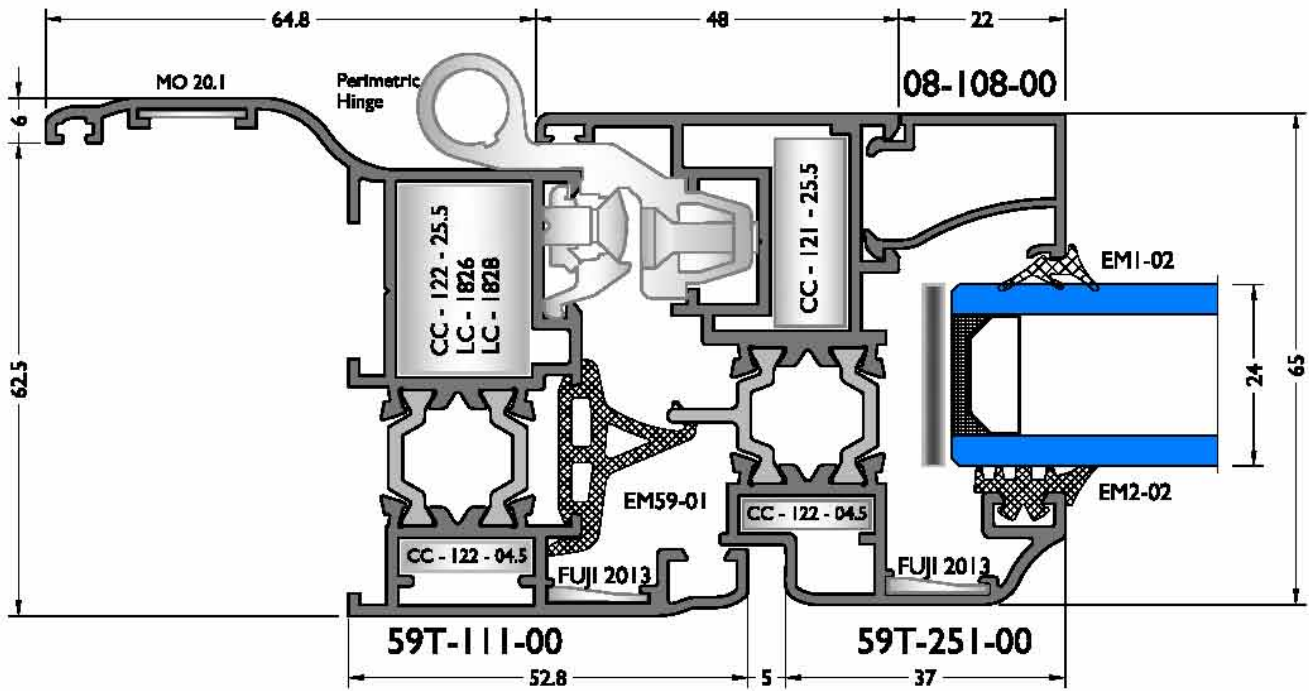
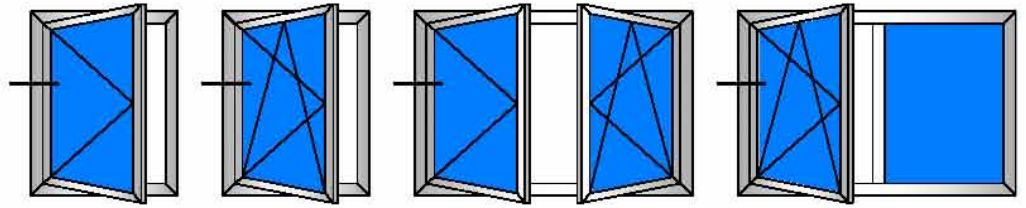
# TILT & SLIDE

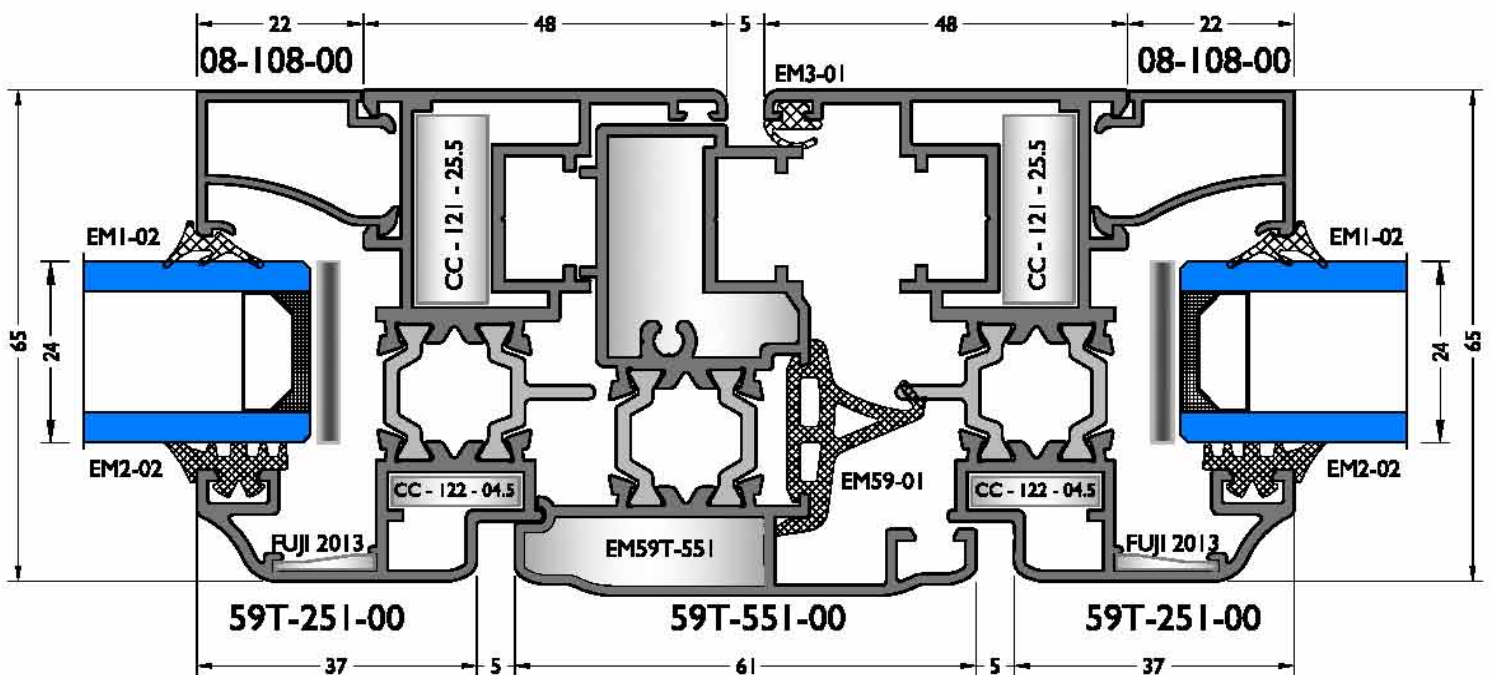
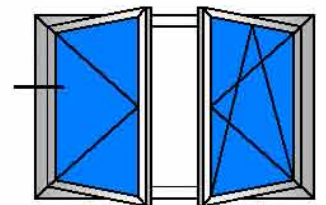
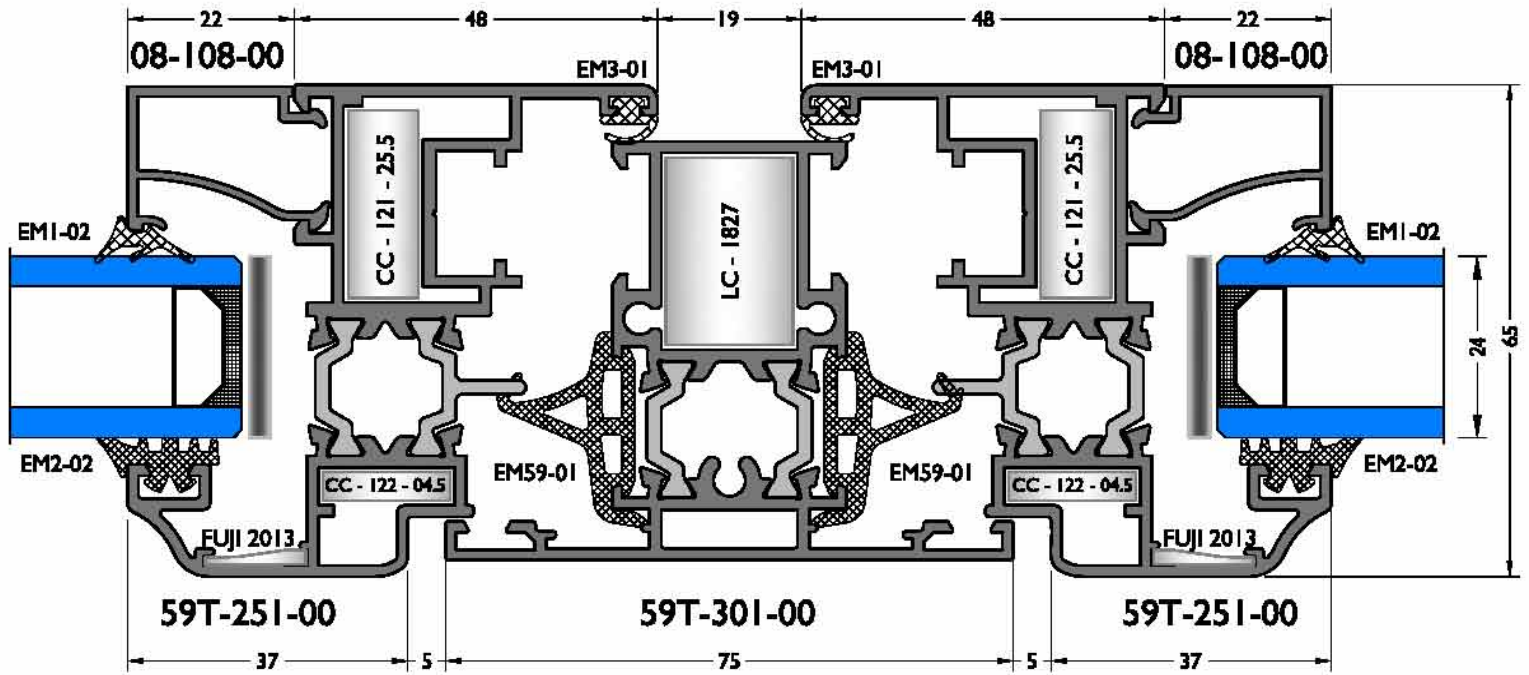
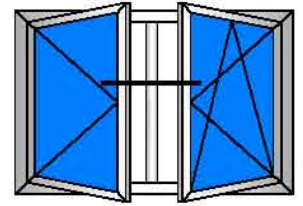


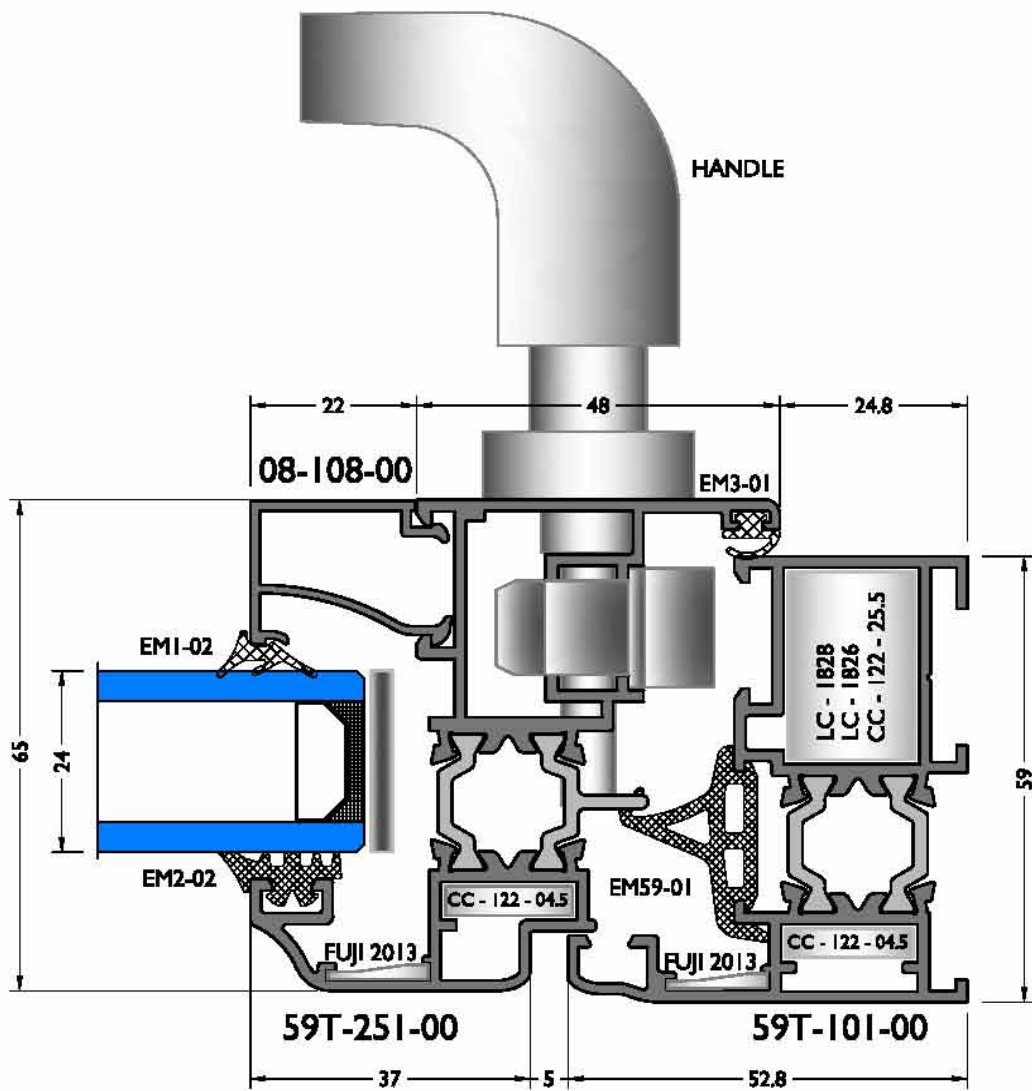
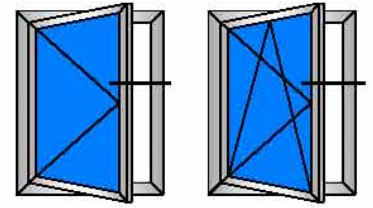
# PERIMETRIC

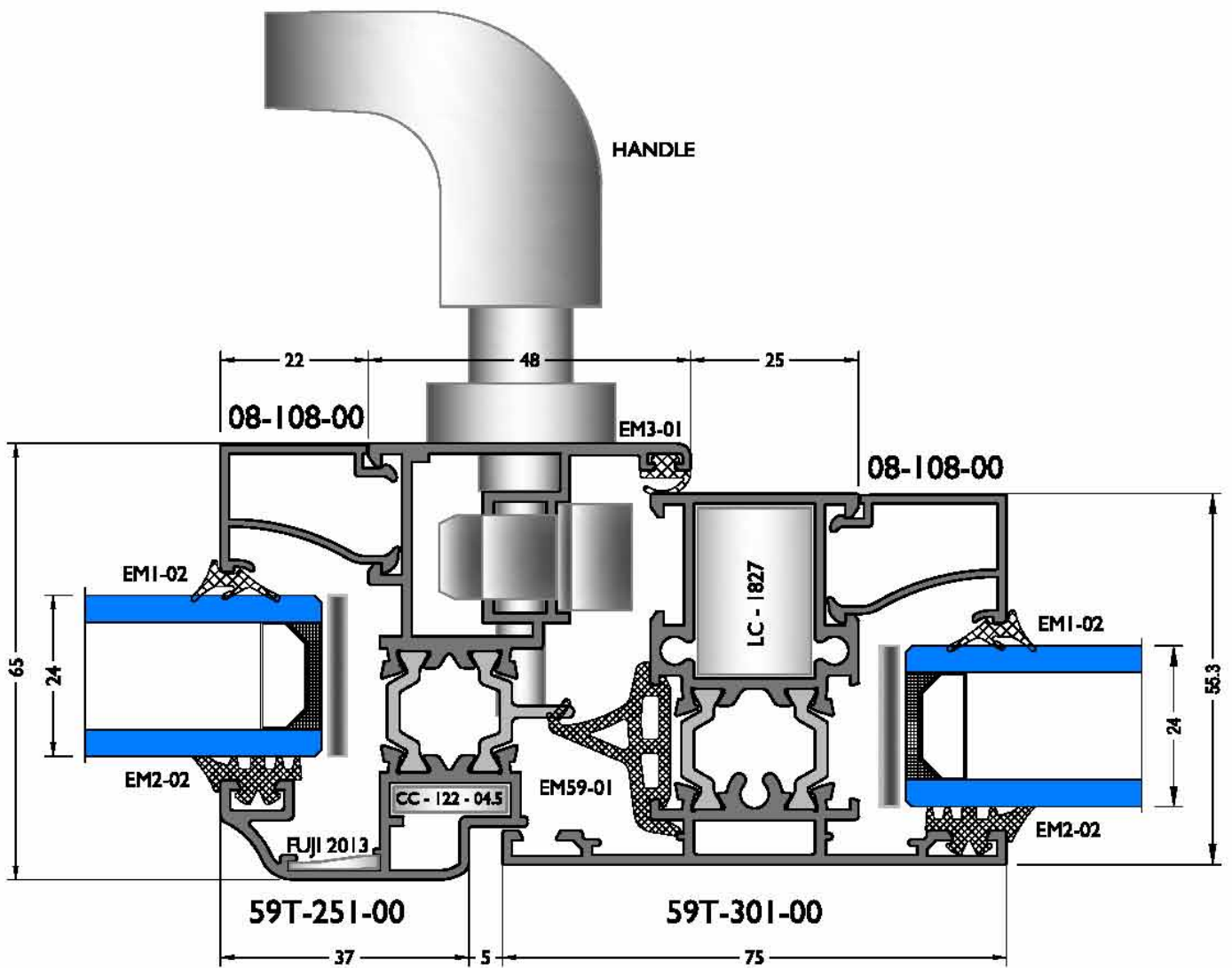
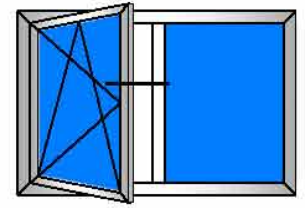
b - DETAILS

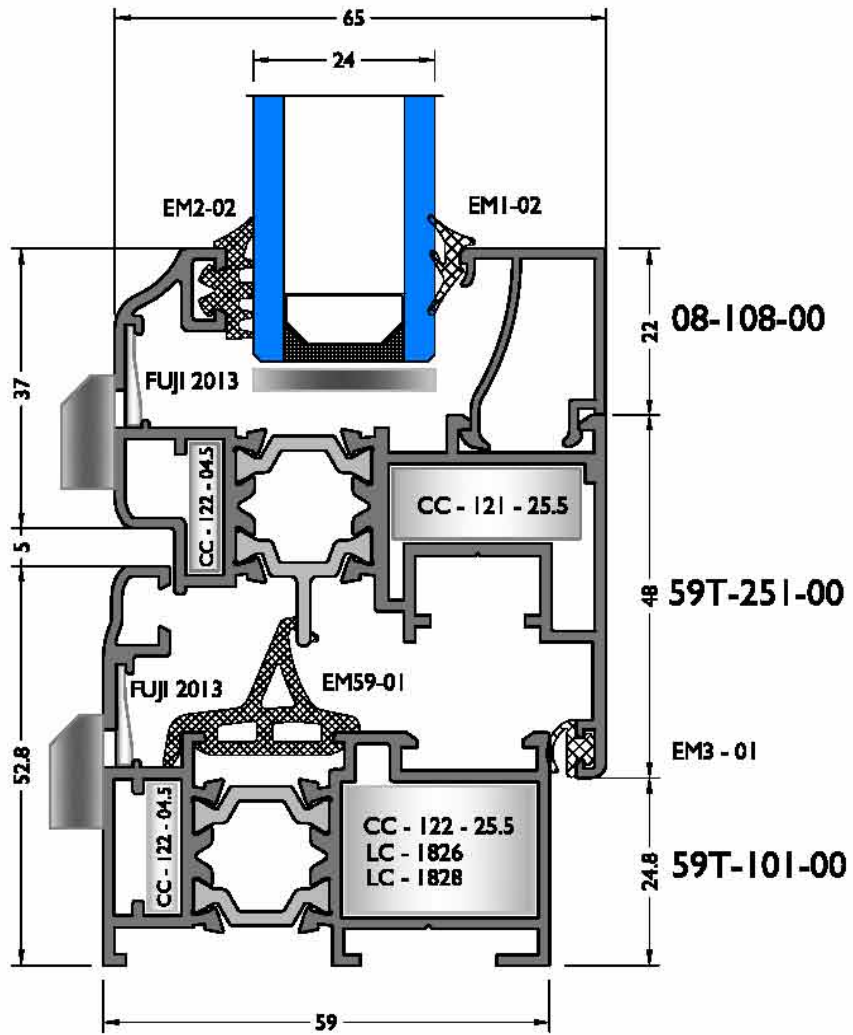
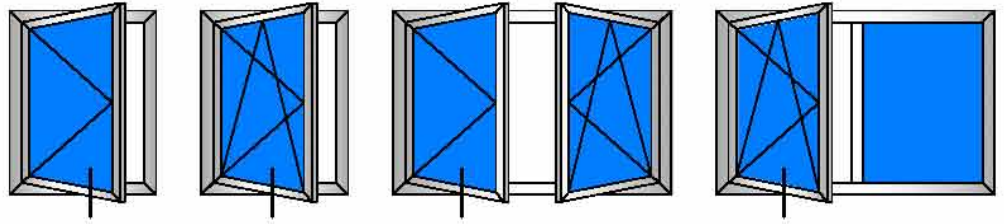




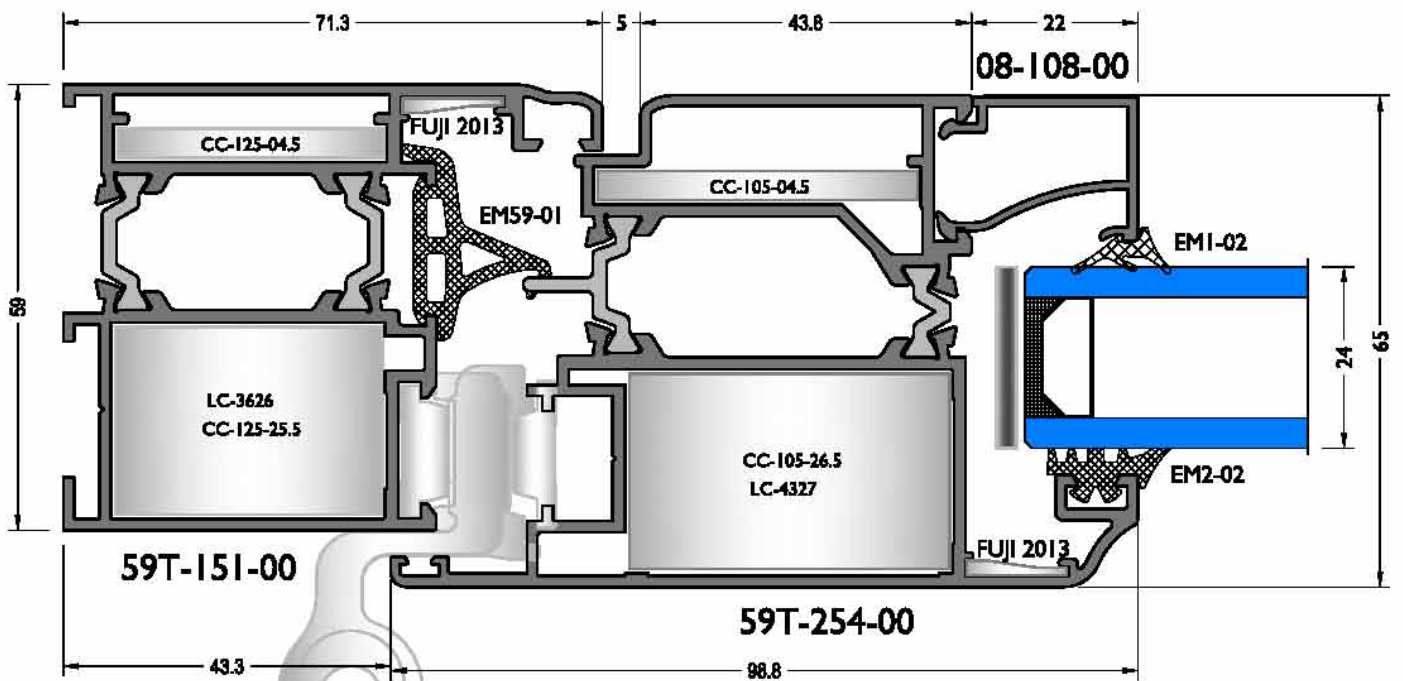
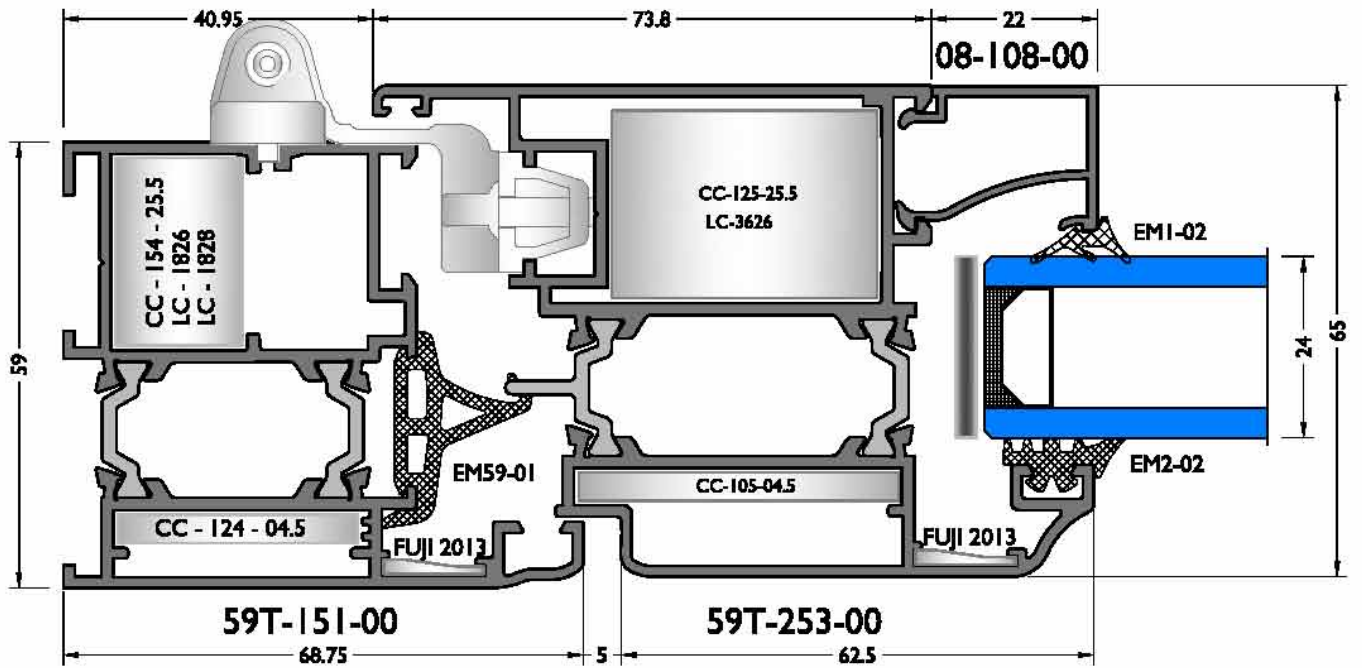
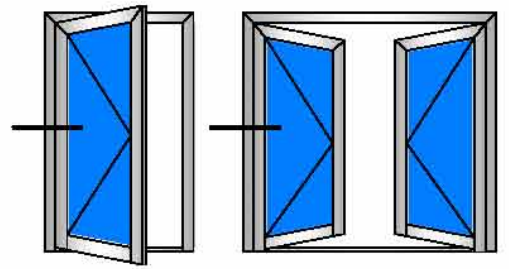


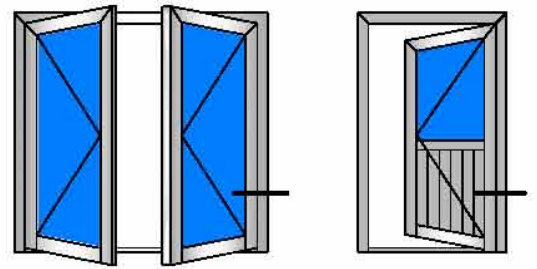




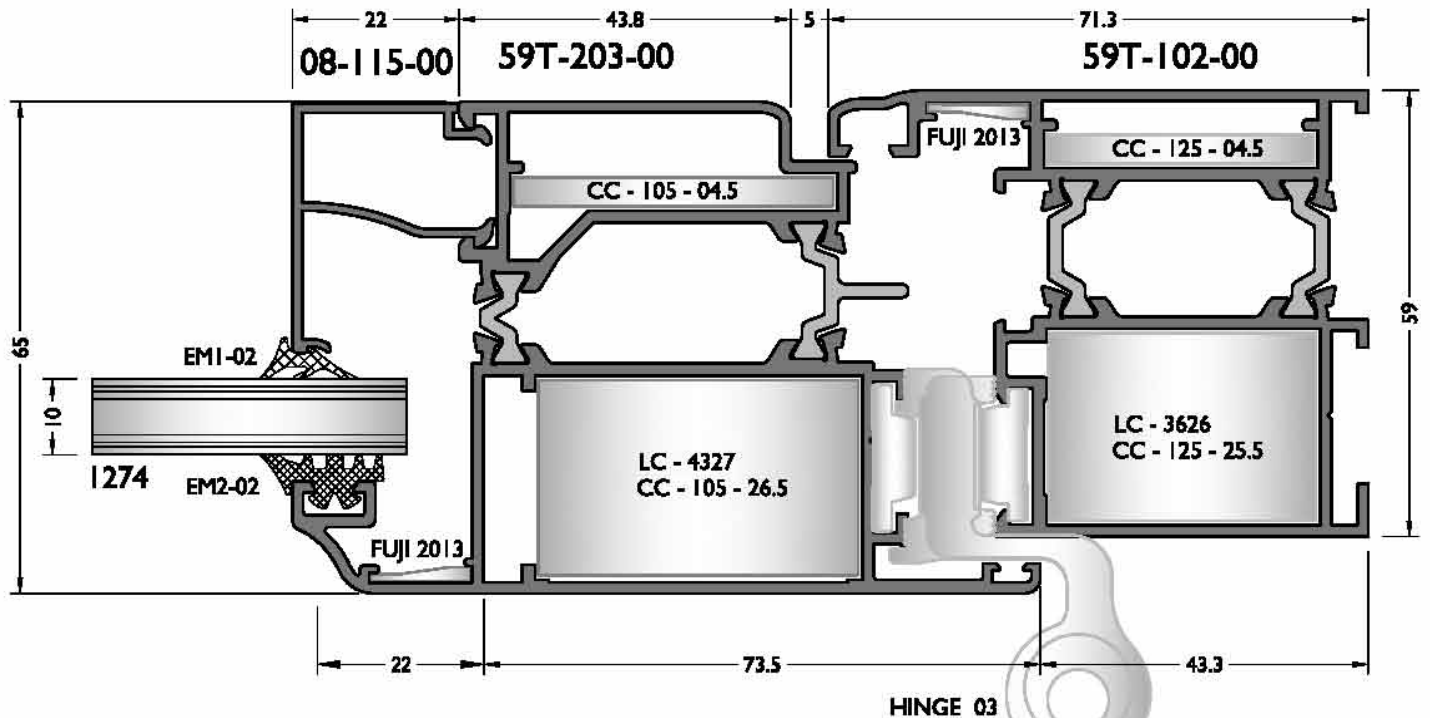
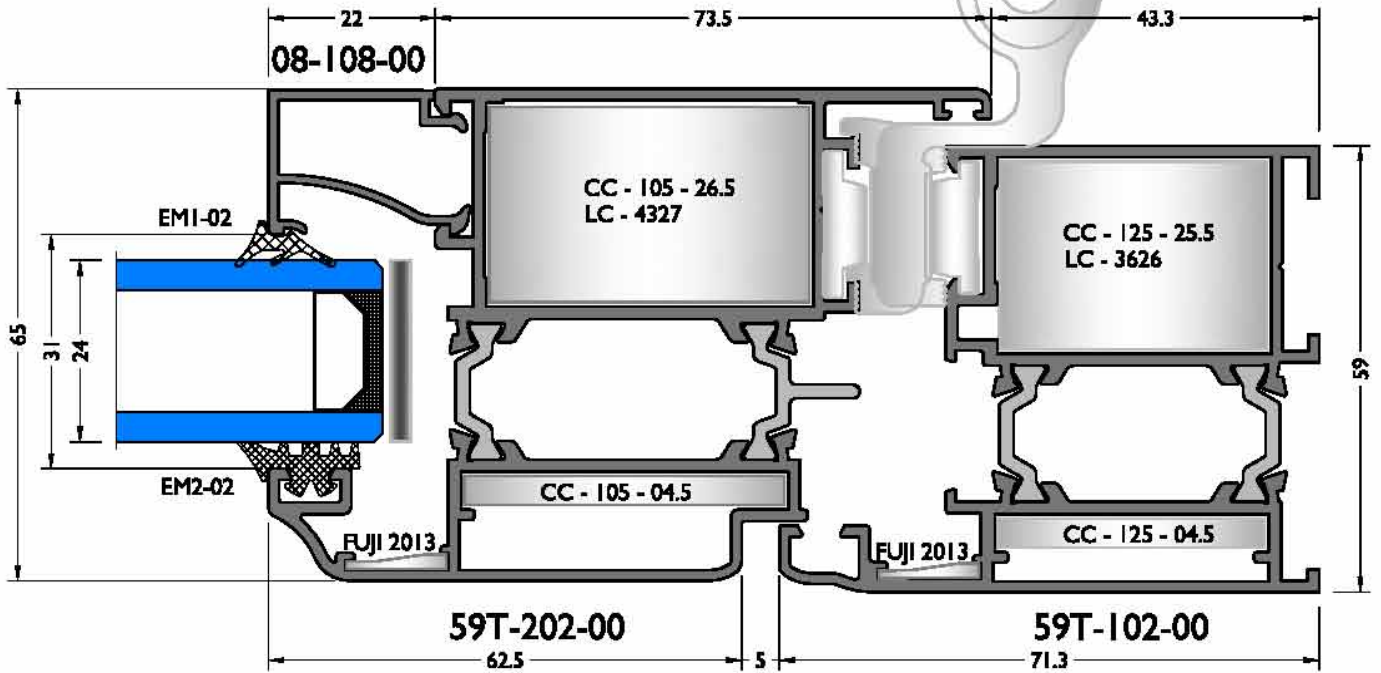




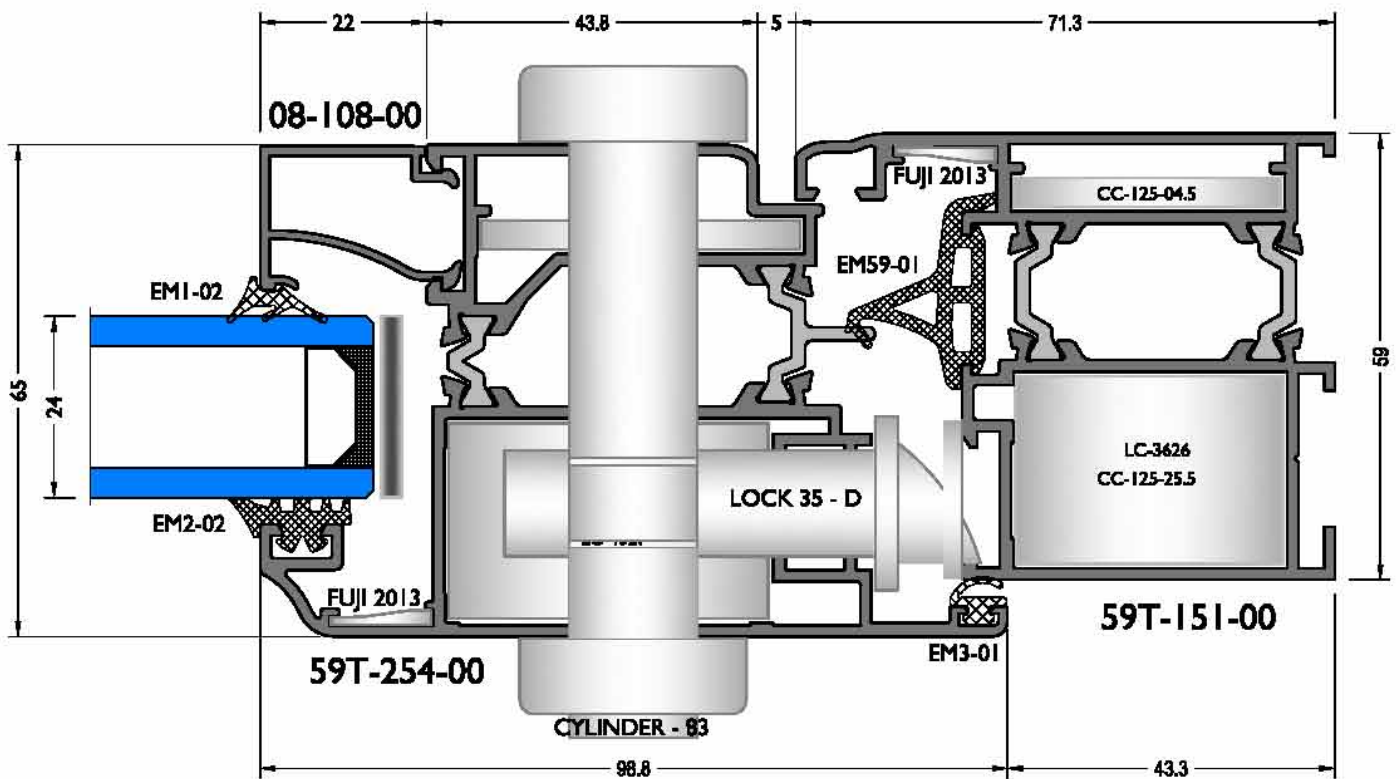
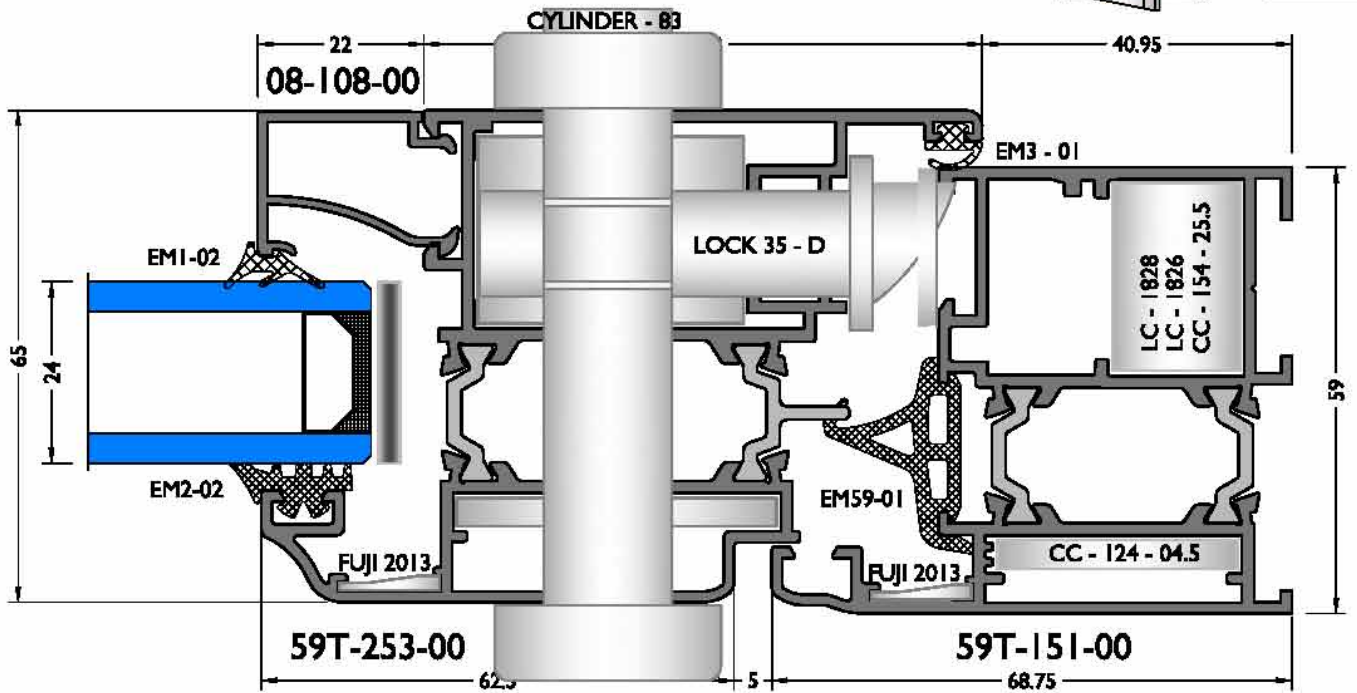
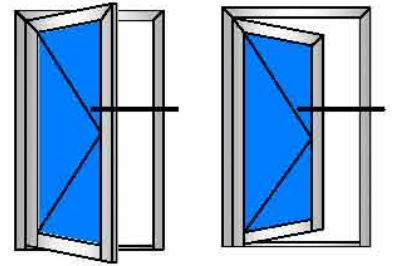


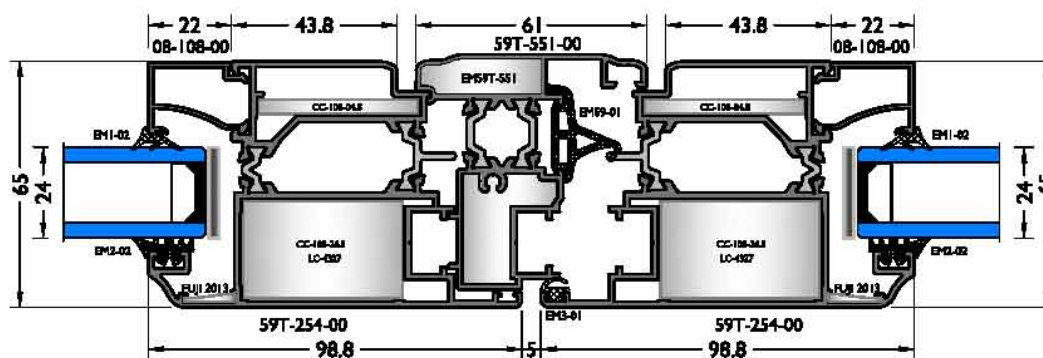
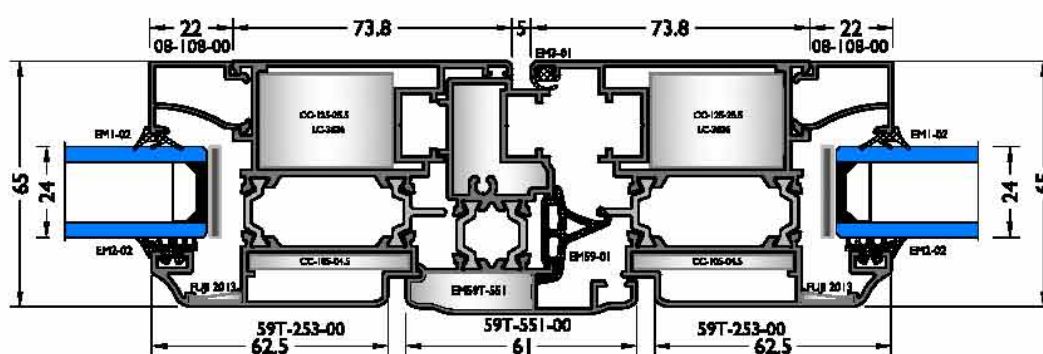
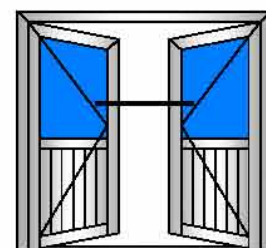
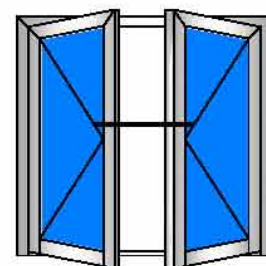


HINGE 03

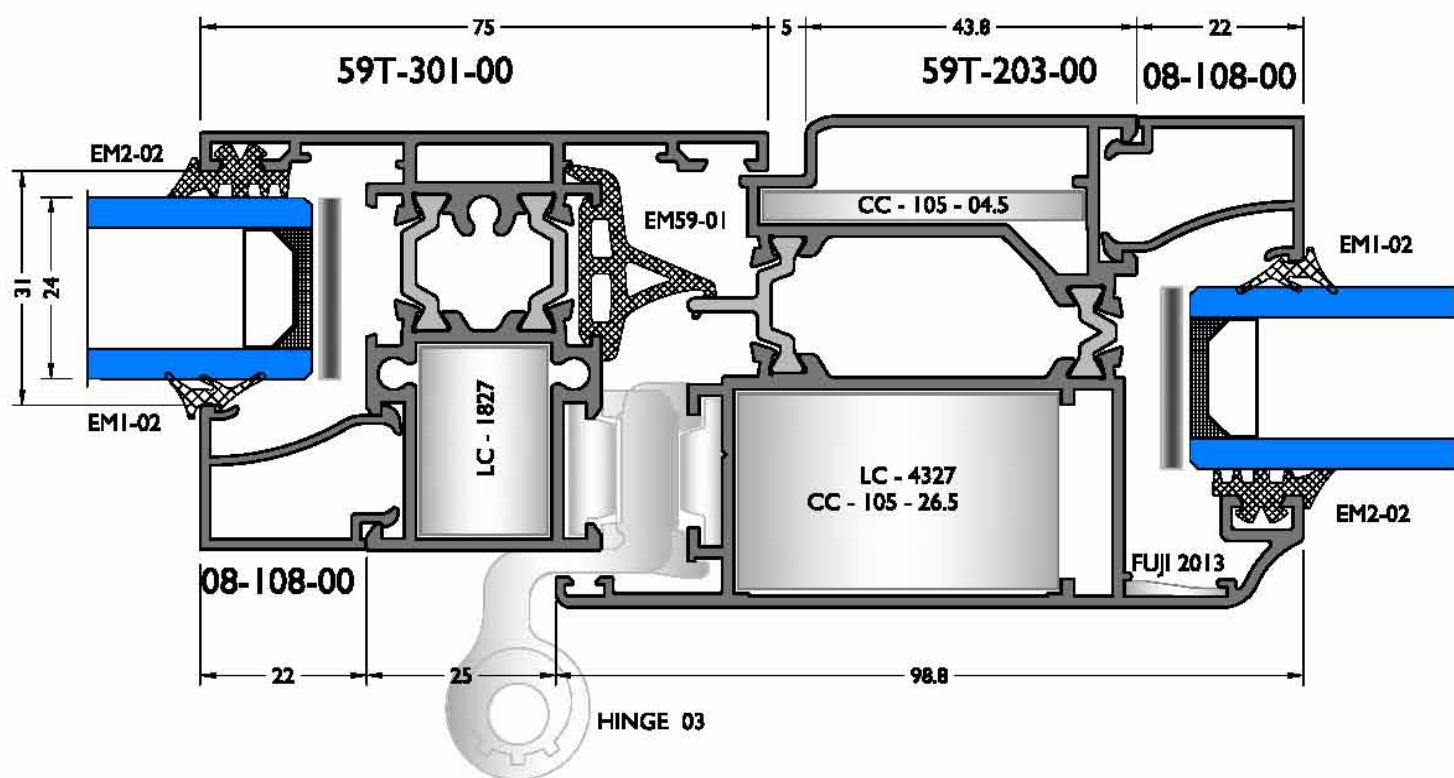
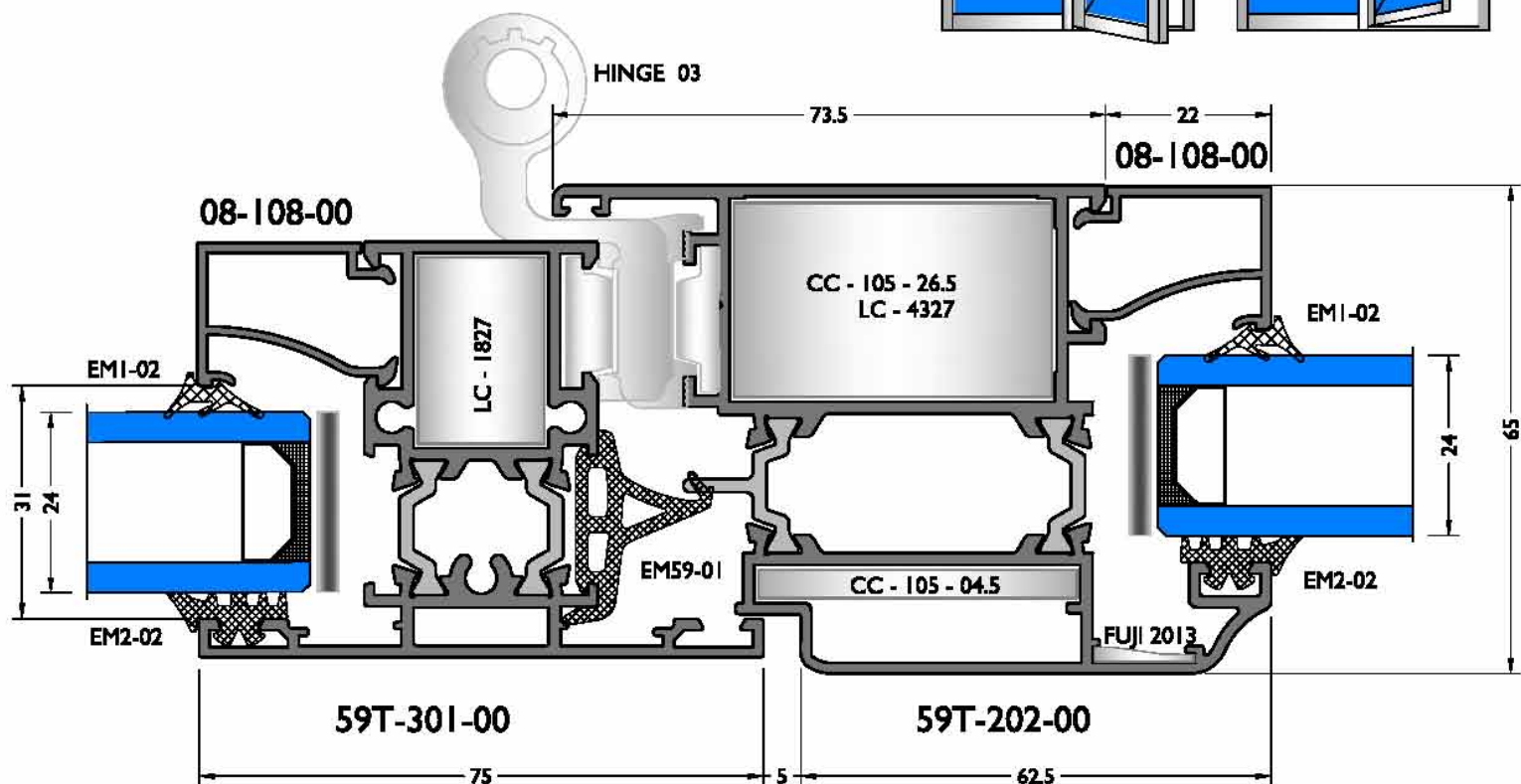
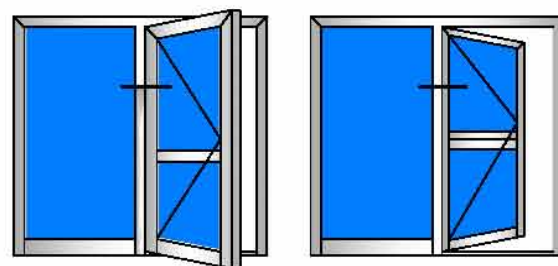


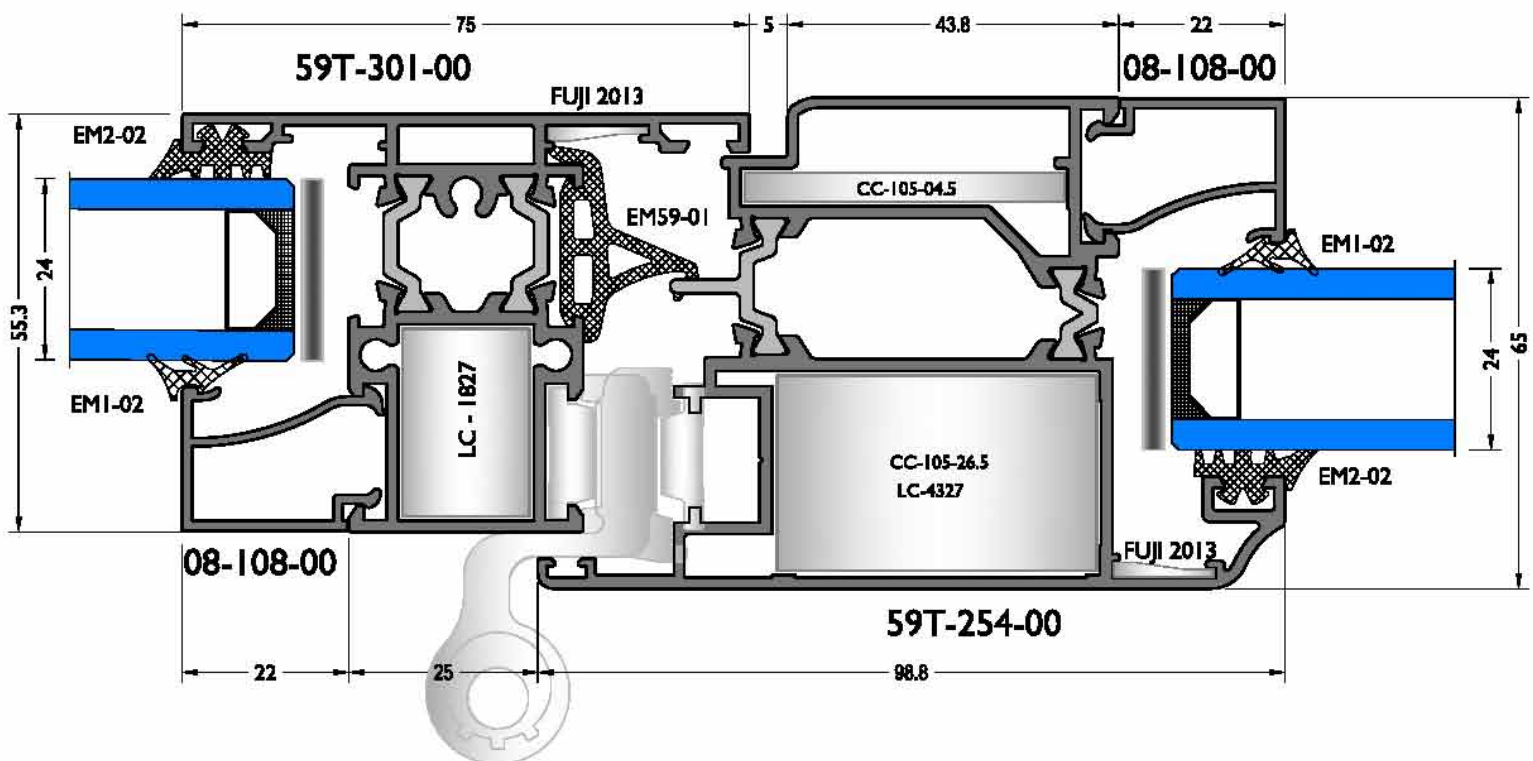
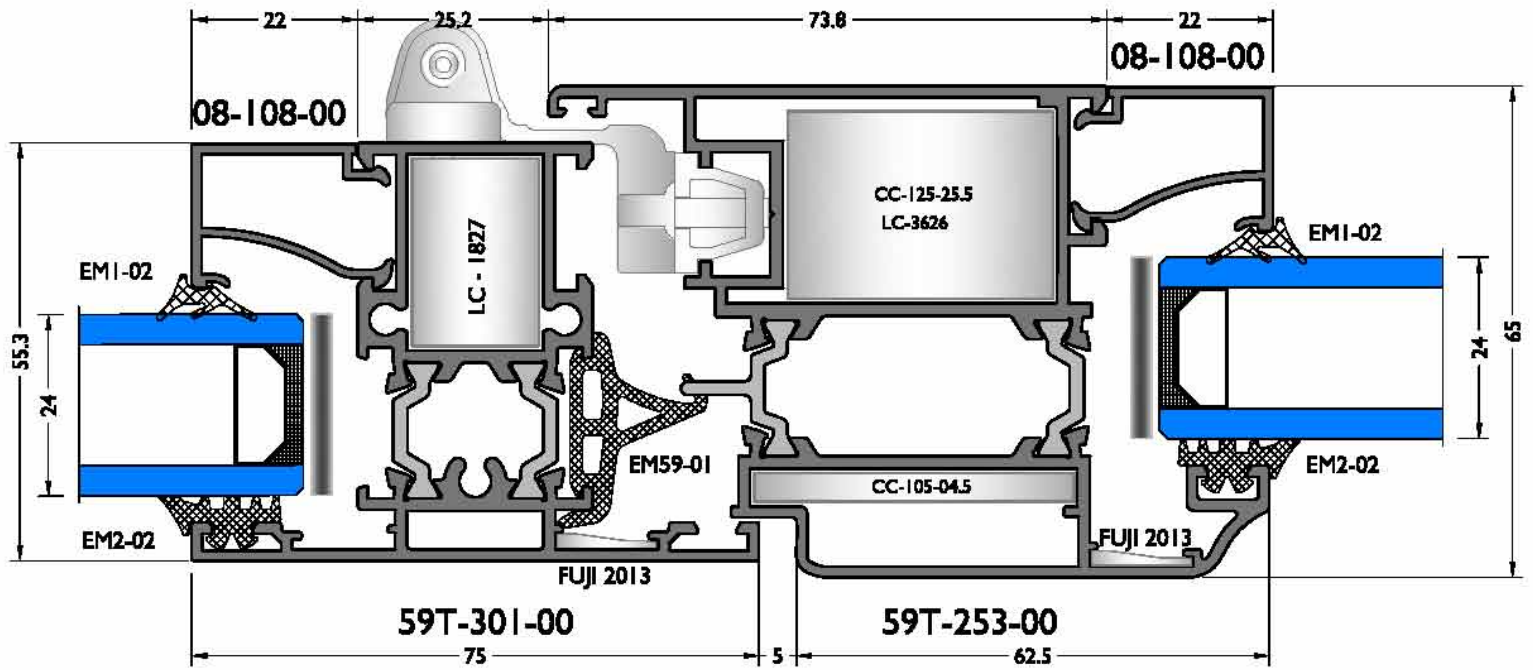
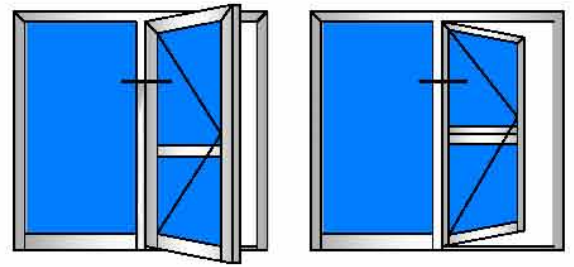
HINGE 03

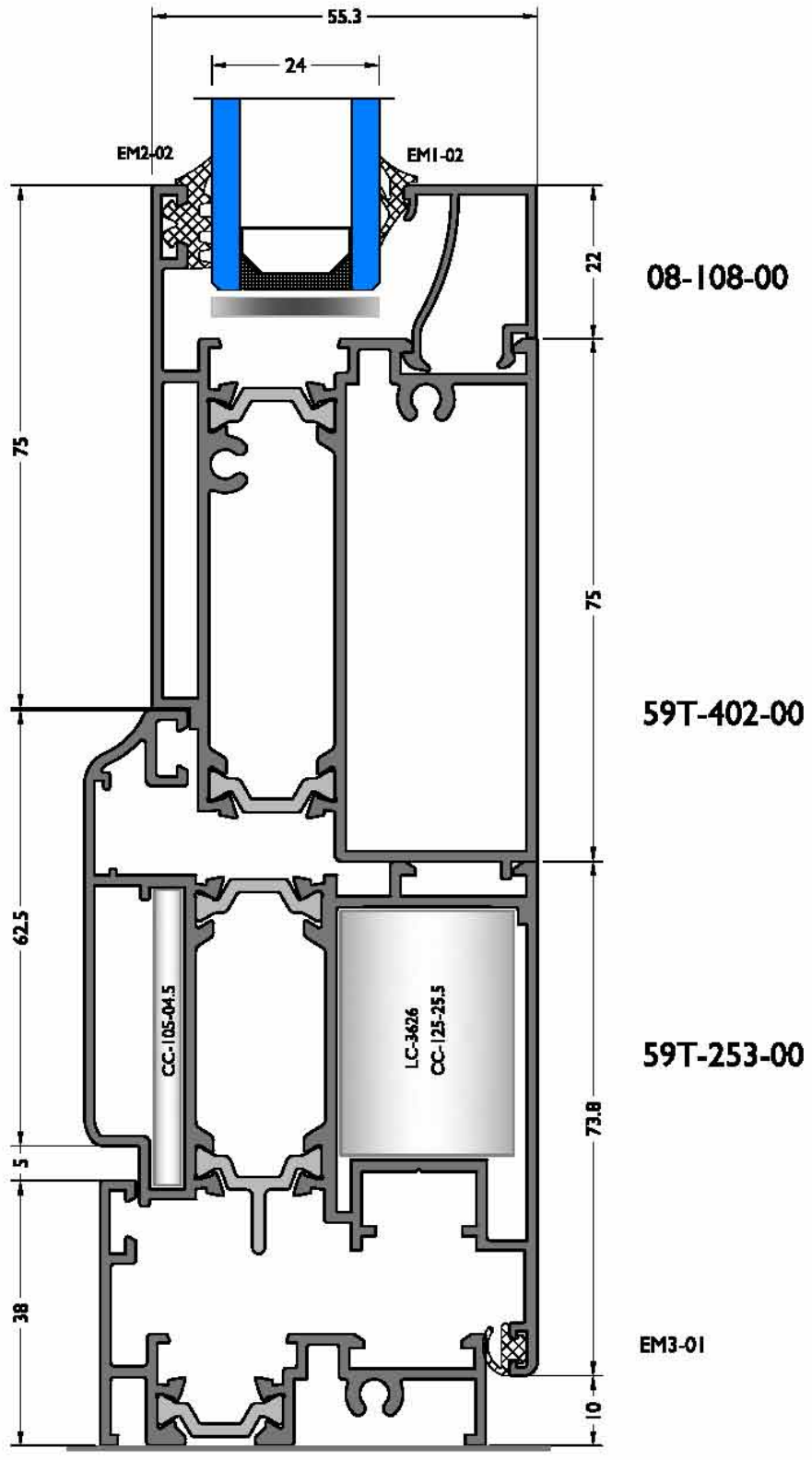
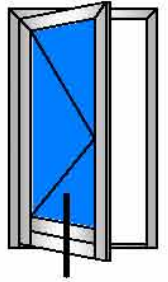


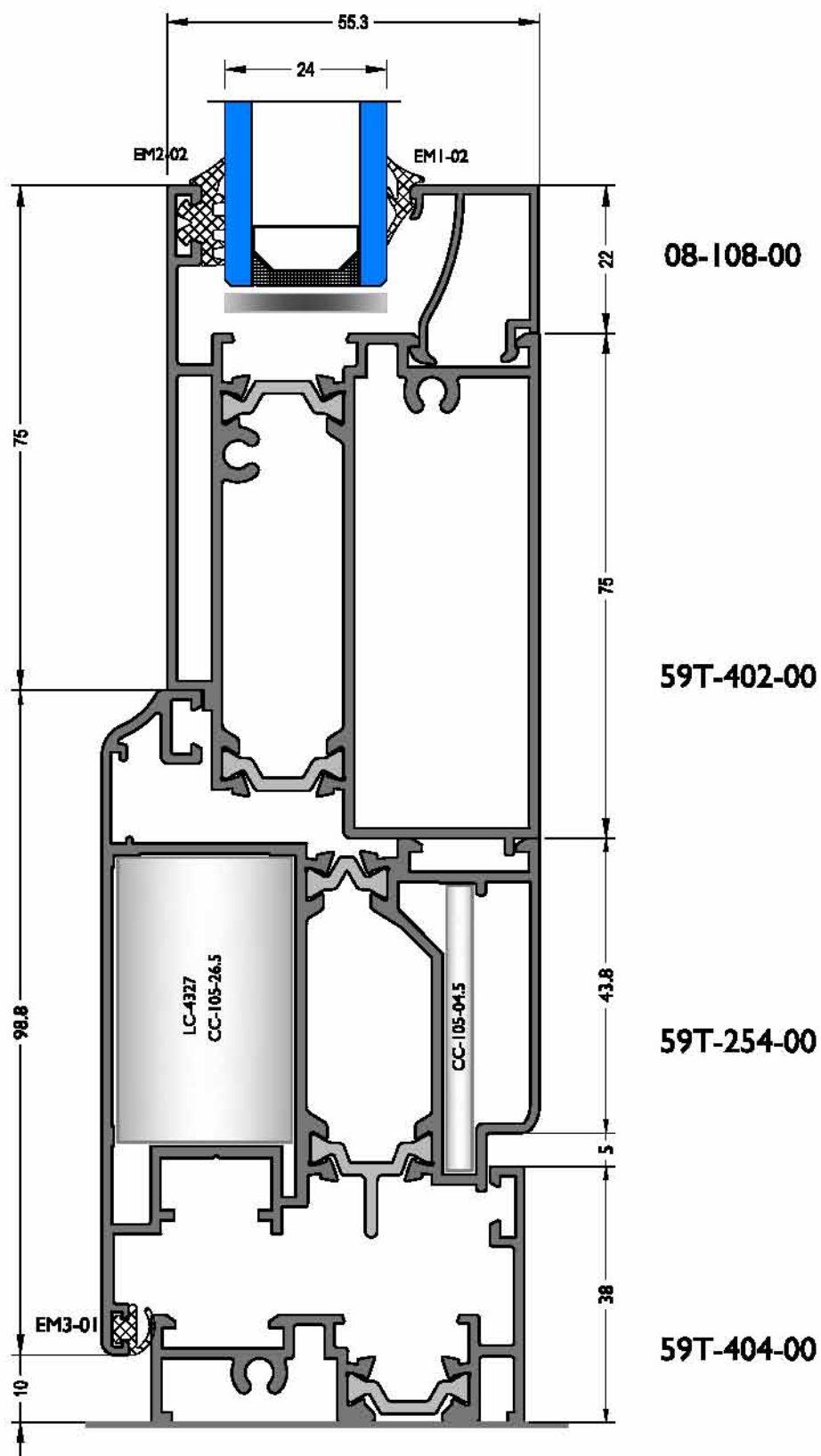
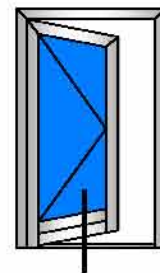


Scale: 1/22

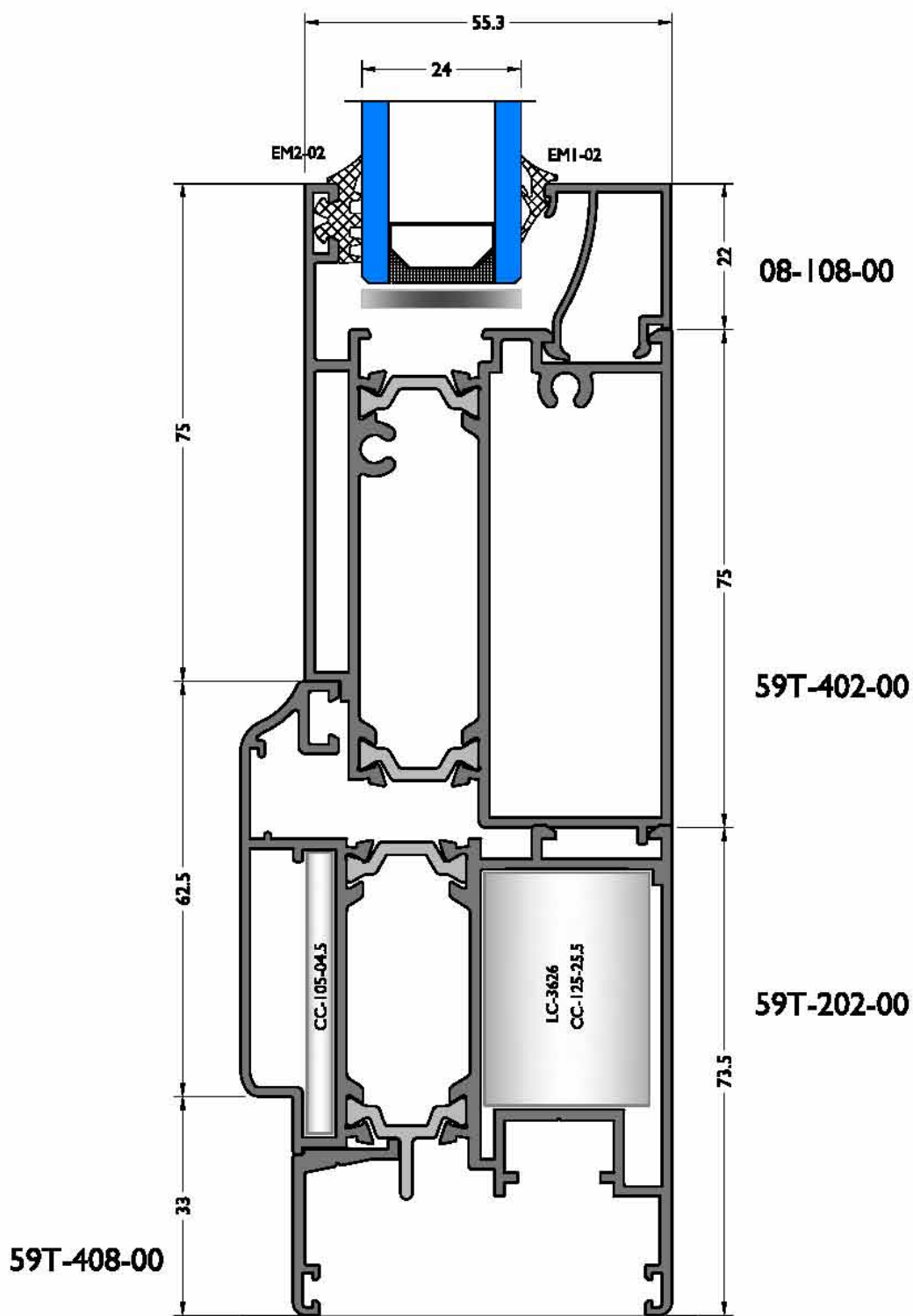
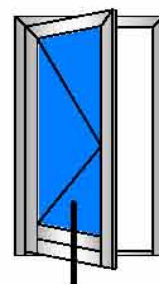


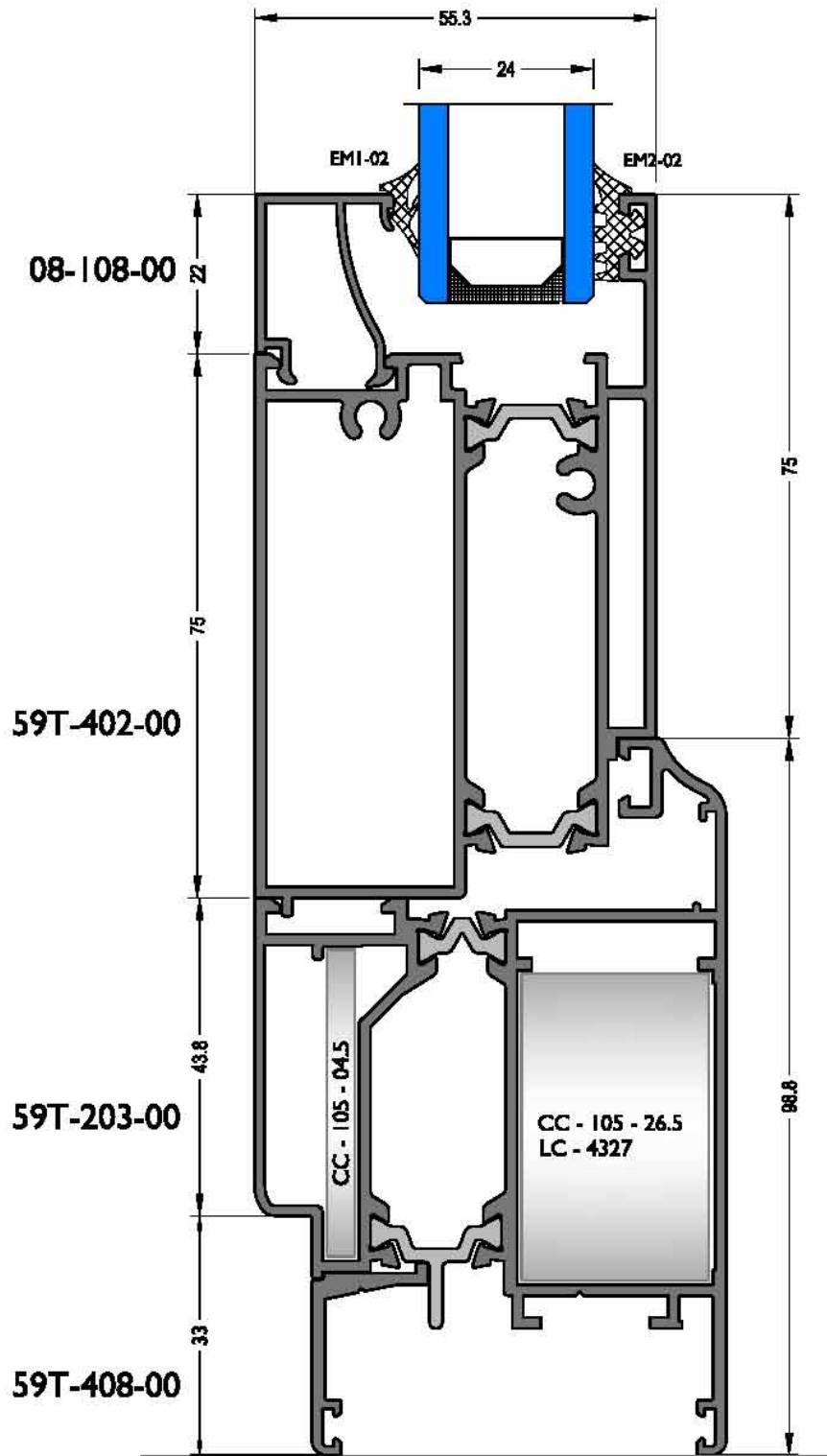
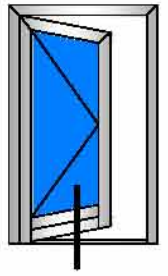






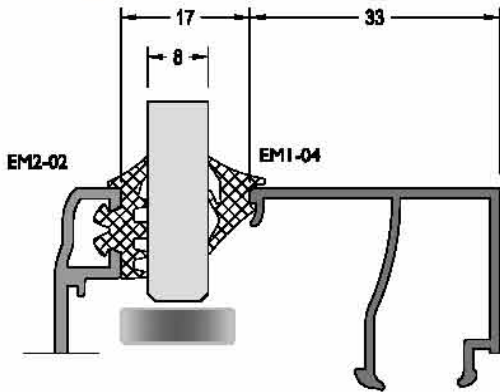




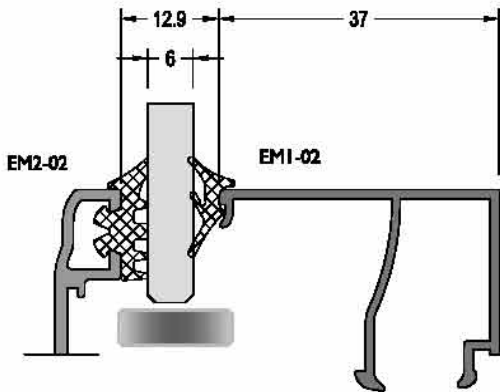


## d - GLAZING TABLE

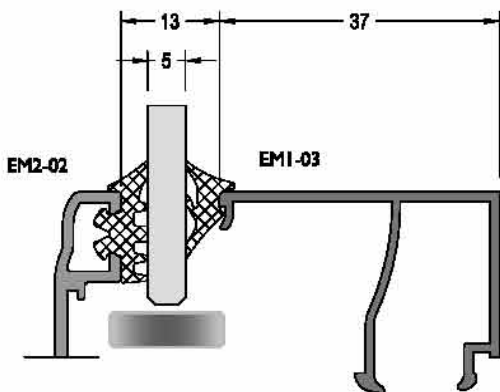
# profiles



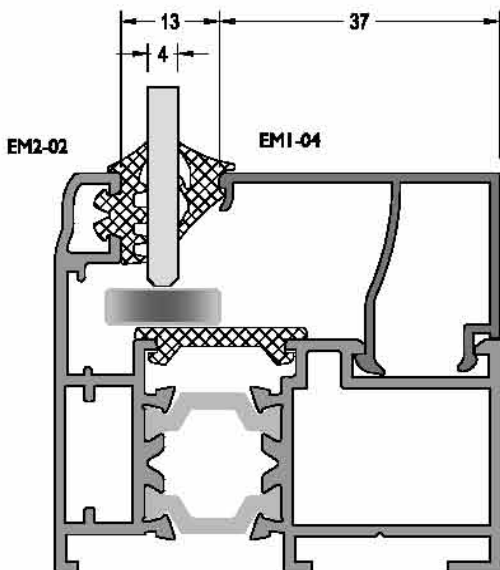
08-115-00



08-116-00

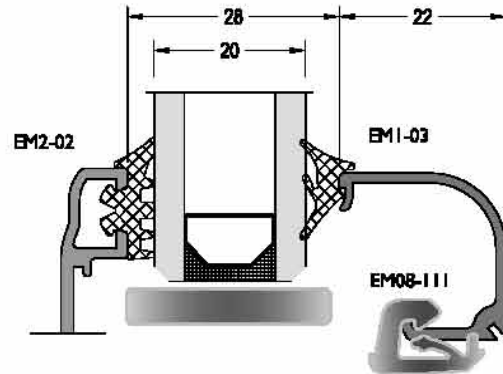


08-116-00

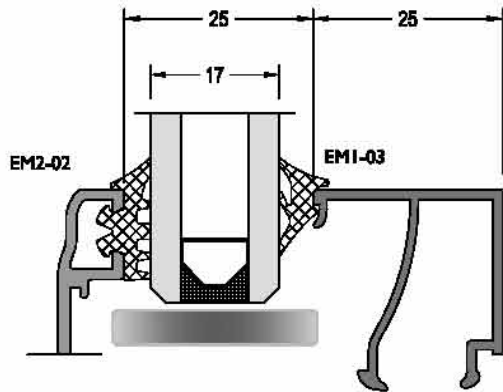


08-116-00

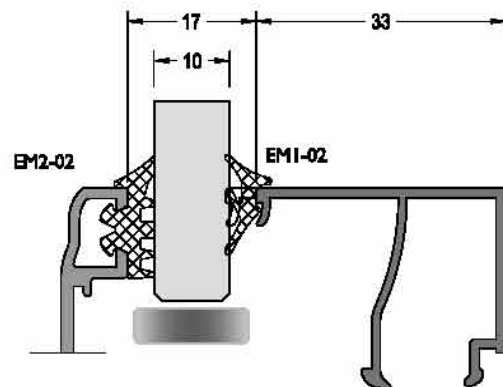
GLAZING THICKNESS	GLAZING GASKET INSIDE	GLAZING GASKET OUTSIDE	GLAZING BEAD
4 mm	EM1-04	EM2-02	08-116-00
5 mm	EM1-03	EM2-02	
6 mm	EM1-02	EM2-02	
8 mm	EM1-04	EM2-02	08-115-00
10 mm	EM1-02	EM2-02	08-112-00
17 mm	EM1-03	EM2-02	08-111-00
20 mm	EM1-03	EM2-02	08-111-00



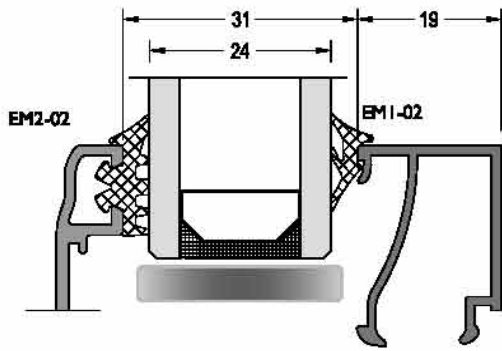
08-111-00



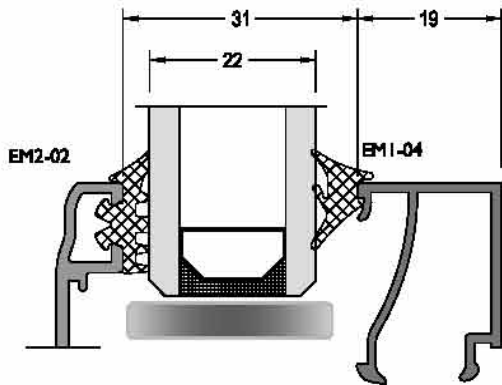
08-112-00



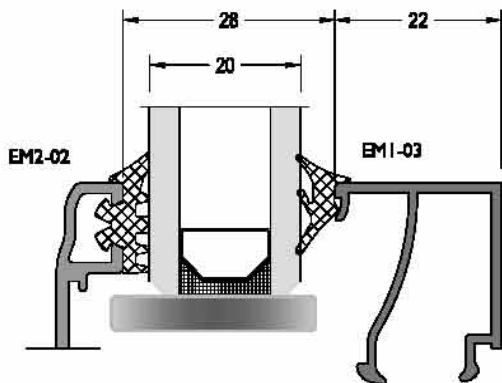
08-115-00



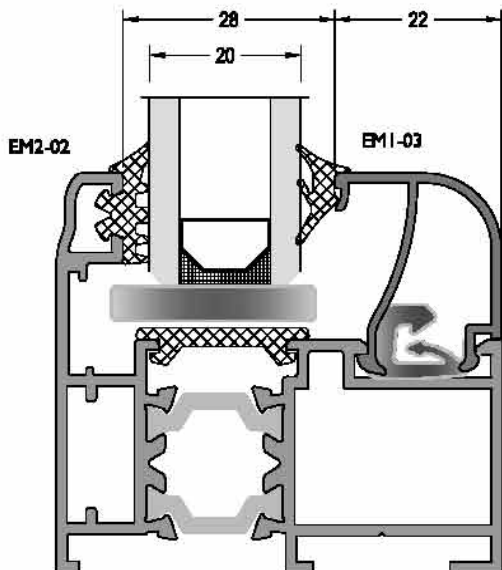
08-108-00



08-108-00

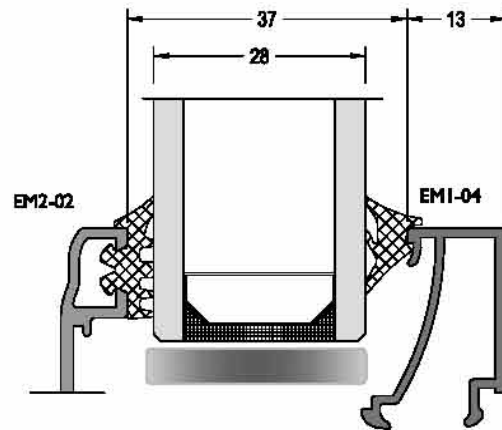


08-109-00

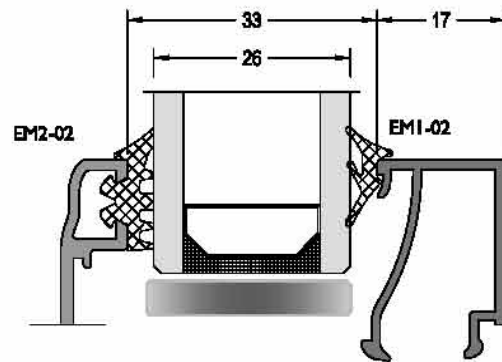


08-110-00

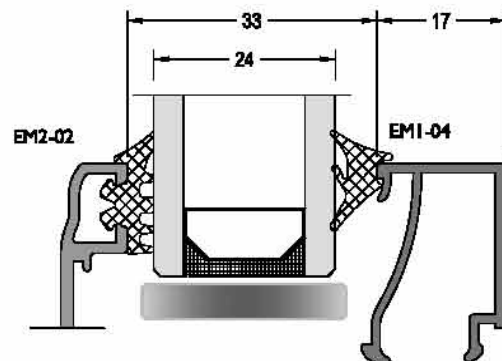
GLAZING THICKNESS	GLAZING GASKET INSIDE	GLAZING GASKET OUTSIDE	GLAZING BEAD
20 mm	EM1-03	EM2-02	08-110-00
	EM1-03	EM2-02	08-109-00
22 mm	EM1-04	EM2-02	08-108-00
24 mm	EM1-02	EM2-02	
24 mm	EM1-04	EM2-02	08-107-00
26 mm	EM1-02	EM2-02	08-104-00
28 mm	EM1-04	EM2-02	



08-104-00


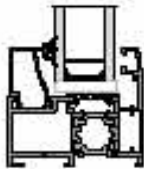

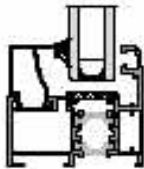

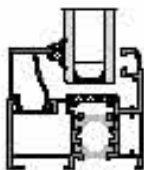

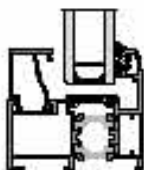

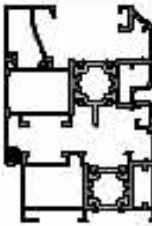
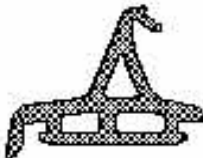
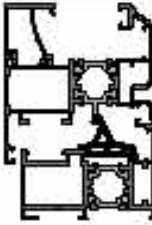

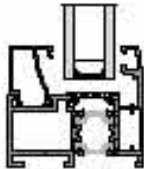



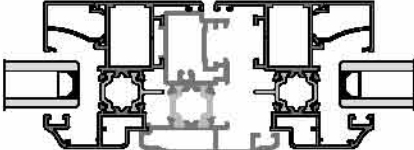

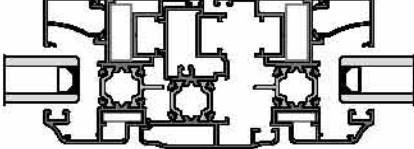

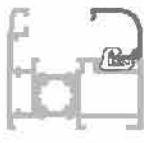

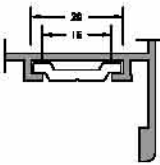

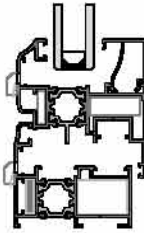
08-107-00




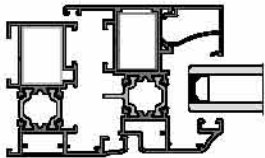

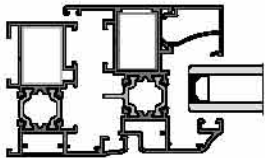

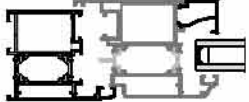





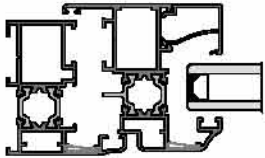

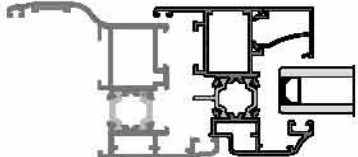
08-107-00


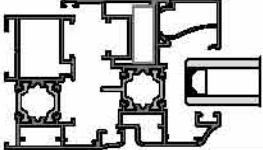

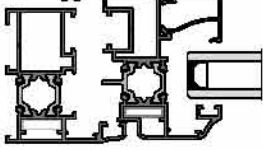

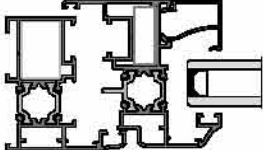



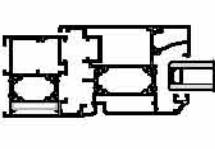

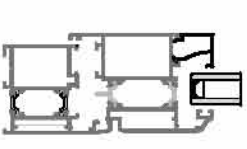

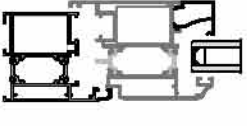
## **e - ACCESSORIES**


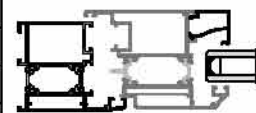


CODE	DRAWING	APPLICATION	DESCRIPTION	THEORETICAL WEIGHT kg/m	IN ONE PACKAGE
EM1-02			Glazing Gasket Inside ( EPDM )	0.050	300 m
EM1-03			Glazing Gasket Inside ( EPDM )	0.060	250 m
EM1-04			Glazing Gasket Inside ( EPDM )	0.070	215 m
EM2-02			Glazing Gasket Outside ( EPDM )	0.055	270 m
EM3-01			Acoustical Gasket ( EPDM )	0.032	465 m
EM59-01			Central Gasket ( EPDM )	0.214	70 m
EM59-02			Central Gasket ( EPDM )	0.080	185 m

CODE	DRAWING	APPLICATION PROFILES	APPLICATION DETAIL
EM59T-501 ALUminium		59T-501-00	
EM59T-551 PERImetric		59T-551-00	
EM08-111		08-111-00	
EM15-200		Rod Profile (Euro Section I)	
EM10-01 (White)		Drainage Cap	
EM10-02 (Black)			
EM10-03 (Brown)			



CODE	DRAWING	APPLICATION PROFILES	APPLICATION DETAIL
LC-1826		59T-101-00	
		59T-103-00	
		59T-111-00	
		59T-113-00	
		59T-151-00	
		59T-152-00	
LC-1828		59T-201-00	
		59T-207-00	
		59T-208-00	
		59T-301-00	
		59T-503-00	
LC-3626		59T-102-00	
		59T-104-00	
		59T-253-00	
LC-4327		59T-202-00	
		59T-203-00	
		59T-254-00	
LC-1827		59T-301-00	
FUJI 2013		59T-101-00	
		59T-102-00	
		59T-103-00	
		59T-104-00	
		59T-111-00	
		59T-113-00	
		59T-201-00	
		59T-202-00	
		59T-203-00	
		59T-208-00	
		59T-301-00	
		59T-502-00	
		59T-503-00	
		59T-151-00	
		59T-152-00	
MO 20.1		59T-111-00	
		59T-113-00	

PROFILE CODE	DRAWING	PACKAGE CODE	QUANTITY	CUTTING SIZE	APPLICATION PROFILES	APPLICATION DETAIL
09-121-00		CC-121-25.5	80 pieces	25.5 mm	59T-251-00	
09-122-00		CC-122-04.5	77 pieces	04.5 mm	59T-101-00 59T-103-00 59T-111-00 59T-113-00 59T-201-00 59T-251-00 59T-207-00 59T-208-00 59T-301-00 59T-503-00	
09-122-00		CC-122-25.5	35 pieces	25.5 mm	59T-101-00 59T-103-00 59T-111-00 59T-113-00 59T-201-00 59T-207-00 59T-208-00 59T-301-00 59T-503-00	
09-123-00		CC-123-04.5	55 pieces	04.5 mm	59T-502-00	
09-124-00		CC-124-04.5	44 pieces	04.5 mm	59T-151-00 59T-152-00	
09-125-00		CC-125-04.5	44 pieces	04.5 mm	59T-102-00 59T-104-00	
09-125-00		CC-125-25.5	20 pieces	25.5 mm	59T-102-00 59T-104-00 59T-253-00	

PROFILE CODE	DRAWING	PACKAGE CODE	QUANTITY	CUTTING SIZE	APPLICATION PROFILES	APPLICATION DETAIL
09-105-00		CC-105-04.5	33 pieces	04.5 mm	59T-202-00	
					59T-203-00	
					59T-253-00	
					59T-254-00	
09-105-00		CC-105-26.5	15 pieces	26.5 mm	59T-202-00	
					59T-203-00	
					59T-253-00	



## SPECIAL EXTRUDED CORNER JOINT FOR PERIMETRIC

When you use PVC accessories with these Frames

59T-151-00 , 59T-152-00 , 59T-301-00

Use this corner joint

This corner joint for only Aubi A300 & GU Uni jet D

PROFILE CODE	DRAWING	PACKAGE CODE	QUANTITY	CUTTING SIZE	APPLICATION PROFILES	APPLICATION DETAIL
09-154-00		CC-105-25.5	35 pieces	25.5 mm		
					59T-151-00	
					59T-152-00	
					59T-301-00	